

Active Speaker System

Operating Instructions Manual de instrucciones

For Mac OS users
Para usuarios de Mac OS

SRS-T10PC

© 2005 Sony Corporation Printed in China

<http://www.sony.net/>

English

Before operating the unit, please read this manual thoroughly and retain it for future reference.

WARNING

To prevent fire or shock hazard, do not expose the unit to rain or moisture.

To avoid electrical shock, do not open the cabinet. Refer servicing to qualified personnel only.
To prevent fire, do not cover the ventilation of the apparatus with news papers, table-cloths, curtains, etc. Do not place lighted candles on the apparatus.
To prevent fire or shock hazard, do not place objects filled with liquids, such as vases, on the apparatus.

Do not install the appliance in a confined space, such as a bookcase or built-in cabinet.

CAUTION

You are cautioned that any changes or modification not expressly approved in this manual could void your authority to operate this equipment.

For the customers in the U.S.A.

INFORMATION

This equipment has been tested and found to comply with the limits for a Class B digital device, pursuant to Part 15 of the FCC Rules. These limits are designed to provide reasonable protection against harmful interference in a residential installation. This equipment generates, uses, and can radiate radio frequency energy and, if not installed and used in accordance with the instructions, may cause harmful interference to radio communications. However, there is no guarantee that interference will not occur in a particular installation. If this equipment does cause harmful interference to radio or television reception, which can be determined by turning the equipment off and on, the user is encouraged to try to correct the interference by one or more of the following measures:

- Reorient or relocate the receiving antenna.
- Increase the separation between the equipment and receiver.
- Connect the equipment to an outlet on a circuit different from that to which the receiver is connected.
- Consult the dealer or an experienced radio/TV technician for help.

If you have any questions about this product, you may call:
Sony Customer Information Services Center
1-800-222-7669 or <http://www.sony.com/>

Customer Support

The following URL contains information on the latest customer support for the speaker, and frequently asked questions and answers.

Customers in the U.S.A.
<http://www.sonymstyle.com/support>

Declaration of Conformity
Trade Name: SONY
Model No.: SRS-T10PC
Responsible Party: Sony Electronics Inc.
Address: 16530 Via Esprillo,
San Diego, CA 92127 USA
Telephone No.: 858-942-2230

This device complies with Part 15 of the FCC Rules. Operation is subject to the following two conditions:
(1) This device may not cause harmful interference, and
(2) this device must accept any interference received, including interference that may cause undesired operation.

- Mac, Mac OS, Macintosh are registered trademarks of Apple Computer, Inc in the United States and/or other countries.
- PowerPC is registered trademarks of International Business Machines Corporation in the United States and/or other countries.
- All other names of systems and products are trademarks or registered trademarks of their respective owners.™ and ® marks are omitted in this manual.

Features

Compact design

- Compact, portable speaker system to carry along with your laptop. With a USB connection to your computer, clear sound is readily available.
- This system utilizes the USB bus power; the connection of the AC power adaptor or batteries are not necessary. (Note that when your computer is running on batteries, the life span of the battery is reduced.)
- The USB cable can be stored within the speakers.

Simple settings

- Requires a simple USB cable connection only.

Clear sound

- Newly developed 39 mm, thin type speaker provides clear, balanced sound.

Precautions

- After operating the system, disconnect the USB cable from the computer if the system is not to be used for an extended period.
- Do not open the cabinet. Refer servicing to qualified personnel only.
- Do not leave the system in a location near heat sources, or in a place subject to direct sunlight, excessive dust, moisture, rain or mechanical shock.
- Should any solid object or liquid fall into the system, remove the USB cable and have the system checked by qualified personnel before operating it any further.
- Do not use alcohol, benzine, or thinner to clean the cabinet.
- Although this system is magnetically shielded, do not leave recorded tapes, watches, personal credit cards or floppy disks using magnetic coding in front of the system for an extended period.

If the TV picture or monitor display is magnetically distorted

Although this system is magnetically shielded, there may be cases that the picture on some TV sets/personal computers sets may become magnetically distorted. In such a case, turn off the power of the TV set/personal computer set once, and after 15 to 30 minutes turn it on again. For the personal computer set, take the appropriate measures such as data storage before turning it off.

When there seems to be no improvement

Locate the system farther away from the TV set/personal computer set. Furthermore, be sure not to place objects in which magnets are attached or used near the TV set/personal computer set, such as audio racks, TV stands, toys etc. These may cause magnetic distortion to the picture.

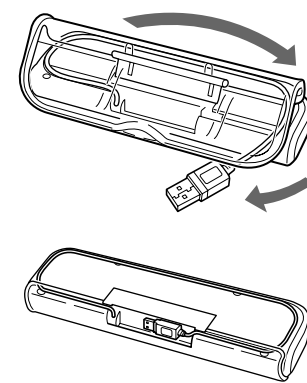
If you have any questions or problems concerning your system that are not covered in this manual, please consult your nearest Sony dealer.

Setting the speaker (see fig. A)

- 1 Open the cover.
- 2 Pull out the USB cable from the system storage section.
- 3 Stand the speaker on the cover.

Putting the USB cable back in the system storage section

See illustration.



Preparations

Preparation 1: Connection (see fig. B)

- 1 Pull out the USB cable from the system storage section.
- 2 Connect the USB cable to the USB connecting terminal of your computer.

Notes on USB connection

- If your computer is connected to other USB devices via a hub, there may be no sound or malfunction may occur. Connect the system directly to your computer with the USB cable to avoid a problem.
- If the USB cable is not properly connected, the system may not be recognized by your computer. Check the direction of the USB connecting terminal and connect it properly.

Preparation 2: Installation of device drivers (Mac OS X)

The device drivers have to be installed, when connecting to the USB connecting terminal of your computer for the first time.

The device drivers are included in Mac OS X and are not supplied with the system.
For details, refer to the manual of your computer.

- 1 Switch on your computer and start Mac OS X.
- 2 Connect the system to your computer.
- 3 Select "Apple menu" - "System Preferences" from "Menu bar."
- 4 Click the "Sound" icon and open "Sound."
- 5 Click "Output."
- 6 Select "C-Media USB Headphone Set" in the [Choose a device for sound output] menu.

Note

You need not perform the above installation procedure when connecting for the second time or later. (For different USB connecting terminals, you may have to install again.)

How to use (see fig. C)

Before starting, refer to "Setting the speaker."

1 Switch on the computer.

The POWER indicator lights up.

Note

When connecting the system to your computer, the volume of your computer may increase to the maximum level. Turn down the volume of your computer before playing the music software.

2 Start the software for replaying the music in your computer.

Note

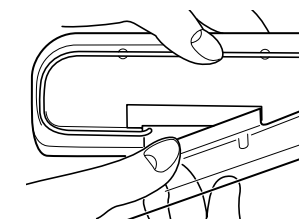
If the system is connected while the music software is running in your computer, music may not come from the system. Stop the music software once and start again. Music can be heard from the system.

To adjust the volume

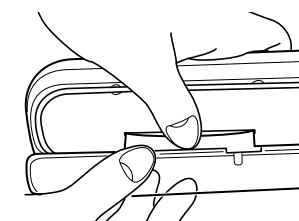
To set the appropriate volume, adjust the volume control of your computer.

If the cover is detached

- 1 Insert one side of the hook of the cover in the rear hole.



- 2 Insert the other side of the hook in the rear hole.



Notes on use

- If the volume is too low, the volume of the computer may be set at a low level. Check the computer's volume from the system preferences. The volume may differ, depending on the software's recording levels.
- If you can only hear music from the system with the computer running on batteries, battery charge has dropped. Use the AC adaptor when using the system for an extended period.
- Do not continuously cause the "Beep" to sound in your system, to avoid reducing battery life span or malfunction from excess current.
- Do not use the system via a USB hub or USB extension cable as a malfunction may occur. Connect the system directly to the USB connecting terminal of your computer.
- When connecting the system to the USB connecting terminal of your computer, do not pull out or insert the plug repeatedly or forcibly as the system may not be recognized by computer, there may be no sound from the system, or the system may malfunction.
- Connect the system to the USB connecting terminal of your computer. For details, refer to the manual of your computer.
- When checking the connection between the system and the computer, check the system preferences of the computer. For details, refer to the manual of your computer.
- When the computer has two or more USB connecting terminals, the system may not be used with other USB devices at the same time as low-output, sound skipping or noise may occur. For details, refer to the manual of your computer.
- Operations are not guaranteed with upgraded Mac OS and non-compliant OS.
- Sony recommends a PowerPC G3 CPU speed of 500 MHz or faster. If the requirements of the CPU is insufficient, or when other applications are running simultaneously, reading data may skip and cause noise or intermittent sound.
- If the sound from the speakers is distorted, or noise is excessive, adjust the volume of the computer through the system preferences.
- If the sound from the alarm of your computer and that of playback is unbalanced, adjust by following the manual of your computer.
- Sony recommends that you take a back up of important data before installing the USB device drivers. Sony will not be responsible in the case that the computer cannot be used or data is lost due to a mistaken operation or breakdown.
- When using the suspension resume function (system suspend, system hibernation, etc.), the system speakers may not work correctly. In such a case, restart either the application or the computer.
- Do not disconnect and reconnect the USB cable while playing music in a CD player or in a media player. It may cause a malfunction or a breakdown.
- Do not disconnect and reconnect the USB cable of the system while running music playback software as a malfunction may occur. If, however, you have disconnected and connected the USB cable, restart it after shutting down any currently running software.
- If the USB plug is inclined or is connected slowly between the system to the USB connecting terminal, malfunction may occur. Connect the plug squarely and promptly. If your computer malfunctions, reconnect the system to your computer or restart your computer.
- If you start the music playback software soon after the system is connected to your computer, malfunction may occur. Start the software 5 seconds after the system is connected.

Troubleshooting

Sound is distorted.

- The input signal is too high.
- Reduce the volume of the computer.
- Depending on the software you are using, the plot comes closer to being flat by adjusting the equalizer.

Sound is low.

The volume control of the computer or the volume of the music playback software must be turned down.

- Adjust the volume control of your computer.

There is no sound.

- The USB cable is not connected properly.
- Connect the USB cable properly.
- The system is connected while music software is being replayed.
- Stop playback of the music software and start again.
- The audio replaying device of your computer is not set correctly.
- Click "Output" in "Sound" of "System Preferences," and select "C-Media USB Headphone Set" in the [Choose a device for sound output] menu.
- The volume control of the computer or the music playback software is set at "Mute."
- Remove the mute.
- The USB port is not recognized.
- Restart after quitting the playback software. If the problem persists, restart your computer.

There is noise or no sound.

- The CPU of your computer is overloaded.
- Exit other applications.
- The system is being used via the USB hub.
- Connect the system directly to the USB connecting terminal of your computer.

For details on the operation of your computer, refer to the manual of your computer.

There can be some breakdowns that cannot be solved even with "Troubleshooting." In such cases, contact your nearest Sony dealer.

Specifications

Speaker section

Enclosure type	Full range, Bass reflex, magnetically shielded
Speaker system	39 mm
Impedance	4 Ω
Rated input power	0.25 W
Maximum input power	0.3 W

Amplifier section

Maximum output power	0.25 W + 0.25 W (10% T.H.D., 1 kHz, 4 Ω)
Input	USB cable, Type A plug, Approx. 30 cm (11 7/8 inch)

System required

Compliant computer	Macintosh computer with USB port
Compliant OS*	Mac OS X version 10.2 or later
Recommended CPU	PowerPC G3 500 MHz or faster

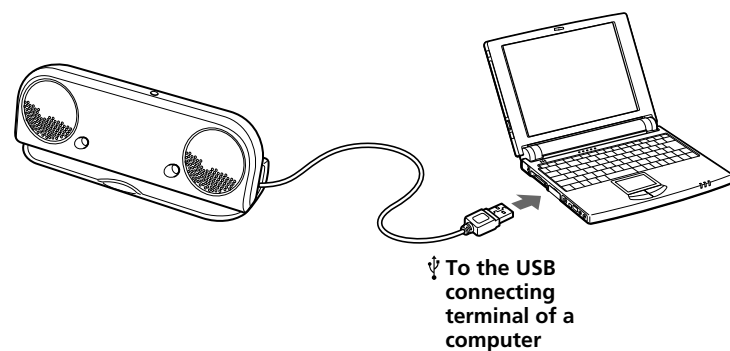
General

Power supply	USB bus power compliant (5 V, 500 mA or less)
Dimensions (w × h × d)	Approx. 170 × 60 × 24 mm (6 3/4 × 2 3/8 × 1 1/2 inch)
Mass	Approx. 190 g (7 oz.)
Supplied accessory	Operating instructions (1)

Design and specifications are subject to change without notice.

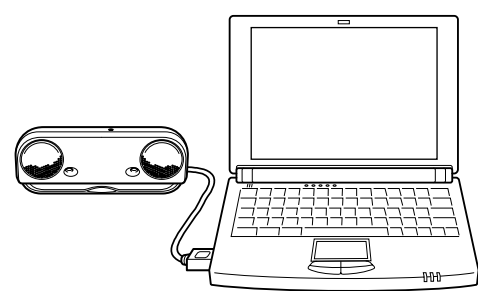
* Complies with the original manufacturer-installed English operating system. Trouble-free operations are not guaranteed for all computers with the above systems installed.

B

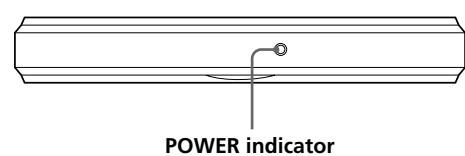


C

Image



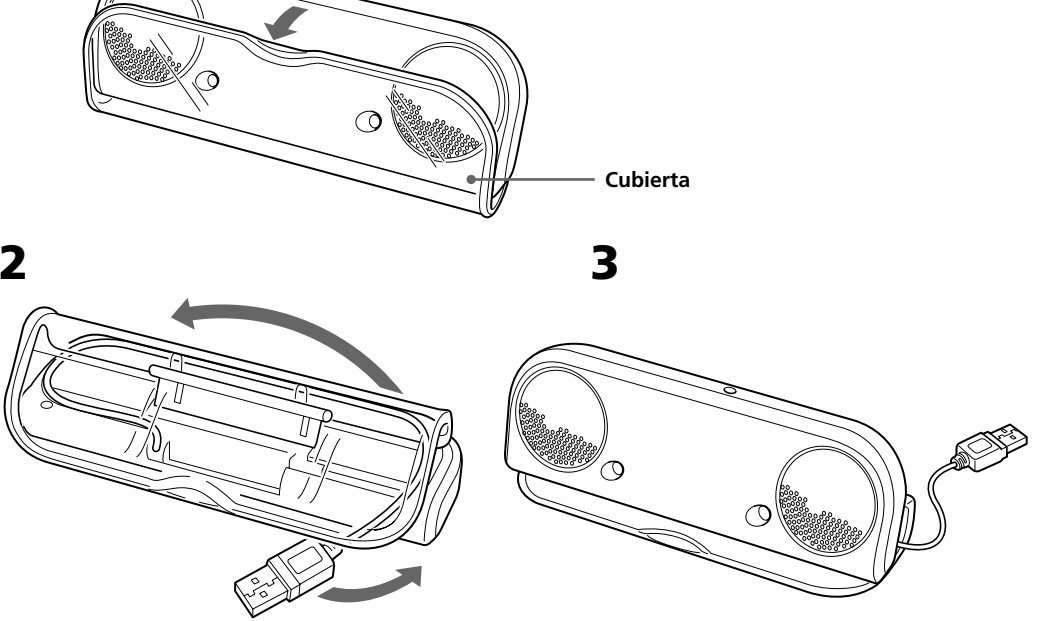
1



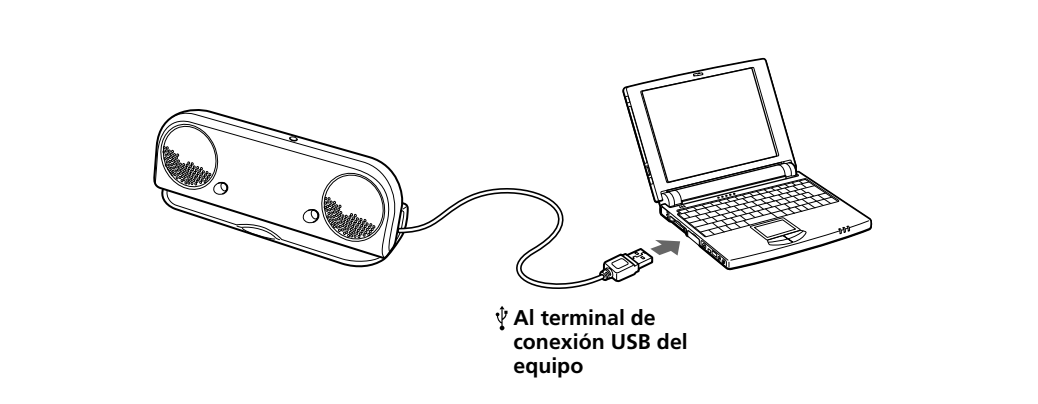
POWER indicator

A

1

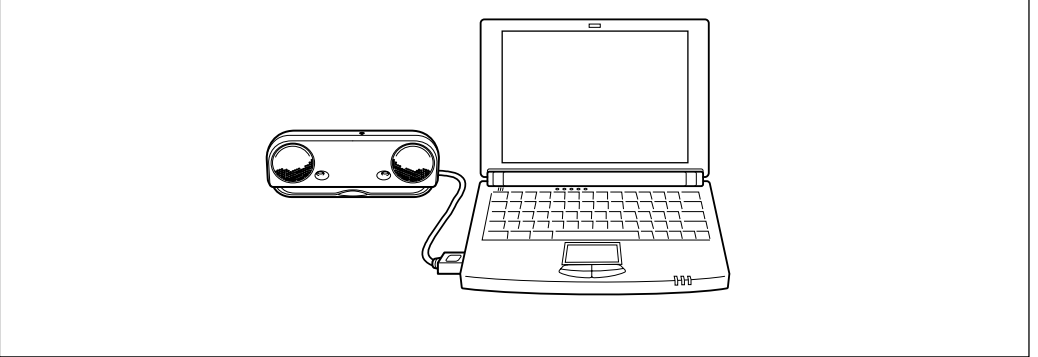


B

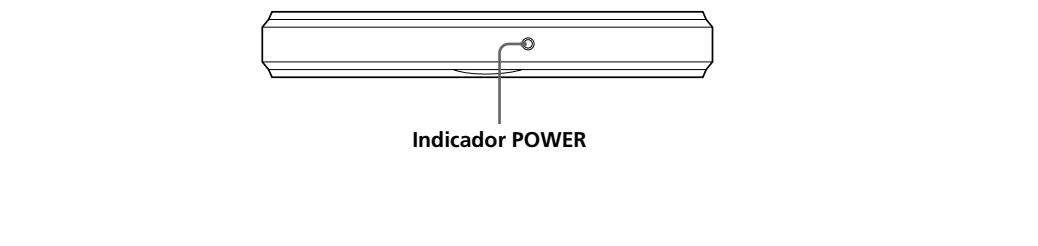


C

Imagen



1



Español

Antes de utilizar la unidad, lea este manual atentamente y consérvelo para consultarlo en el futuro.

Para los clientes en México
Sistema de altavoces activo
POR FAVOR LEA DETALLADAMENTE ESTE MANUAL DE INSTRUCCIONES ANTES DE CONECTAR Y OPERAR ESTE EQUIPO. RECUERDE QUE UN MAL USO DE SU APARATO PODRÍA ANULAR LA GARANTÍA.

ADVERTENCIA

Para evitar incendios o riesgo de electrocución, no exponga la unidad a la lluvia ni a la humedad.

Para evitar descargas eléctricas, no abra la unidad. En caso de avería, solicite los servicios de personal cualificado solamente.

Para evitar el riesgo de incendio, no cubra la ventilación del aparato con periódicos, manteles, cortinas, etc., ni ponga velas encendidas encima del aparato. Para evitar el riesgo de incendio o electrocución, no coloque sobre el aparato objetos que contengan líquidos como, por ejemplo, un jarrón.

No instale el aparato en un espacio cerrado, como una estantería para libros o un armario empotrado.
--

Asistencia al cliente

La siguiente dirección URL contiene información acerca del servicio de soporte a clientes más actualizado para el altavoz y las preguntas más frecuentes.

Para los clientes en los EE.UU.
http://www.sonymstyle.com/support

- Mac, Mac OS y Macintosh son marcas registradas de Apple Computer, Inc en los Estados Unidos y/u otros países.
- PowerPC es una marca registrada de International Business Machines Corporation en los Estados Unidos y/u otros países.
- Todos los demás nombres de sistemas y productos son marcas comerciales o marcas comerciales registradas de sus respectivos propietarios. Las marcas ™ y ® se omiten en este manual.

Características

Diseño compacto

- Sistema de altavoces compacto y portátil para llevarlo con el ordenador portátil. Con la conexión USB al ordenador, dispondrá enseguida de sonido muy claro.
- Este sistema utiliza la alimentación del bus USB, no es necesario conectar ninguna batería ni adaptador de alimentación de ca. (Tenga en cuenta que cuando el ordenador funciona con la batería, se reducirá la vida útil de la batería.)
- El cable USB puede guardarse dentro de los altavoces.

Ajustes sencillos

- Sólo se requiere una conexión de cable USB.

Sonido claro

- Los nuevos altavoces de 39 mm de tipo plano ofrecen sonido claro y equilibrado.

Precauciones

- Si no va a utilizar el sistema durante un período de tiempo prolongado, desconecte el cable USB del equipo al finalizar el uso.
- No abra la unidad. Solicite asistencia técnica únicamente a personal cualificado.
- No deje el sistema cerca de fuentes de calor, ni en lugares expuestos a la luz solar directa, polvo excesivo, humedad, lluvia o golpes mecánicos.
- Si se introduce algún objeto sólido o líquido en el sistema, retire el cable USB y hágalo revisar por personal cualificado antes de seguir utilizándolo.
- No utilice alcohol, bencina o disolvente para limpiar la unidad.
- Aunque este sistema está magnéticamente protegido, no deje cintas grabadas, relojes, tarjetas de crédito ni disquetes que utilicen codificación magnética frente al sistema durante un largo período de tiempo.

Si la imagen del televisor o la pantalla del monitor aparece distorsionada debido al magnetismo

Aunque este sistema está magnéticamente protegido, es posible que, en ocasiones, la imagen de algunos computadores personales o televisores se distorsione debido al magnetismo. En tal caso, desactive una vez la alimentación del televisor o del computador personal y, transcurridos de 15 a 30 minutos, vuelva a activarla. En el caso del computador personal, tome las debidas medidas de precaución, como guardar los datos antes de desconectarlo.

Si el problema persiste

Coloque el sistema más alejado del televisor o del computador personal. Además, asegúrese de no colocar objetos que tengan o utilicen imanes cerca del televisor o del computador personal, como soportes de audio, soportes de televisor, juguetes, etc. Éstos podrían ser la causa de la distorsión magnética en la imagen.

Si tiene preguntas o problemas referentes al sistema y no encuentra la solución en este manual, póngase en contacto con su distribuidor Sony más cercano.

Colocación del altavoz (consulte la figura A)

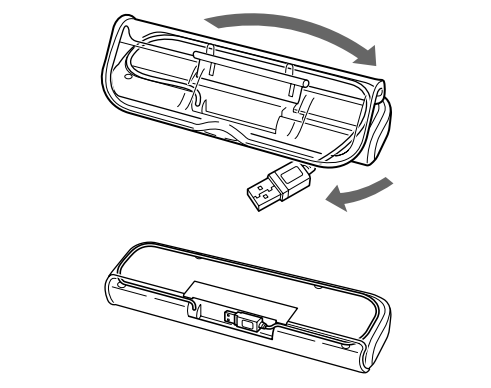
1 Abra la cubierta.

2 Tire del cable USB para sacarlo de la sección de almacenaje del sistema.

3 Coloque el altavoz sobre la cubierta.

Para volver a poner el cable USB en la sección de almacenaje del sistema

Vea la ilustración.



Preparativos

Preparativo 1: Conexión (consulte la figura B)

1 Extraiga el cable USB tirando de él desde la sección de almacenamiento del sistema.

2 Conecte el cable USB al terminal de conexión USB del equipo.

Notas sobre la conexión USB

- Si hay otros dispositivos USB conectados al ordenador a través de un concentrador, es posible que no se emita sonido o que se produzca un mal funcionamiento. Conecte el sistema directamente al ordenador con el cable USB para evitar problemas.
- Si el cable USB no está conectado correctamente, es posible que el equipo no reconozca el sistema. Compruebe la dirección del terminal de conexión USB y conéctelo correctamente.

Preparación 2: Instalación de los controladores de dispositivos (Mac OS X)

Los controladores de dispositivos se deben instalar al realizar la conexión con la terminal de conexión USB de su equipo por primera vez.

Los controladores de dispositivos están incluidos en Mac OS X y no son suministrados con el sistema.

Para mayor información, consulte el manual de su equipo.

1 Encienda su equipo e inicie Mac OS X.

2 Conecte el sistema a su equipo.

3 Seleccione “Apple menu” – “System Preferences” en la “Menu bar”.

4 Seleccione el icono de “Sound” y ábralo.

5 Haga clic en “Output”.

6 Seleccione “C-Media USB Headphone Set” en el menú [Choose a device for sound output].

Nota

No necesita realizar el procedimiento de instalación explicado anteriormente cuando no es la primera vez que realiza la conexión. (Para terminales de conexión USB diferentes, es posible que deba realizar la instalación nuevamente.)

Utilización (consulte la figura C)

Antes de comenzar, consulte el apartado “Colocación del altavoz”.

1 Encienda el ordenador

El indicador POWER se enciende.

Nota

Cuando conecte el sistema al ordenador, es posible que el volumen del ordenador aumente hasta el nivel máximo. Baje el volumen del ordenador antes de reproducir música.

2 Inicie el software de reproducción de música en el ordenador

Nota

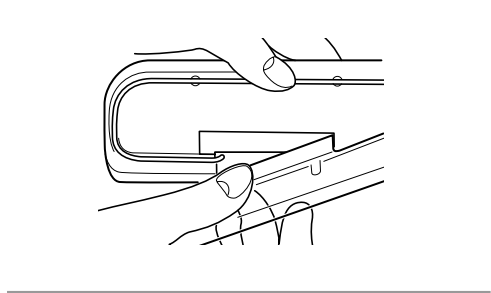
Si el sistema está conectado mientras se ejecuta el software de música en el ordenador, es posible que el sistema no emita música. Detenga el software de música una vez y reinicie. El sistema emitirá música.

Para ajustar el volumen

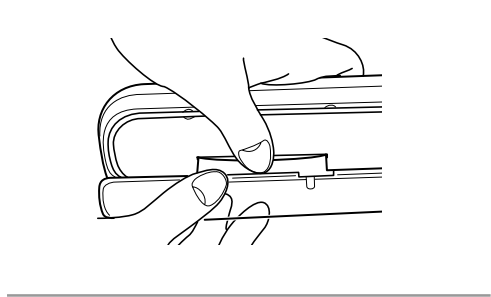
Para establecer el volumen apropiado, ajústelo con el control de volumen del ordenador.

Si se ha separado la cubierta

1 Inserte el gancho de la cubierta en el orificio posterior.



2 Inserte el otro lado de gancho en el orificio posterior.



Notas sobre el uso

- Si el volumen es demasiado bajo, es posible que el volumen del ordenador esté ajustado a un nivel bajo. Verifique el volumen del equipo desde las preferencias del sistema. El volumen puede variar en función de los niveles de grabación del software.
- Si sólo puede oír música del sistema cuando el ordenador funciona con la batería, significa que la batería está bastante descargada. Emplee el adaptador de alimentación de ca cuando utilice el sistema durante un período de tiempo prolongado.
- Procure que el sistema no emita pitidos continuamente; de este modo evitará que se reduzca la duración de la batería así como posibles fallos de funcionamiento provocados por un exceso de corriente.
- No utilice el sistema mediante un concentrador USB o un cable de extensión USB, ya que podrían producirse errores en el funcionamiento. Conecte el sistema directamente al terminal de conexión USB del equipo.
- Cuando conecte el sistema al terminal de conexión USB del equipo, no tire de la clavija ni la inserte de forma insistente o forzada, ya que el equipo podría no reconocer el sistema, el sistema podría no emitir sonido alguno o podrían producirse errores en el funcionamiento del mismo.
- Conecte el sistema al terminal de conexión USB del equipo. Si desea obtener información detallada, consulte el manual del equipo.
- Cuando verifique la conexión ente el sistema y el equipo, verifique también las preferencias del sistema del equipo. Si desea obtener más información, consulte el manual del ordenador.
- Si el equipo dispone de dos o más terminales de conexión USB, es posible que el sistema no pueda utilizarse con otros dispositivos USB al mismo tiempo, ya que podría producirse una emisión de baja intensidad, interrupciones en el sonido o ruidos. Si desea obtener más información, consulte el manual del equipo.
- No se garantizan las operaciones con versiones actualizadas de Mac OS o sistemas operativos que no cumplan con los requisitos.
- Sony recomienda un CPU PowerPC G3 de 500 MHz o mayor velocidad. Si la CPU no cumple los requisitos mínimos o si se ejecutan otras aplicaciones simultáneamente, la lectura de los datos podría saltarse, lo que provocaría ruido o sonido intermitente.
- Si el sonido de los altavoces se emite distorsionado o con excesivo ruido, ajuste el volumen del equipo mediante las preferencias del sistema.
- Si el sonido de alarma del ordenador y el de reproducción no están equilibrados, ajústelos siguiendo las instrucciones del manual del ordenador.
- Sony recomienda realizar una copia de seguridad de los datos importantes antes de instalar los controladores de dispositivo USB. Sony no se responsabilizará en caso de imposibilidad de uso del ordenador o de pérdida de datos debido a un funcionamiento incorrecto o a una avería.
- Cuando utilice la función de reanudación tras suspensión (suspensión del sistema, hibernación del mismo, etc.), es posible que los altavoces del sistema no funcionen correctamente. En tal caso, reinicie la aplicación o el ordenador.
- No desconecte ni vuelva a conectar el cable USB mientras reproduce música con un reproductor de CD o un reproductor multimedia. Si lo hace, es posible que se produzcan fallos de funcionamiento o incluso una avería.
- No desconecte ni vuelva a conectar el cable USB del sistema mientras reproduce música mediante un software porque podría producirse mal funcionamiento. Sin embargo, si ha desconectado y ha vuelto a conectar el cable USB, reinicie el sistema tras cerrar todas las aplicaciones de software abiertas.

- Si la clavija USB está inclinada o si se conecta lentamente entre el sistema y el terminal de conexión USB, pueden producirse errores en el funcionamiento. Conecte la clavija debidamente y con rapidez. Si el equipo no funciona correctamente, vuelva a conectarlo al sistema o reinicielo.
- Si empieza enseguida a reproducir música después de haber conectado el sistema al ordenador, puede producirse un mal funcionamiento. Inicie el programa de reproducción 5 segundos después de haber conectado el sistema.

Solución de problemas

El sonido está distorsionado.

La señal de entrada es demasiado alta.

- ➔ Baje el volumen del ordenador.
- ➔ En función del software que utilice, puede ajustar el equalizador para que la curva se haga más plana.

El sonido es bajo.

El control de volumen del ordenador o el volumen del programa musical que se reproduce tienen un nivel bajo.

- ➔ Ajuste el control de volumen del ordenador.

No se emite ningún sonido.

- El cable USB no está conectado correctamente.
- ➔ Conéctelo adecuadamente.
- El sistema se ha conectado mientras se reproducía el software de música.
- ➔ Detenga la reproducción del software de música y empiece de nuevo.
- El dispositivo de reproducción de audio de su equipo no está configurado correctamente.
- ➔ Haga clic en “Output” en “Sound” de las “System Preferences,” y seleccione “C-Media USB Headphone Set” en el menú [Choose a device for sound output].
- El control de volumen del ordenador o el software de reproducción de música se ha ajustado en “Mute”.
- ➔ Quite la función de silenciamiento.
- No se reconoce el puerto USB.
- ➔ Tras salir del software de reproducción, reinicie. Si el problema persiste, reinicie el ordenador.

Hay ruido o no se emite sonido.

- La CPU del ordenador está sobrecargada.
- ➔ Cierre las demás aplicaciones.
- Se está utilizando el sistema mediante un concentrador USB.
- ➔ Conecte el sistema directamente al terminal de conexión USB del equipo.

Para obtener más información acerca del funcionamiento del ordenador, consulte el manual de instrucciones suministrado con el mismo.

El apartado “Solución de problemas” no puede resolver todas las averías. En caso de avería que no pueda resolverse mediante este apartado, póngase en contacto con el distribuidor Sony más cercano.

Especificaciones

Sección de altavoces	
Tipo de caja acústica	Rango completo, reflector de graves, protección magnética
Sistema de altavoces	39 mm
Impedancia	4 Ω
Potencia de entrada nominal	0,25 W
Potencia de entrada máxima	0,3 W
Sección del amplificador	
Potencia máxima de salida	0,25 W + 0,25 W (10% THD, 1 kHz, 4 Ω)
Entrada	Cable USB, clavija tipo A, Aprox. 30 cm

Sistema requerido	
Ordenador compatible	Equipo Macintosh con puerto USB.
Sistemas operativos compatibles*	Mac OS X versión 10.2 o posterior
CPU recomendada	CPU PowerPC G3 de 500 MHz o mayor velocidad

Generales	
Fuente de alimentación	Compatible con alimentación mediante bus USB (5 V, 500 mA o menos)
Dimensiones (an x al x prf)	Aprox. 170 x 60 x 24 mm
Peso	Aprox. 190 g
Accesorio suministrado	Manual de instrucciones (1)

El diseño y las especificaciones están sujetos a cambios sin previo aviso.

* Compatible con el sistema operativo inglés instalado por el fabricante. No se garantiza el funcionamiento adecuado en todos los equipos que tienen instalados los sistemas indicados anteriormente.