

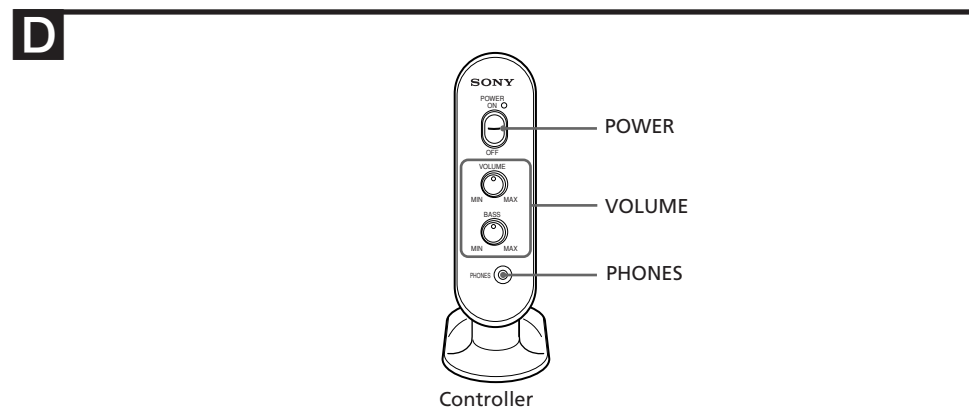
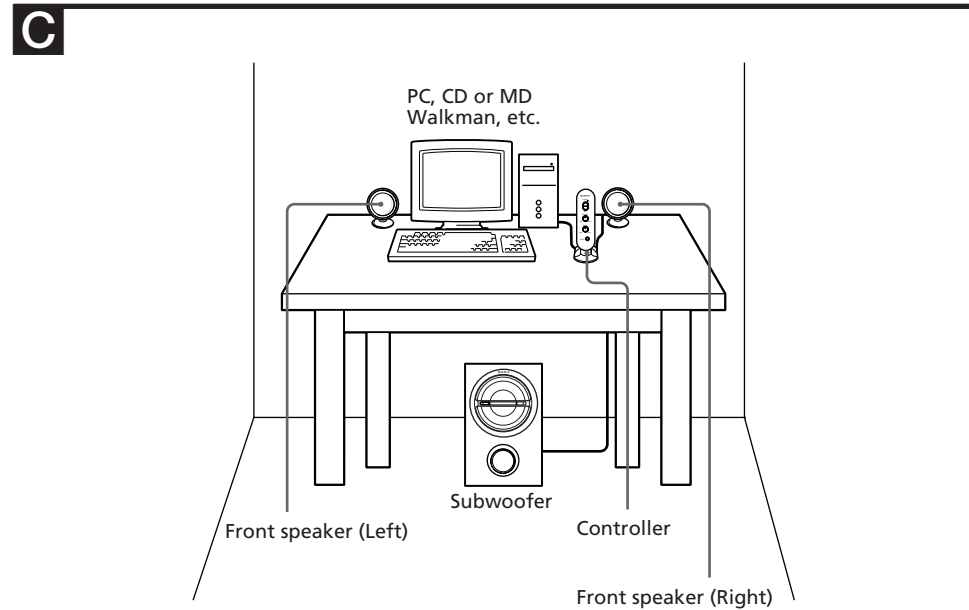
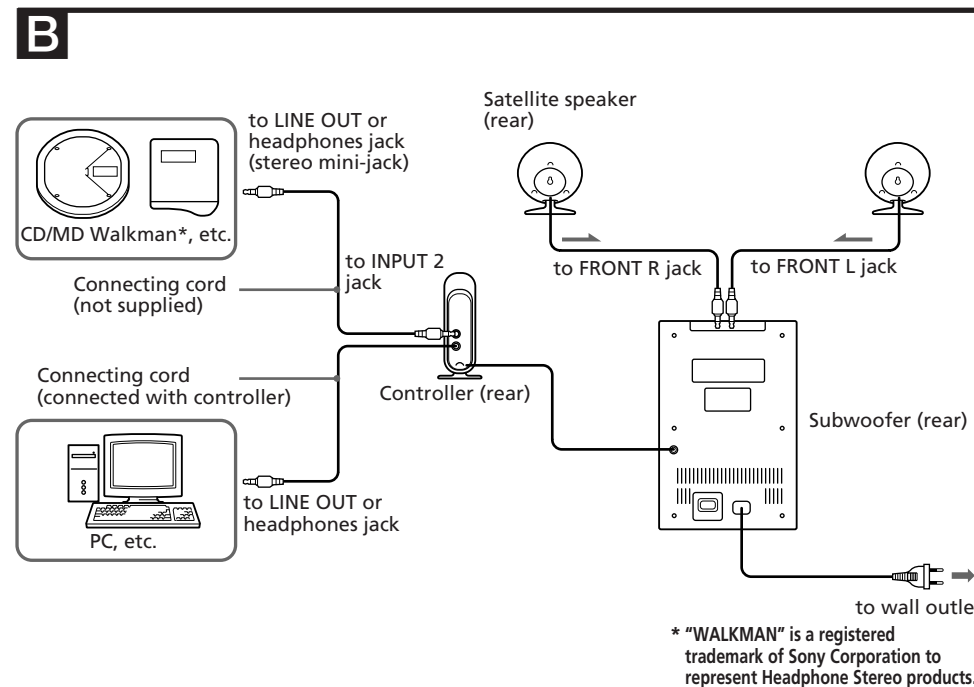
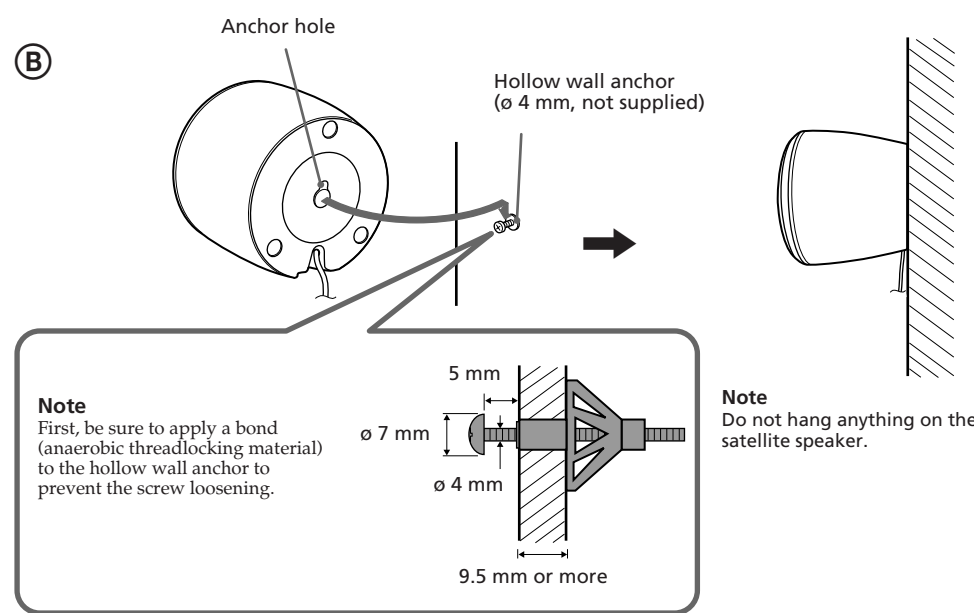
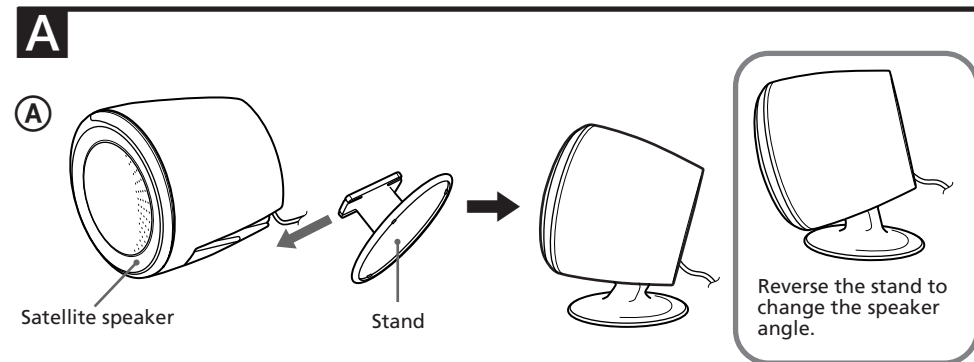
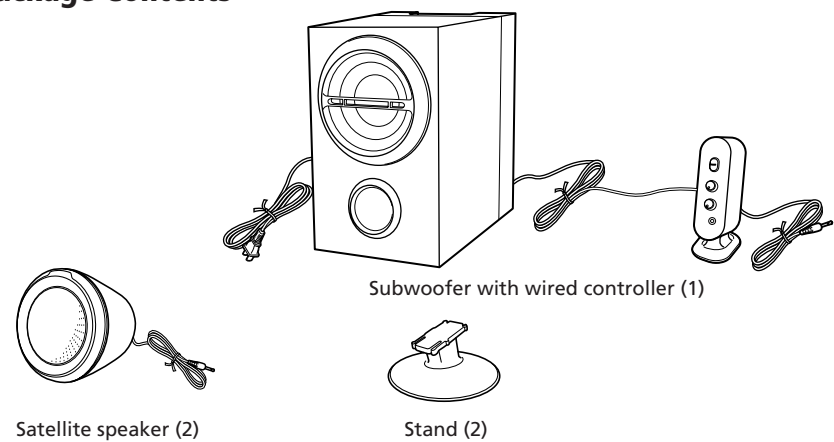
Active Speaker System

Operating Instructions
Mode d'emploi
Manual de instrucciones

SRS-D211

http://www.sony.net/
© 2005 Sony Corporation Printed in Malaysia

Package Contents



VOLUME: Controls total volume level.
BASS: Adjusts bass level (Subwoofer).
PHONES: Connect the headphones for personal listening.

English

Before operating the unit, please read this manual thoroughly and retain it for future reference.

WARNING

To prevent fire or shock hazard, do not expose the unit to rain or moisture.
To avoid electrical shock, do not open the cabinet. Refer servicing to qualified personnel only.
To prevent fire, do not cover the ventilation of the apparatus with news papers, table-cloths, curtains, etc. Do not place lighted candles on the apparatus.
To prevent fire or shock hazard, do not place objects filled with liquids, such as vases, on the apparatus.

Do not install the appliance in a confined space, such as a bookcase or built-in cabinet.

CAUTION

You are cautioned that any changes or modification not expressly approved in this manual could void your authority to operate this equipment.

NOTICE FOR THE CUSTOMERS IN THE USA



This symbol is intended to alert the user to the presence of uninsulated "dangerous voltage" within the product's enclosure that may be of sufficient magnitude to constitute a risk of electric shock to persons.

This symbol is intended to alert the user to the presence of important operating and maintenance (servicing) instructions in the literature accompanying the appliance.

Precautions

On safety
The nameplate indicating operating voltage, power consumption, etc., is located on the rear exterior.

• Before operating the system, be sure that the operating voltage of the system is identical with that of your local power supply.

Where purchased	Operating voltage
U.S.A./Canada	120 V AC, 60 Hz
European countries	220 - 230 V AC, 50 Hz
Other countries	• 120 V AC, 60 Hz • 220 - 230 V AC, 50 Hz

- The unit is not disconnected from the AC power source (mains) as long as it is connected to the wall outlet, even if the unit itself has been turned off.
- Unplug the system from the wall outlet if it is not to be used for an extended period of time. To disconnect the cord, pull the cord by grasping the plug. Never pull the cord itself.
- Should any liquid or solid object fall into the system, unplug the system's power cord and have the system checked by qualified personnel before operating it any further.
- The AC power cord should be changed only at a qualified service shop.
- For efficient heat dissipation, ensure there is sufficient space to the rear of the subwoofer. Also, avoid placing objects on the unit.
- Do not insert your hand or any objects into the hole of the subwoofer.

On operation

- Do not drive the speaker system with a continuous wattage exceeding the maximum input power of the system.
- Before connecting, turn off the speaker system, the PC and audio component to avoid damaging the speaker system.
- The volume level should not be turned up to the point of distortion.
- Although this system is magnetically shielded, do not leave recorded tapes, watches, personal credit cards or floppy disks using magnetic coding in front of the system for an extended period of time.

If the TV picture or monitor display is magnetically distorted

Although this system is magnetically shielded, there may be cases that the picture on some TV sets/personal computers may become magnetically distorted. In such a case, turn off the power of the TV set/personal computer once, and after 15 to 30 minutes turn it on again. In the case of a personal computer, take appropriate measures, such as data storage, before turning it off. When there seems to be no improvement, locate the system farther away from the TV set/personal computer. Furthermore, be sure not to place objects in which magnets are attached or used near the TV set/personal computer, such as audio racks, TV stands, toys etc. These may cause magnetic distortion to the picture due to their interaction with the system.

On placement

- Do not set the speakers in an inclined position.
- Do not leave the system in a location near heat sources, or in a place subject to direct sunlight, excessive dust, moisture, rain or mechanical shock.
- Do not install the satellite speaker anywhere other than on a wall.
- Do not hang anything on the satellite speaker.

On cleaning

Do not use alcohol, benzene, or thinner to clean the cabinet.

If you have any questions or problems concerning your speaker system, please consult your nearest Sony dealer.

Installing the satellite speakers

(See fig. A)

The satellite speaker can be used either placed on a desk or attached to a wall.

When you use the satellite speaker on a desk (See fig. A-Ⓐ)

By attaching the stand to the satellite speaker, it can be placed on a desk.

1 Slide the stand into the slot at the bottom of the satellite speaker.

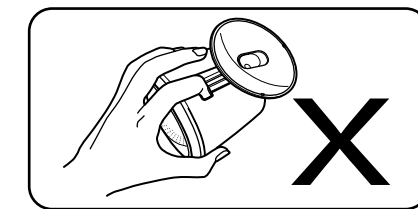
The stand allows you to adjust the satellite speaker to the desired angle.

2 Ensure the stands are locked.

Push the stand into the slot until a "click" sound is heard.

Note

Do not put your finger into the slot of the satellite speaker when you lock the stand. It may cause an injury to your finger.



When you use the satellite speaker attached to a wall (See fig. A-Ⓑ)

The satellite speaker can be attached to a wall. Follow the Notes (below) to install safely. Improper installation may result in the speaker falling and causing bodily injury or damage to the speaker or other object.

1 Secure the hollow wall anchor in the wall — refer to the illustration.

Notes

- Confirm wall thickness is sufficient. A minimum thickness of 9.5 mm is recommended for plasterboard.
- Use the specified clamp (hollow wall anchor, not supplied) when attaching to plasterboard.
- Refer to the supplied operating instructions using a hollow wall anchor.
- Use wall anchors of at least 20 kg hanging capacity.
- Refer to the instruction supplied with hollow wall anchor.
- Requires ϕ 4 mm hollow wall anchor.
- Set up the head of a hollow wall anchor 5 mm from the wall.
- Apply a bond (anaerobic threadlocking material) to the hollow wall anchor to prevent the screw loosening.

2 Attach the satellite speaker to the wall. Insert the wall anchor in the anchor hole of the satellite speaker.

Notes

- Detach the stand from the satellite speaker before attaching to the wall.
- Ensure that the satellite speaker is securely attached to the wall before use.

Hooking up the system

(See fig. B)

1 Connect the satellite speakers to the subwoofer.

Confirm the location of the satellite speakers, and then connect to their respective jacks.

2 Connect the controller to the source equipment.

— PC, etc.:
Connect the controller and the LINE OUT or headphones jack of a PC, etc. with the connecting cord (connected with the controller). For details, refer to the operating instructions of the PC.

— CD/MD Walkman, etc.:
Connect the INPUT 2 jack of the controller and the LINE OUT or headphones jack of a CD/MD Walkman, etc. The connecting cord is not supplied with this system.

Note

Turn on either of the connected equipment to listen to its sound.

3 Connect the subwoofer to the wall outlet.

4 Position the speakers. (See fig. C)

Listening to the sound (See fig. D)

First, turn down the volume on the controller. The volume should be set to minimum before you begin playing the programme source.

1 Set the POWER switch to ON on the controller.

The POWER indicator lights up.

2 Turn on the desired equipment connected to the controller.

Note
Do not turn on both connected equipments as it may cause double sound.

3 Adjust the VOLUME control on the controller.

You can adjust the volume of the subwoofer and each satellite speaker.
When connecting to the headphone output, also adjust the volume of the connected component. After listening, set the POWER switch to OFF. The POWER indicator goes off.

Using the headphones/earphones

Connect the headphones/earphones to the PHONES jack on the controller.

Note

Turn off the MEGA BASS or BASS BOOST (Walkman, etc.) function as it may cause audible distortion.

Troubleshooting

Should you encounter a problem with your speaker system, check the following list and take the indicated measures. If the problem persists, consult your nearest Sony dealer.

There is no sound from the speaker system.

- Make sure all the connections have been correctly made.
- Make sure the VOLUME dial and the each speaker's volume dial on the controller have been turned up properly.
- Make sure the connected component has been turned up properly.
- Check if the headphones are connected. If they are, disconnect them.

The sound is distorted.

- Turn down the volume level on the connected component. Or, if the connected component has a BASS BOOST function, set it to off.
- Rotate BASS on this unit to reduce the bass volume.
- Turn VOLUME on this unit down to reduce the volume.

There is hum or noise in the speaker output.

- Make sure all the connections have been correctly made.
- Make sure none of the audio components are positioned too close to the TV set.

The sound has suddenly stopped.

Make sure all the connections have been correctly made.

The brightness of the POWER indicator is unstable.

The brightness of the POWER indicator may become unstable when the volume is turned up. This is not a malfunction.

Specifications

Speaker section

Satellite speaker	
Speaker system	Full range, magnetically shielded
Speaker units	5.7 cm, cone type
Enclosure type	Closed type
Impedance	4 Ω
Cord length	2 m
Subwoofer	
Speaker system	Woofer
Speaker units	12 cm, cone type
Enclosure type	Bass reflex
Impedance	8 Ω

Amplifier section

Rated output	5 W (10% T.H.D., 1 kHz, 4 Ω) (Satellite speaker) 25 W (10% T.H.D., 100 Hz, 8 Ω) (Subwoofer)
Input	Connecting cord with stereo mini plug (1.8m) \times 1 Stereo mini jack \times 1 (INPUT 2)
Input impedance	4.7 k Ω (at 1 kHz)
Output	Stereo mini jack \times 1 (PHONES)

General

Dimensions (w/h/d)	Approx. 50 \times 140 \times 99 mm (2 \times 5 1/2 \times 4 in.) (Controller) Approx. 98 \times 124 \times 84 mm (3 7/8 \times 5 \times 3 3/8 in.) (Satellite speaker, on a desk) Approx. 98 \times 98 \times 83 mm (3 7/8 \times 3 7/8 \times 3 1/8 in.) (Satellite speaker, attached to a wall) Approx. 163 \times 267 \times 301 mm (6 3/8 \times 10 7/16 \times 11 7/16 in.) (Subwoofer)
Mass	Approx. 134 g (5 oz.) (Controller) Approx. 294 g (10 oz.) (Satellite speaker) Approx. 4.2 kg (9 lb. 4 oz.) (Subwoofer)
Cord length	2 m (Controller to subwoofer) 2 m (Power cord)
Power consumptions	18 W

Optional accessories

Connecting cord RK-G136, RK-G138
Plug adaptor PC-236M5

Design and specifications are subject to change without notice.

This warranty is valid only in the United States.

SONY

Portable Audio

LIMITED WARRANTY (U.S. Only)

Sony Electronics Inc. ("Sony") warrants this product against defects in material or workmanship for the time periods and as set forth below. Pursuant to this Limited Warranty, Sony will, at its option, (i) repair the product using new or refurbished parts or (ii) replace the product with a new or refurbished product. For purposes of this Limited Warranty, "refurbished" means a product or part that has been returned to its original specifications. **In the event of a defect, these are your exclusive remedies.**

Labor: For a period of ninety (90) days from the original date of purchase of the product ("Labor Warranty"), Sony will, at its option, repair or replace with new or refurbished product, product determined to be defective. If Sony elects to replace the product after this Labor Warranty has expired but while the Parts Warranty below is still in effect, it will do so for the applicable labor charge.

Parts: For a period of one (1) year from the original date of purchase of product ("Parts Warranty"), Sony will supply new or refurbished replacement parts in exchange for parts determined to be defective.

This Limited Warranty covers only the hardware components packaged with the Product. It does not cover technical assistance for hardware or software usage and it does not cover any software products whether or not contained in the Product; any such software is provided "AS IS" unless expressly provided for in any enclosed software Limited Warranty. Please refer to the End User License Agreements included with the Product for your rights and obligations with respect to the software.

Instructions: To obtain warranty service, you must deliver the product, freight prepaid, in either its original packaging or packaging affording an equal degree of protection to the Sony authorized service facility specified. **It is your responsibility to backup any data, software or other materials you may have stored or preserved on your unit. It is likely that such data, software, or other materials will be lost or reformatted during service and Sony will not be responsible for any such damage or loss.** A dated purchase receipt is required. For specific instructions on how to obtain warranty service for your product.

Visit Sony's Web Site:
www.sony.com/service

Or call the Sony Customer Information Service Center
1-800-222-SONY (7669)

For an accessory or part not available from your authorized dealer, call:

1-800-488-SONY (7669)

Repair / Replacement Warranty: This Limited Warranty shall apply to any repair, replacement part or replacement product for the remainder of the original Limited Warranty period or for ninety (90) days, whichever is longer. Any parts or product replaced under this Limited Warranty will become the property of Sony.

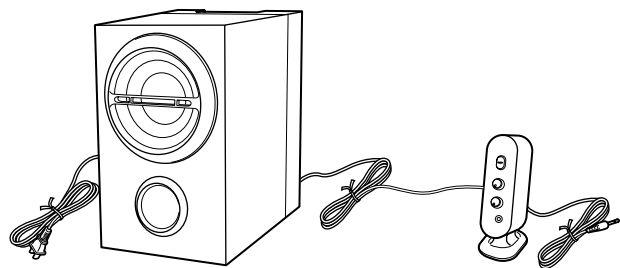
This Limited Warranty only covers product issues caused by defects in material or workmanship during ordinary consumer use; it does not cover product issues caused by any other reason, including but not limited to product issues due to commercial use, acts of God, misuse, limitations of technology, or modification of or to any part of the Sony product. This Limited Warranty does not cover Sony products sold AS IS or WITH ALL FAULTS or consumables (such as fuses or batteries). This Limited Warranty is invalid if the factory-applied serial number has been altered or removed from the product. This Limited Warranty is valid only in the United States.

LIMITATION ON DAMAGES: SONY SHALL NOT BE LIABLE FOR ANY INCIDENTAL OR CONSEQUENTIAL DAMAGES FOR BREACH OF ANY EXPRESS OR IMPLIED WARRANTY ON THIS PRODUCT.

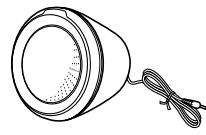
DURATION OF IMPLIED WARRANTIES: EXCEPT TO THE EXTENT PROHIBITED BY APPLICABLE LAW, ANY IMPLIED WARRANTY OF MERCHANTABILITY OR FITNESS FOR A PARTICULAR PURPOSE ON THIS PRODUCT IS LIMITED IN DURATION TO THE DURATION OF THIS WARRANTY.

Some states do not allow the exclusion or limitation of incidental or consequential damages, or allow limitations on how long an implied warranty lasts, so the above limitations or exclusions may not apply to you. This Limited Warranty gives you specific legal rights and you may have other rights which vary from state to state.

Contenu de l'emballage / Contenido del paquete



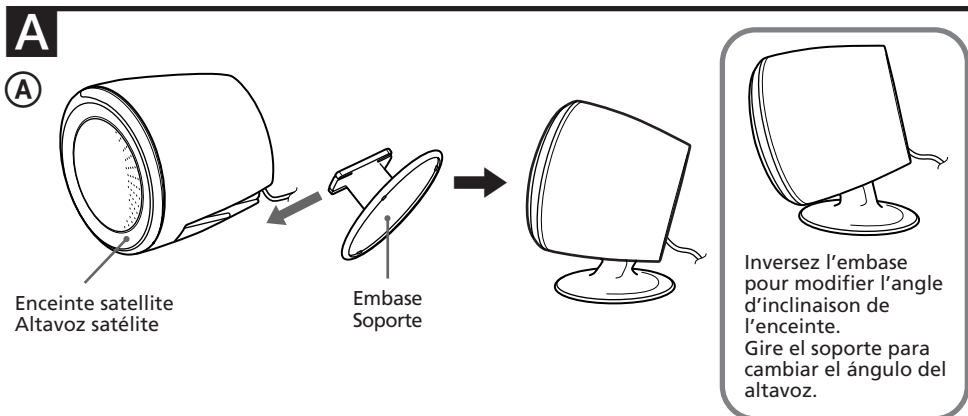
Caisson de graves avec boîtier de commande raccordé (1)
Altavoz potenciador de graves con controlador conectado (1)



Enceinte satellite (2)
Altavoz satélite (2)



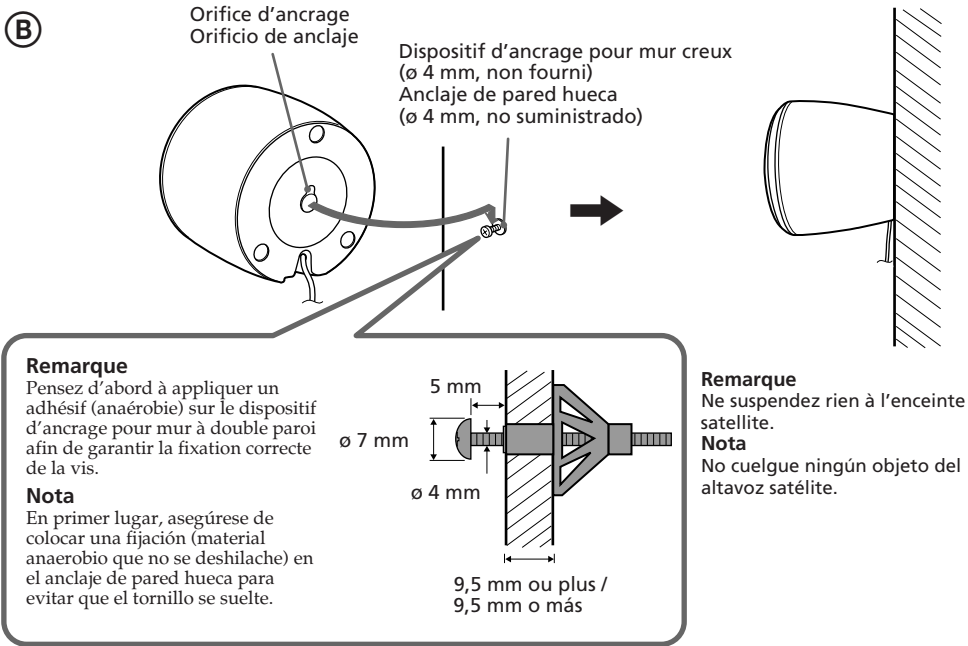
Embase (2)
Soporte (2)



Enceinte satellite
Altavoz satélite

Embase
Soporte

Inversez l'embase pour modifier l'angle d'inclinaison de l'enceinte. Gire el soporte para cambiar el ángulo del altavoz.



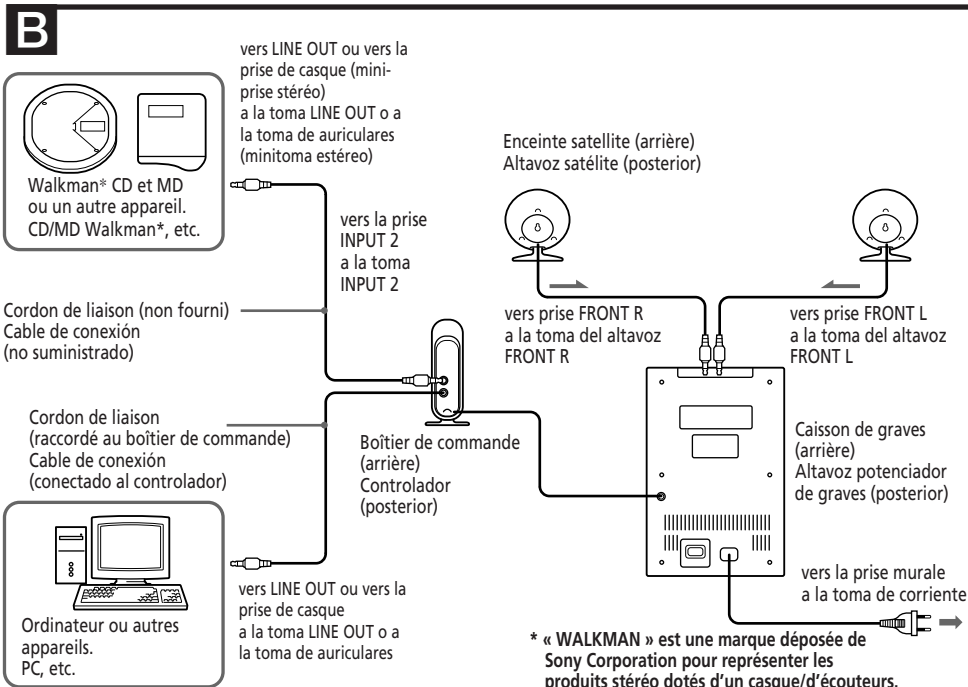
Dispositif d'ancrage pour mur creux (ø 4 mm, non fourni)
Anclaje de pared hueca (ø 4 mm, no suministrado)

5 mm
ø 7 mm
ø 4 mm
9,5 mm ou plus / 9,5 mm o más

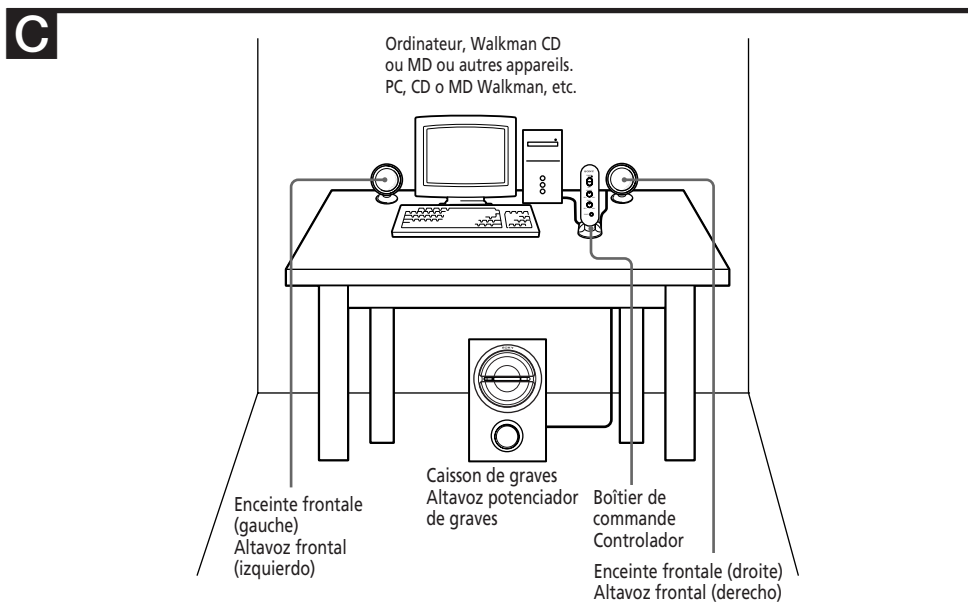
Remarque
Pensez d'abord à appliquer un adhésif (anaérobie) sur le dispositif d'ancrage pour mur à double paroi afin de garantir la fixation correcte de la vis.

Nota
En primer lugar, asegúrese de colocar una fijación (material anaerobio que no se deshilache) en el anclaje de pared hueca para evitar que el tornillo se suelte.

Remarque
Ne suspendez rien à l'enceinte satellite.
Nota
No cuelgue ningún objeto del altavoz satélite.



* « WALKMAN » est une marque déposée de Sony Corporation pour représenter les produits stéréo dotés d'un casque/d'écouteurs.
* « WALKMAN » es una marca registrada de Sony Corporation que representa los productos de auriculares estéreo.

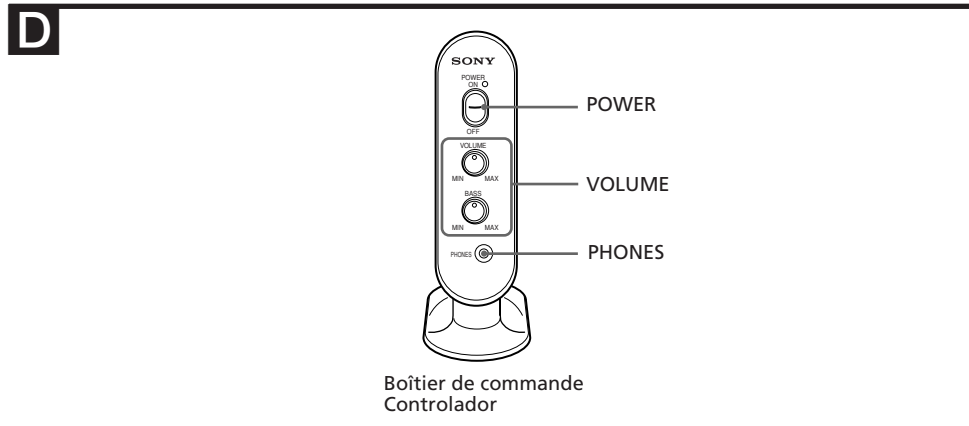


Enceinte frontale (gauche)
Altavoz frontal (izquierdo)

Caisson de graves
Altavoz potenciador de graves

Boîtier de commande
Controlador

Enceinte frontale (droite)
Altavoz frontal (derecho)



Boîtier de commande
Controlador

VOLUME : Contrôle global du volume.
BASS : Ajuste le niveau des graves (caisson de graves).
PHONES : Raccordez le casque / les écouteurs afin de procéder à une écoute individuelle.

VOLUME: Controla el nivel total del volumen.
BASS: Ajusta el nivel de graves (altavoz potenciador de graves).
PHONES: Toma para conectar los auriculares.

Français

Avant de faire fonctionner cet appareil, lisez attentivement le présent mode d'emploi et conservez-le pour toute référence ultérieure.

AVERTISSEMENT

Pour éviter tout risque de feu ou de choc électrique, ne pas exposer cet appareil à la pluie ou à l'humidité.

Pour éviter tout choc électrique, ne pas ouvrir le coffret. Confier l'entretien à un technicien qualifié. Pour ne pas risquer un incendie, ne couvrez pas les orifices d'aération de l'appareil avec des journaux, nappes, rideaux, etc., et ne placez pas de bougies. Pour éviter tout risque d'incendie ou de choc électrique, ne placer aucun objet rempli de liquide, tel un vase, sur l'appareil.

N'installez pas l'appareil dans un espace confiné comme dans une bibliothèque ou un meuble encastré.

Précautions

Sécurité

La plaquette signalétique indiquant la tension de service, la consommation électrique et autres spécifications, est apposée à l'arrière de l'appareil.

- Avant de le faire fonctionner, vérifiez que la tension de fonctionnement du système est identique à celle de votre alimentation secteur.

Lieu d'achat	Tension de fonctionnement
U.S.A./Canada	120 V CA, 60 Hz
Pays européens	220 - 230 V CA, 50 Hz
Autres pays	• 120 V CA, 60 Hz • 220 - 230 V CA, 50 Hz

- L'appareil n'est pas débranché de la source d'alimentation secteur tant qu'il reste connecté à la prise murale, même si l'appareil proprement dit est mis hors tension.
- Débranchez le système de la prise murale s'il ne doit pas être utilisé pendant un certain temps. Pour débrancher le câble, saisissez-le par sa fiche. Ne tirez jamais le câble proprement dit.
- En cas de chute d'un objet solide ou de liquide à l'intérieur du système, débranchez le câble d'alimentation et faites contrôler le système par un technicien qualifié avant de l'utiliser de nouveau.
- Le câble d'alimentation secteur ne doit être changé que dans une boutique de service après-vente spécialisée.
- Pour que la chaleur s'évacue correctement, laissez un espace suffisant à l'arrière du caisson de graves. Évitez également de poser des objets sur l'appareil. N'introduisez pas votre main ou un objet dans le trou du caisson de graves.

Fonctionnement

- N'utilisez pas le système d'enceintes avec une puissance admissible en continu supérieure à la puissance d'entrée maximale du système.
- Avant de procéder au raccordement, mettez hors tension le système acoustique, l'ordinateur et l'appareil audio afin d'éviter d'endommager le système d'enceintes.
- Le volume ne doit pas être réglé jusqu'au point de déformer le son.
- Bien que cet appareil soit doté d'un blindage magnétique, ne laissez pas de cassettes enregistrées, de montres, de cartes bancaires, de disquettes ou tout autre objet utilisant un système d'encodage magnétique face à l'appareil pendant une période prolongée.

Si l'image affichée à l'écran du téléviseur ou du moniteur présente des distorsions magnétiques

Bien que ce système soit doté d'un blindage magnétique, il est possible que l'image de certains téléviseurs ou écrans d'ordinateur présente des distorsions magnétiques. Dans ce cas, mettez le téléviseur ou l'ordinateur hors tension une fois, puis remettez-le sous tension au bout de 15 à 30 minutes. Pour l'ordinateur, prenez les précautions nécessaires, telles que la sauvegarde des données, avant de le mettre hors tension.

Si vous ne constatez pas d'amélioration, éloignez le système du téléviseur ou de l'ordinateur. En outre, n'utilisez et ne posez pas d'objets contenant des aimants, comme les meubles audio, les supports de téléviseurs et les jouets, à proximité du téléviseur ou de l'ordinateur. Leur interaction avec le système peut entraîner des distorsions magnétiques.

Installation

- N'installez pas les enceintes sur un plan incliné.
- N'installez pas votre système à proximité de sources de chaleur ni dans un endroit poussiéreux, humide ou soumis à la pluie, aux rayons directs du soleil ou à des chocs mécaniques.
- N'installez pas les enceintes satellites ailleurs que sur un mur.
- Ne suspendez rien à l'enceinte satellite.

Nettoyage

Pour nettoyer le boîtier, n'utilisez pas d'alcool, d'essence ni de diluant.

Pour toute question ou problème concernant votre système d'enceintes, adressez-vous à votre revendeur Sony le plus proche.

Installation des enceintes satellites (voir fig. A)

Cette enceinte peut être posée sur un bureau ou fixée à un mur.

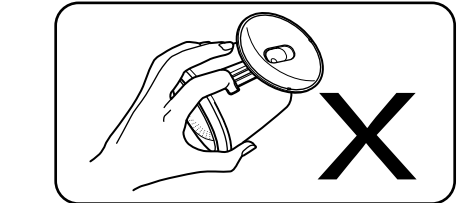
Lorsque l'enceinte satellite est posée sur un bureau (voir fig. A-④)

La fixation de l'embase sur l'enceinte satellite vous permet de la placer sur un bureau.

- Glissez l'embase dans la fente située sous l'enceinte satellite.

- Vérifiez que l'embase est verrouillée. Poussez l'embase dans la fente jusqu'au déclic.

Remarque
Veillez à ne pas vous coincer le doigt dans la fente de l'enceinte satellite lorsque vous insérez l'embase pour la verrouiller. Vous risqueriez de vous blesser au doigt.



Lorsque l'enceinte satellite est fixée à un mur (voir fig. A-⑤)

L'enceinte satellite peut être fixée à un mur. Reportez-vous aux remarques ci-dessous pour procéder à une installation en toute sécurité. Une installation incorrecte peut entraîner une chute de l'enceinte, des dommages matériels ou des blessures.

- Fixez au mur le dispositif d'ancrage pour mur à double paroi — reportez-vous à l'illustration.

- Remarques**
- Vérifiez que l'épaisseur du mur est suffisante. En cas de mur en plaques de plâtre, une épaisseur minimale de 9,5 mm est recommandée.
 - Sur un mur en plaques de plâtre, utilisez l'attache spécifique (dispositif d'ancrage pour mur à double paroi non fourni).
 - Lors de l'utilisation d'un dispositif d'ancrage pour mur à double paroi, reportez-vous au mode d'emploi fourni.
 - Utilisez des dispositifs d'ancrage pouvant supporter des charges d'au moins 20 kg.
 - Reportez-vous au mode d'emploi fourni avec le dispositif d'ancrage pour mur à double paroi.
 - Le dispositif d'ancrage pour mur à double paroi exige des trous de 4 mm ø.
 - Installez la tête d'un ancrage pour mur à double paroi à 5 mm du mur.
 - Appliquez un adhésif (anaérobie) sur le dispositif d'ancrage pour mur à double paroi afin de garantir la fixation correcte de la vis.

- Fixez l'enceinte satellite au mur. Insérez le dispositif d'ancrage du mur dans l'orifice d'ancrage de l'enceinte satellite.

- Remarques**
- Détachez l'embase de l'enceinte satellite avant de fixer cette dernière au mur.
 - Assurez-vous que l'enceinte satellite est correctement fixée au mur avant toute utilisation.

Raccordement du système (voir fig. B)

- Raccordez les enceintes satellites au caisson de graves. Vérifiez l'emplacement des enceintes satellites, puis raccordez-les à leurs prises respectives.

- Raccordez le boîtier de commande à l'appareil source.

– Ordinateur, etc. : Raccordez le boîtier de commande et la prise LINE OUT ou la prise de casque d'un ordinateur, etc. à l'aide du cordon de liaison (raccordé au boîtier de commande). Pour de plus amples informations, reportez-vous au mode d'emploi de l'ordinateur.

– Walkman CD/MD, etc. : Raccordez la prise INPUT 2 du boîtier de commande et la prise LINE OUT ou la prise de casque/d'écouteurs d'un Walkman CD/MD, etc. Le cordon de liaison n'est pas fourni avec ce système.

Remarque
Mettez sous tension l'un des appareils raccordés pour écouter le son en provenance de celui-ci.

- Raccordez le caisson de graves à la prise murale.

- Mettez en place les enceintes (voir fig. C).

Ecoute du son (voir fig. D)

Baissez d'abord le volume du boîtier de commande. Le volume doit être réglé au minimum avant de commencer l'écoute du programme.

- Réglez le commutateur POWER du boîtier de commande à ON. Le voyant POWER s'allume.

- Mettez sous tension l'appareil de votre choix raccordé au boîtier de commande.

Remarque
Ne mettez pas deux appareils raccordés sous tension simultanément car cela risque de provoquer un son double.

- Réglez la commande VOLUME du boîtier de commande.

Vous pouvez ajuster le volume du caisson de graves et de chaque enceinte satellite. Lors du raccordement à la sortie de casque, réglez également le volume de l'appareil raccordé. Une fois l'écoute terminée, réglez le commutateur POWER sur OFF. Le voyant POWER s'éteint.

Utilisation du casque/des écouteurs

Raccordez le casque/les écouteurs à la prise PHONES du boîtier de commande.

Remarque
Désactivez la fonction MEGA BASS ou BASS BOOST (Walkman ou autre) en raison du risque de distorsions sonores.

Dépannage

En cas de problème avec votre système d'enceintes, vérifiez la liste suivante et prenez les mesures suggérées. Si le problème persiste, adressez-vous à votre revendeur Sony.

Aucun son ne sort du système d'enceintes.

- Vérifiez que tous les raccordements sont corrects.
- Vérifiez que la molette VOLUME et la molette de volume de chaque enceinte du boîtier de commande ont été tournées correctement.
- Vérifiez que l'appareil raccordé est bien branché.
- Vérifiez si le casque d'écoute est branché. S'il est branché, débranchez-le.

- Le son est déformé.
- Réduisez le volume sur l'élément raccordé. Sinon, si l'élément raccordé est doté de la fonction Bass Boost, désactivez-la.

- Tournez la commande BASS de cet appareil pour réduire le volume des graves.
- Tournez la molette VOLUME de cet appareil pour réduire le volume.

Un ronronnement ou des parasites s'ajoutent au son provenant des enceintes.

- Vérifiez que tous les raccordements sont corrects.
- Vérifiez qu'aucun appareil audio n'est placé trop près du téléviseur.

Le son s'est arrêté brusquement.

Vérifiez que tous les raccordements sont corrects.

Le voyant POWER s'allume par intermittence.
Le voyant POWER peut s'allumer par intermittence lorsque le volume est fort. Ceci n'a rien d'anormal.

Spécifications

Enceintes	
Système satellite	Gamme étendue, à blindage magnétique
Système d'enceintes	5,7 cm, type conique
Haut-parleurs	Type fermé
Type de caisson	4 Hz
Impédance	2 m
Longueur du câble	2 m
Caisson de graves	
Système d'enceintes	Caisson de graves
Haut-parleurs	12 cm, type conique
Type de caisson	Bass reflex
Impédance	8 Ω
Amplificateur	
Sortie nominale	5 W (10 % T.H.D., 1 kHz, 4 Ω) (Enceinte satellite) 25 W (10 % T.H.D., 100 Hz, 8 Ω) (Caisson de graves)
Entrée	Câble de raccordement avec mini-fiche stéréo (1,8 m) x 1 Mini-prise stéréo x 1 (INPUT 2) 4,7 kΩ (à 1 kHz)
Impédance d'entrée	4,7 kΩ (à 1 kHz)
Sortie	Mini-prise stéréo x 1 (PHONES)
Généralités	
Dimensions (l/h/p)	Environ 50 x 140 x 99 mm (2 x 5 1/4 x 4 po) (Boîtier de commande) Environ 98 x 124 x 84 mm (3 7/8 x 5 x 3 1/4 po) (Enceinte satellite, sur un bureau) Environ 98 x 98 x 83 mm (3 7/8 x 3 7/8 x 3 1/4 po) (Enceinte satellite, fixée au mur) Environ 163 x 267 x 201 mm (6 1/2 x 10 1/2 x 11 7/8 po) (Caisson de graves)
Masse	Environ 134 g (5 oz) (Boîtier de commande) Environ 294 g (10 oz) (Enceinte satellite) Environ 4,2 kg (9 lb 4 oz) (Caisson de graves)
Longueur du câble	2 m (Boîtier de commande au caisson de graves) 2 m (Câble d'alimentation)
Consommation d'énergie	18 W

La conception et les spécifications sont sujettes à modification sans préavis.

- Raccordez les enceintes satellites au caisson de graves. Vérifiez l'emplacement des enceintes satellites, puis raccordez-les à leurs prises respectives.

- Raccordez le boîtier de commande à l'appareil source.

– Ordinateur, etc. : Raccordez le boîtier de commande et la prise LINE OUT ou la prise de casque d'un ordinateur, etc. à l'aide du cordon de liaison (raccordé au boîtier de commande). Pour de plus amples informations, reportez-vous au mode d'emploi de l'ordinateur.

– Walkman CD/MD, etc. : Raccordez la prise INPUT 2 du boîtier de commande et la prise LINE OUT ou la prise de casque/d'écouteurs d'un Walkman CD/MD, etc. Le cordon de liaison n'est pas fourni avec ce système.

Remarque
Mettez sous tension l'un des appareils raccordés pour écouter le son en provenance de celui-ci.

Accessoires en option
Câble de raccordement RK-G136, RK-G138
Adaptateur de fiche PC-236MS

La conception et les spécifications sont sujettes à modification sans préavis.

Español

Antes de utilizar la unidad, lea este manual atentamente y consérvelo para consultarlo en el futuro.

No introduzca el dedo en la ranura del altavoz satélite al bloquear el soporte. Podría hacerse daño en el dedo.

Para los clientes en México
Sistema de altavoces activo
POR FAVOR LEA DETALLADAMENTE ESTE MANUAL DE INSTRUCCIONES ANTES DE CONECTAR Y OPERAR ESTE EQUIPO. RECUERDE QUE UN MAL USO DE SU APARATO PODRÍA ANULAR LA GARANTÍA.

ADVERTENCIA

Para evitar incendios o riesgo de electrocución, no exponga la unidad a la lluvia ni a la humedad. Para evitar descargas eléctricas, no abra la unidad. En caso de avería, solicite los servicios de personal cualificado solamente.

Para evitar el riesgo de incendio, no cubra la ventilación del aparato con periódicos, manteles, cortinas, etc., ni ponga velas encendidas encima del aparato.

Para evitar el riesgo de incendio o electrocución, no coloque sobre el aparato objetos que contengan líquidos como, por ejemplo, un jarrón.

No instale el aparato en un espacio cerrado, como una estantería para libros o un armario empotrado.

Precauciones

Seguridad

La placa donde se indica el voltaje de funcionamiento, el consumo de energía, etc. se encuentra en la parte exterior trasera de la unidad.

- Antes de utilizar el sistema compruebe si la tensión de alimentación del mismo es idéntica a la de la fuente de alimentación local.

Lugar de adquisición	Tensión de alimentación
EE.UU./Canadá	120 V ca, 60 Hz
Europa	220 - 230 V ca, 50 Hz
Otros países	• 120 V ca, 60 Hz • 220 - 230 V ca, 50 Hz

- La unidad no estará desconectada de la fuente de alimentación de ca mientras permanezca conectada a la toma de corriente, incluso si está apagada.
- Si el sistema no se va a utilizar durante un periodo de tiempo prolongado, desconéctelo de la toma de corriente. Para desconectar el cable, tire de él agarrando del enchufe. Nunca debe tirar del cable.
- Si algún objeto sólido o líquido cae sobre el sistema, desenchufe el cable de alimentación y haga revisar el sistema por personal cualificado antes de volver a utilizarlo.
- El cable de alimentación de ca sólo deberá ser sustituido en un centro de servicio cualificado.
- Para una correcta ventilación, compruebe que queda suficiente espacio libre en la parte posterior del altavoz potenciador de graves. También debe evitar colocar objetos encima de la unidad.
- No introduzca la mano ni ningún objeto en el orificio del altavoz potenciador de graves.

Funcionamiento

- No haga funcionar el sistema de altavoces permanentemente con una potencia superior a la potencia máxima de entrada del sistema.
- Antes de realizar la conexión, apague el sistema de altavoces, el PC y el componente de audio para evitar dañar el sistema de altavoces.
- El nivel de volumen no debe alcanzar el punto de distorsión.
- Aunque este sistema está magnéticamente protegido, no deje cintas grabadas, relojes, tarjetas de crédito ni disquetes que utilicen codificación magnética enfrente del sistema durante un largo periodo de tiempo.

Si la imagen del televisor o la pantalla del monitor aparece distorsionada debido al magnetismo

Aunque este sistema está magnéticamente protegido, en algunos casos la imagen de algunos televisores o computadores personales puede distorsionarse debido al magnetismo. Si esto ocurre, apague el televisor o la computadora y enciéndalo de nuevo transcurridos de 15 a 30 minutos. En el caso de la computadora personal, tome medidas adecuadas, como guardar los datos antes de apagarlo.

Si no se produce ninguna mejora, aleje el sistema del televisor o de la computadora. Asimismo, no coloque objetos que contengan o utilicen imanes cerca del televisor o de la computadora, como soportes de audio, mesas de televisores, juguetes, etc., ya que pueden provocar una distorsión magnética de la imagen debido a la interacción con el sistema.

Colocación

- No coloque los altavoces en posición inclinada.
- No deje el sistema cerca de fuentes de calor, ni en lugares expuestos a la luz solar directa, polvo excesivo, humedad, lluvia o golpes.
- El altavoz satélite sólo puede instalarse en una pared.
- No cuelgue ningún objeto del altavoz satélite.

Limpieza

No utilice alcohol, bencina ni disolvente para limpiar la unidad.

Si tiene alguna pregunta o problema relacionado con el sistema de altavoces, consulte con su distribuidor Sony habitual.

Instalación de los altavoces satélite (consulte la figura A)

Estos altavoces se pueden colocar encima de una mesa o colgados en una pared.

Utilización del altavoz satélite encima de una mesa (consulte la figura A-④)

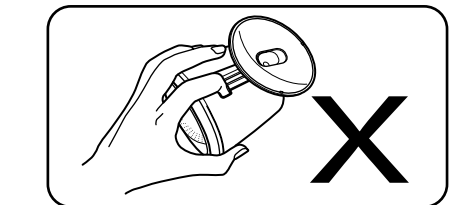
Si conecta el soporte al altavoz satélite, podrá colocarlo sobre una mesa.

- Deslice el soporte en la ranura que se encuentra en la parte inferior del altavoz satélite. El soporte le permitirá ajustar el altavoz satélite en el ángulo que desee.

- Cerchiórese de que los soportes están bloqueados.

Empuje el soporte en la ranura hasta oír un clic.

Nota
No introduzca el dedo en la ranura del altavoz satélite al bloquear el soporte. Podría hacerse daño en el dedo.



Utilización del altavoz satélite colgado de una pared (consulte la figura A-⑤)

Es posible colgar el altavoz satélite en una pared. Siga los procedimientos que se indican a continuación para su correcta instalación. Si no se realiza una instalación correcta, el altavoz puede caer al suelo, lo que podría producir daños personales o dañar el altavoz u otros objetos.

- Fije el anclaje de pared hueca en la pared. Consulte la ilustración.

Notas

- Compruebe que el grosor de la pared es el adecuado. En el caso de las paredes de pladur, se recomienda que tengan un grosor de unos 9,5 mm como mínimo.
- Utilice la abrazadera indicada (anclaje de pared hueca no suministrado) para fijar el altavoz a paredes de pladur.
- Consulte el manual de instrucciones suministrado para utilizar un anclaje de pared hueca.
- Utilice unos anclajes de pared que admitan 20 kg como mínimo.
- Consulte el manual de instrucciones suministrado con dicho anclaje.
- Precisa un anclaje de pared hueca de 4 mm de diámetro.
- Separe la cabeza del anclaje de pared hueca 5 mm de la pared.
- Coloque una fijación (material anaerobio que no se deshilache) en el anclaje de pared hueca para evitar que el tornillo se suelte.

- Fije el altavoz a la pared. Inserte el anclaje de pared en el orificio de anclaje del altavoz satélite.

Notas

- Retire el soporte del altavoz satélite antes de instalarlo en la pared.
- Asegúrese de que el altavoz satélite está instalado de forma segura en la pared antes de empezar a usarlo.

Conexión del sistema de altavoces (consulte la figura B)

- Conecte los altavoces satélite al altavoz potenciador de graves. Decida la ubicación de los altavoces satélite y conéctelos a las tomas respectivas.

- Conecte el controlador al equipo fuente.

– PC, etc.: Conecte el controlador y la toma LINE OUT o la de los auriculares a un PC, etc. con el cable