



IC Recorder

Operating Instructions

Owner's Record

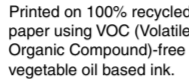
The model number is located at the rear and the serial number is located inside the battery compartment. Record the serial number in the space provided below. Refer to these numbers whenever you call upon your Sony dealer regarding this product.

Model No. _____ Serial No. _____

IC RECORDER

ICD-U50/U60/U70

©2006 Sony Corporation Printed in China



Printed on 100% recycled paper using VOC (Volatile Organic Compound)-free vegetable oil based ink.

http://www.sony.net/

Information

IN NO EVENT SHALL SELLER BE LIABLE FOR ANY DIRECT, INCIDENTAL OR CONSEQUENTIAL DAMAGES OF ANY NATURE, OR LOSSES OR EXPENSES RESULTING FROM ANY DEFECTIVE PRODUCT OR THE USE OF ANY PRODUCT.

For the customers in the U.S.A.

INFORMATION

This equipment has been tested and found to comply with the limits for a Class B digital device, pursuant to Part 15 of the FCC Rules. These limits are designed to provide reasonable protection against harmful interference in a residential installation. This equipment generates, uses, and can radiate radio frequency energy and, if not installed and used in accordance with the instructions, may cause harmful interference to radio communications.

- However, there is no guarantee that interference will not occur in a particular installation. If this equipment does cause harmful interference to radio or television reception, which can be determined by turning the equipment off and on, the user is encouraged to try to correct the interference by one or more of the following measures:
 - Reorient or relocate the receiving antenna.
 - Increase the separation between the equipment and receiver.
 - Connect the equipment into an outlet on a circuit different from that to which the receiver is connected.
 - Consult the dealer or an experienced radio/TV technician for help.

You are cautioned that any changes or modifications not expressly approved in this manual could void your authority to operate this equipment.

If you have any questions about this product, you may call: Sony Customer Information Services Center 1-800-222-7669 or http://www.sony.com/

Declaration of Conformity

Trade Name: SONY
 Model: ICD-U50/U60/U70
 Responsible Party: Sony Electronics Inc.
 Address: 16530 Via Esprillo, San Diego, CA 92127 U.S.A.
 Telephone Number: 858-942-2230

This device complies with part 15 of the FCC Rules. Operation is subject to the following two conditions: (1) This device may not cause harmful interference, and (2) this device must accept any interference received, including interference that may cause undesired operation.

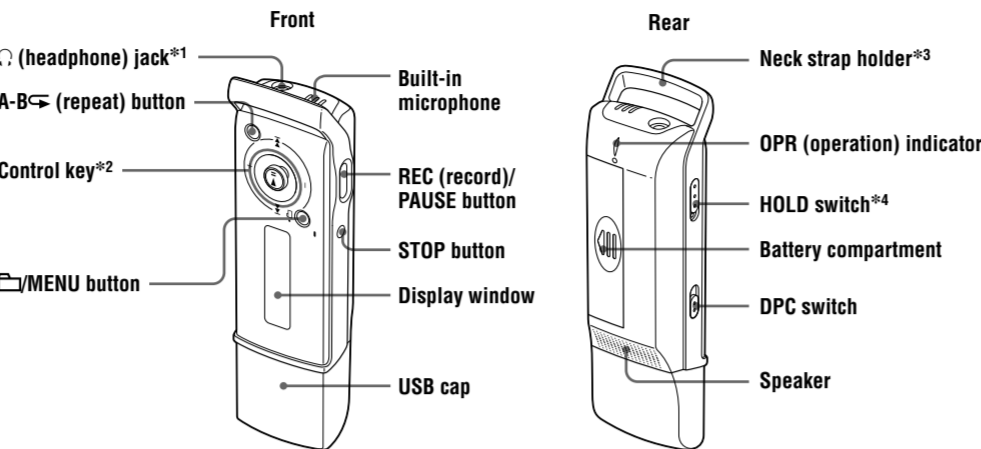
Disposal of Old Electrical & Electronic Equipment (Applicable in the European Union and other European countries with separate collection systems)

This symbol on the product or on its packaging indicates that this product shall not be treated as household waste. Instead it shall be handed over to the applicable collection point for the recycling of electrical and electronic equipment. By ensuring this product is disposed of correctly, you will help prevent potential negative consequences for the environment and human health, which could otherwise be caused by inappropriate waste handling of this product. The recycling of materials will help to conserve natural resources. For more detailed information about recycling of this product, please contact your local Civic Office, your household waste disposal service or the shop where you purchased the product.

Applicable accessories: Headphone

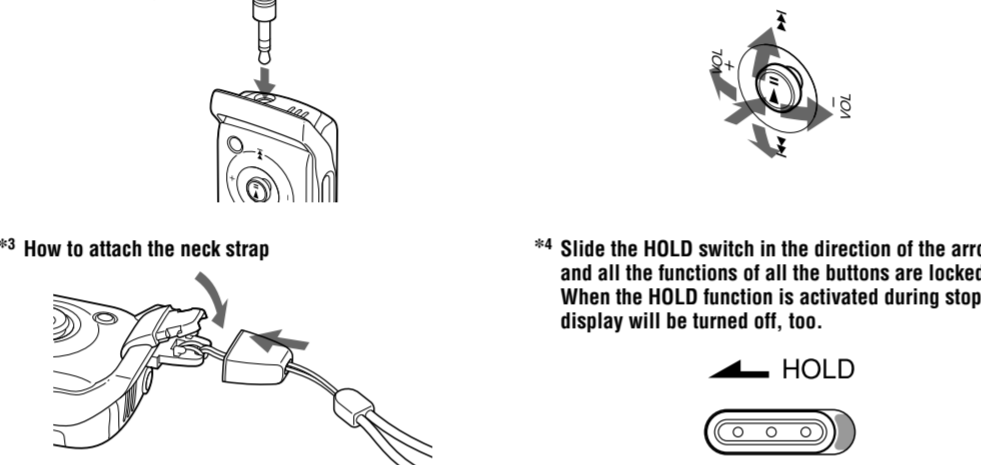
Index to Parts and Controls

Main Unit



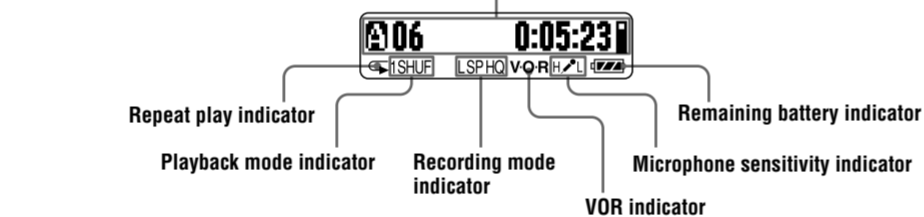
This unit does not have a power on/off switch.

- *1 Connect stereo headphone(s) or stereo ear receiver to the Ⓛ (headphone) jack. If noise is heard, wipe the headphone/ear receiver plug.
- *2 How to use the control key Use the key to change the menu settings as well as for playback. In the menu mode press the key right or left to select a menu item and press the key (▶||) to confirm the setting.



Display Window

Folder indicator (A, B, C, D, E, ♪)/Message number/REC (recording) indicator/Recording time indication/Remaining memory indicator/Total number of messages in a folder/Menu indication/Counter/Remaining time indication/Recording date indication/Current time indication



When recording or playback stops, the display changes from counter to current time, and then disappears in 30 seconds.

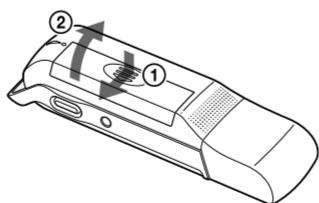
Supplied Accessories

- Stereo headphone (1)
- LR03 (size AAA) alkaline battery (1)
- CD-ROM (1)
- Neck strap (1)
- Operating instructions (1)

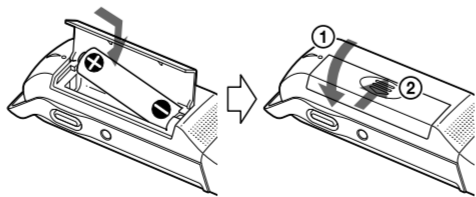
Getting Started

Installing the Battery

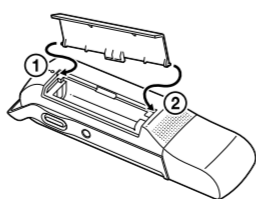
- Slide and lift the battery compartment lid.



- Insert one LR03 (size AAA) alkaline battery with the correct polarity, and close the lid.



If the battery compartment lid is accidentally detached, attach it as illustrated.



Battery life*1

When using a Sony LR03 (SG) (size AAA) alkaline battery

Recording mode	Recording	Playback*2
HQ*3	Approx. 11 hr.	Approx. 13 hr.
SP*4	Approx. 16 hr. 30 min.	Approx. 19 hr.
LP*5	Approx. 16 hr. 30 min.	Approx. 19 hr.
MP3	—	Approx. 8 hr. 30 min.

- (hr.: hours / min.: minutes)
- *1 The battery life may shorten depending on the operation of the IC recorder.
- *2 When playing back through the stereo headphone with the medium volume level
- *3 HQ: High quality recording mode
- *4 SP: Standard play recording mode
- *5 LP: Long play recording mode

!Note
Do not use a manganese battery with this IC recorder.

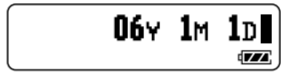
Battery remaining indicator
The battery indicator on the display shows the battery condition. When flashes, replace the battery with a new one. When flashes and "CHANGE BATTERY" flashes 3 times, the battery is exhausted and the IC recorder will stop operating.

- !Notes**
 - When you replace the battery with a new one, the clock returns to the setting display, or an incorrect date and time appear when you insert the new battery. In this case, set the date and time again. The recorded messages, however, will remain.
 - The IC recorder is accessing data while "ACCESS" appears on the display or the OPR indicator flashes in orange. While the IC recorder is accessing data, do not remove the battery. Doing so may damage the data.

Setting the Clock

You must set the clock to record the date and time.

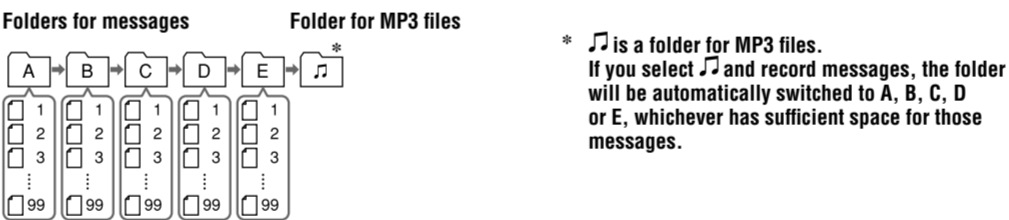
- Press and hold for more than 1 second. The unit enters the menu mode.
- Press the control key toward to display "DATE & TIME>" and press . The clock setting display appears.
- Press the control key toward to select the digits of the year and press . The clock setting display appears.
- Set the month, day, hour and minute in sequence, then press . When the minute digits are selected, the clock will be set and the display will return to "DATE & TIME>."
- Press STOP to exit from the menu mode.



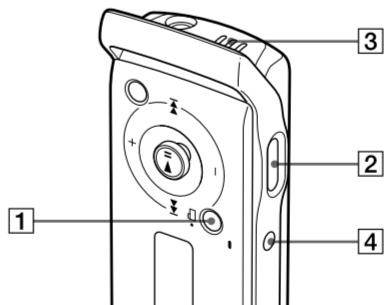
Recording

Recording Messages

You can record up to 99 messages in each of the five folders (A, B, C, D and E), a total of 495 messages.



- Press to select a folder.
- Press REC/PAUSE in the stop mode to start recording. The message will be automatically added after the end of the last recorded message. e.g. Message 1 Message 2 New message Empty space
- Speak into the built-in microphone.
- Press STOP to stop the recording.



- !Notes**
 - While the OPR indicator is flashing or is lit in orange, do not remove the battery. Doing so may damage the data.
 - Noise may be recorded if an object, such as your finger, etc., accidentally rubs or scratches the IC recorder during recording.
 - Before making a recording, be sure to check the remaining battery indicator.

To pause recording
Press REC/PAUSE. "PAUSE" flashes. To release pause and resume recording, press REC/PAUSE again.

Monitoring the recording

Connect the headphone supplied or an optional stereo ear receiver to the Ⓛ (headphone) jack and monitor the recording. You can adjust the volume with the control key by pressing it toward VOL + or VOL -, but the recording level is fixed.

Selecting the recording mode

Select "HQ", "SP", or "LP" in the "REC MODE:HQ" menu (see "Menu Settings" on the reverse side). To record in better sound quality, select "HQ."

Selecting the microphone sensitivity

Select the microphone sensitivity in the "MIC SENS:H" menu (see "Menu Settings" on the reverse side).

Maximum recording time

The maximum recording time* of all the folders is as follows. You can check the remaining recording time by selecting "REMAIN" in the "DISPLAY>" menu (see "Menu Settings" on the reverse side). * When deleting Player Plug-in for Windows Media Player and Windows® 2000 Professional, Windows® 98 Second Edition Driver.

	ICD-U50	ICD-U60	ICD-U70
HQ*1	28 hr. 40 min.	57 hr. 30 min.	115 hr. 10 min.
SP*2	76 hr. 30 min.	153 hr. 25 min.	307 hr. 15 min.
LP*3	125 hr. 15 min.	251 hr. 5 min.	502 hr. 45 min.

- (hr.: hours / min.: minutes)
- *1 HQ: High quality recording mode
- *2 SP: Standard play recording mode
- *3 LP: Long play recording mode

Remaining memory indicator

During recording, the remaining memory amount indicated decreases. When nothing is recorded, "■" is displayed. When the remaining recording time reaches 5 minutes, the remaining memory indicator "□" flashes. When the memory is full, recording automatically stops, an alarm sounds, and "MEMORY FULL" will flash, and the remaining memory indicator "□" will flash. To continue recording, first erase some of the messages.

Starting Recording Automatically in Response to the Sound (VOR Function)

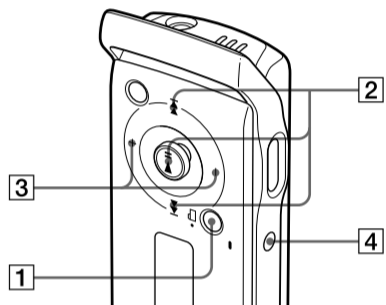
Set the VOR (voice operated recording) function to "ON" in the "VOR:OFF" menu (see "Menu Settings" on the reverse side).

Playback/Erasing

Playing Back Messages

When playing back a message you have just finished recording, start from Step 2.

- Press to select the folder you want.
- Press the control key toward or to select the message number you want to play, and press to start playback.
- Adjust the volume by pressing the control key toward VOL + or VOL -.
- Press STOP to stop playback.



To	Do this
pause playback	Press . To resume playback from that point, press again.
go back to the beginning of the current message	Press toward once.
go back to previous messages	Press toward repeatedly. (During the stop mode, keep the key pressed to go back through the messages continuously.)
skip to the next message	Press toward once.
skip to succeeding messages	Press toward repeatedly. (During the stop mode, keep the key pressed to skip the messages continuously.)
search forward/backward*	Keep pressing toward (forward/cue) or (backward/review) during playback and release the key at the point you wish to resume playback.

* If you keep the control key toward or pressed, the IC recorder starts to search at higher speed. During cue/review, the counter will be displayed, regardless of the display mode setting. If you keep the control key toward to the end of the recorded messages, "MESSAGE END" flashes and the IC recorder stops at the beginning of the last message in the folder.

Adjusting the playback speed (DPC: Digital Pitch Control function)

Set the DPC switch to ON. Set the playback speed in the "DPC: 0%" menu (see "Menu Settings" on the reverse side).

To resume normal playback

Set the DPC switch to OFF.

- !Notes**
 - When the DPC switch is set to ON, the playback sound changes.
 - When the DPC switch is set to ON, an MP3 file may be played back at a lower speed than the one you set in the "DPC 0%" menu.

Selecting the playback mode

Change the playback mode in the "VOICE PL MODE>" menu (see "Menu Settings" on the reverse side).

