

Active Speaker System

Operating Instructions
Manual de instrucciones

SRS-T100PC

http://www.sony.net/

© 2003 Sony Corporation Printed in Thailand

English

WARNING

To prevent fire or shock hazard, do not expose the unit to rain or moisture.
To avoid electrical shock, do not open the cabinet. Refer servicing to qualified personnel only.
To prevent fire, do not cover the ventilation of the apparatus with news papers, table-cloths, curtains, etc. Do not place lighted candles on the apparatus.
To prevent fire or shock hazard, do not place objects filled with liquids, such as vases, on the apparatus.

Do not install the appliance in a confined space, such as a bookcase or built-in cabinet.

CAUTION

You are cautioned that any changes or modification not expressly approved in this manual could void your authority to operate this equipment.

Owner's Record

The model number and the serial number are located at the rear of the unit.
Record the model number and the serial number in the space provided below. Refer to them whenever you call upon your Sony dealer regarding this product.

Model No. SRS-T100PC
Serial No. _____

For the customers in the U.S.A.

INFORMATION
This equipment has been tested and found to comply with the limits for a Class B digital device, pursuant to Part 15 of the FCC Rules. These limits are designed to provide reasonable protection against harmful interference in a residential installation. This equipment generates, uses, and can radiate radio frequency energy and, if not installed and used in accordance with the instructions, may cause harmful interference to radio communications. However, there is no guarantee that interference will not occur in a particular installation. If this equipment does cause harmful interference to radio or television reception, which can be determined by turning the equipment off and on, the user is encouraged to try to correct the interference by one or more of the following measures:
- Reorient or relocate the receiving antenna.
- Increase the separation between the equipment and receiver.
- Connect the equipment to an outlet on a circuit different from that to which the receiver is connected.
- Consult the dealer or an experienced radio/TV technician for help.

You are cautioned that any changes or modifications not expressly approved in this manual could void your authority to operate this equipment.
If you have any questions about this product, you may call:
Sony Customer Information Services Center
1-800-222-7669 or http://www.sony.com/

Declaration of Conformity
Trade Name: SONY
Model No.: SRS-T100PC
Responsible Party: Sony Electronics Inc.
Address: 16530 Via Esprillo,
San Diego, CA 92127 USA
858-942-2230
Telephone No.: _____

This device complies with Part 15 of the FCC Rules. Operation is subject to the following two conditions:
(1) This device may not cause harmful interference, and (2) this device must accept any interference received, including interference that may cause undesired operation.



The validity of the CE marking is restricted to only those countries where it is legally enforced, mainly in the countries EEA (European Economic Area).

- Microsoft and Windows are registered trademarks of Microsoft Corporation in the United States and/or other countries.
- In this manual, Microsoft® Windows® XP Home Edition and Microsoft® Windows® XP Professional are referred to as Windows XP.
- In this manual, Microsoft® Windows® 2000 Professional is referred to as Windows 2000.
- In this manual, Microsoft® Windows® Millennium Edition is referred to as Windows Me.
- In this manual, Microsoft® Windows® 98 Second Edition is referred to as Windows 98SE.
- All other names of systems and products are trademarks or registered trademarks of their respective owners™ and ® marks are omitted in this manual.

Features

Compact design

- A compact speaker system that you can easily carry along with your laptop. With a USB connection to your computer, a variety of sounds is available.
- With the power supply via the USB cable, the connection of the AC power adaptor or batteries for the speakers is not needed. (Note that when your computer is running on batteries, the life span of the battery is reduced).
- The USB cable can be stored within the speakers.

Simple settings

- By using the built-in rod, the distance between the speakers can be freely extended and shortened.
- Requires a simple USB jack connection only.
- You can adjust the volume with volume control.

High quality sound

- The newly developed built-in class D, 1 bit digital amplifier outputs clear digital sound with the least noise from your computer.
- The newly developed 34mm Neodymium magnet speaker provides a rich, balanced sound.
- The built-in MEGABASS circuit enhances bass sound, irrespective of the playback volume levels.

Precautions

- After operating the system with the USB cable, disconnect the USB cable from the computer if the system is not to be used for an extended period.
- Do not open the cabinet. Refer servicing to qualified personnel only.
- Do not leave the system in a location near heat sources, or in a place subject to direct sunlight, excessive dust, moisture, rain or mechanical shock.
- Should any solid object or liquid fall into the system, remove the USB cable and have the system checked by qualified personnel before operating it any further.
- Do not use alcohol, benzine, or thinner to clean the cabinet.
- Although this system is magnetically shielded, do not leave recorded tapes, watches, personal credit cards or floppy disks using magnetic coding in front of the system for an extended period.

If the TV picture or monitor display is magnetically distorted

Although this system is magnetically shielded, there may be cases that the picture on some TV sets/personal computers sets may become magnetically distorted. In such a case, turn off the power of the TV set/personal computer set once, and after 15 to 30 minutes turn it on again. For the personal computer set, take the appropriate measures such as data storage before turning it off.

When there seems to be no improvement Locate the system farther away from the TV set/personal computer set. Furthermore, be sure not to place objects in which magnets are attached or used near the TV set/personal computer set, such as audio racks, TV stands, toys etc. These may cause magnetic distortion to the picture.

If you have any questions or problems concerning your system that are not covered in this manual, please consult your nearest Sony dealer.

Setting the stand

How to set the stand (see fig. A)

- 1 Slide the stand, pushing it in the direction of the arrow

Note

If you set the stand without sliding it then it may be damaged. Be very careful when you are setting the stand.

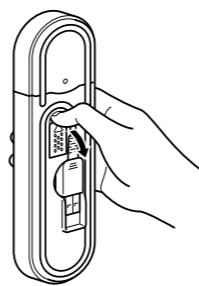
- 2 Set the stand.

- 3 Pull out the stand until it is completely set.

When storing the stand, perform the above procedure in the reverse manner.

Tip

You can also set the stand as illustrated.



Preparations

Preparation 1: Connection (see fig. B)

- 1 Pull out the USB cable from the system storage section.

- 2 Connect the USB connector (Type A plug) of the system to the USB port of your computer.

Notes on USB connection

- If your computer is connected to other USB devices via a hub, there may be no sound or it may be low. Connect the system to your computer directly with the USB cable to avoid noise.
- If the USB cable is not properly connected, the system may not be recognized on your computer. Check the direction of the connector and connect the USB cable properly.

Preparation 2: Installation of device drivers (Windows XP)

The device drivers have to be installed, when connecting to the USB port for the first time.
The device drivers are included in Windows XP and are not supplied with the system.
Further, you will need the Windows XP CD-ROM to install the device drivers.
For details, refer to the manual of your computer.

- 1 Switch on your computer and start Windows XP.
- 2 Connect the system to your computer.
- 3 USB Composite Device/USB Audio Device/USB Human Interface Device are automatically installed.

Notes

- You need not perform the above installation procedure when connecting for the second time or later. (When connected to different USB ports, you may have to install again).
- The above installation procedure may differ depending on the version of Windows XP.

Setting of music CD replay

This setting is necessary when playing back the music CD in the CD-ROM drive.

- 1 Select "Control Panel" from the "Start" menu.
- 2 Click "Sounds, Speech, and Audio Devices."
- 3 Click "Sounds and Audio Devices" icon and open "Sounds and Audio Devices Properties."
- 4 Select "Hardware."
- 5 Select the CD-ROM icon for replaying the music from "Devices" and click "Properties."
- 6 Select "Properties."
- 7 Click the check box "Enable digital CD audio for this CD-ROM device."
- 8 Select "OK" and exit.

Preparation 2: Installation of device drivers (Windows 2000)

The device drivers have to be installed, when connecting to the USB port for the first time.
The device drivers are included in Windows 2000 and are not supplied with the system.
Further, you will need the Windows 2000 CD-ROM to install the device drivers.
For details, refer to the manual of your computer.

- 1 Switch on your computer and start Windows 2000.
- 2 Connect the system to your computer.
- 3 USB Composite Device/USB Audio Device/USB Human Interface Device are automatically installed.

Notes

- You need not perform the above installation procedure when connecting for the second time or later. (When connected to different USB ports, you may have to install again).
- The above installation procedure may differ depending on the version of Windows 2000.

Setting of music CD replay

This setting is necessary when playing back the music CD in the CD-ROM drive.

- 1 Select "Settings" - "Control Panel" from the "Start" menu.
- 2 Double click the icon "Sounds and Multimedia" and open "Sounds and Multimedia Properties."
- 3 Select "Hardware."
- 4 Select the CD-ROM icon for replaying the music from "Devices" and open "Properties."
- 5 Select "Properties."
- 6 Click the check box "Enable digital CD audio for this CD-ROM device."
- 7 Select "OK" and exit.

Preparation 2: Installation of device drivers (Windows Me)

The device drivers have to be installed, when connecting to the USB port for the first time.
The device drivers are included in Windows Me and are not supplied with the system.
Further, you will need the Windows Me CD-ROM to install the device drivers.
For details, refer to the manual of your computer.

- 1 Switch on your computer and start Windows Me.
- 2 Connect the system to your computer.
- 3 Install the USB Composite Device. The USB Composite Device is automatically installed.

4 Install the USB Audio Device

- ① [Add New Hardware Wizard] is displayed just after the USB Composite Device is installed.
- ② Check that "USB Audio Device" is displayed in [Windows has found the following new hardware] window, and check that the "Automatic search for a better driver[Recommended]" check box is selected and click "Next."
- ③ The USB Audio Device is automatically installed.
- ④ When [Windows has finished installing the new hardware device] is displayed, click "Finish."

5 Install the USB Human Interface Device

The USB Human Interface Device is automatically installed after the USB Audio Device is installed.

Notes

- You need not perform the above installation procedure when connecting for the second time or later. (When connected to different USB ports, you may have to install again).
- The above installation procedure may differ depending on the version of Windows Me.

Settings of music CD replay

This setting is necessary when playing back a music CD in the CD-ROM drive.

- 1 Select "Settings" - "Control Panel" from the "Start" menu.
- 2 Double click the "System" icon and open "System Properties."
- 3 Select "Device Manager."
- 4 Double click the "CDROM" icon.
- 5 Select the drive for replaying music, and click "Properties."
- 6 Select "Properties."
- 7 Click the check box "Enable digital CD audio for this CD-ROM device."
- 8 Select "OK" and exit.

Preparation 2: Installation of device drivers (Windows 98SE)

The device drivers have to be installed when connecting to the USB port for the first time.
The device drivers are included in Windows 98SE and are not supplied with the system.
Furthermore, you will need the Windows 98SE CD-ROM to install the device drivers.
For details, refer to the manual of your computer.

- 1 Switch on your computer and start Windows 98SE.
- 2 Connect the system to your computer. When the system is connected to the computer, [Add New Hardware Wizard] is displayed and the installation of the device driver automatically starts. Install each driver following the on-screen instructions.

* When a message such as Insert the disk labeled Windows 98SE CD-ROM is displayed, insert the Windows 98SE CD-ROM in the CD-ROM Drive and click "OK".
Depending on the kind of computer you are using you may have to specify the drive names (such as D:) or file names.

- 3 Install the USB Composite Device
 - ① Check that "USB Composite Device" is displayed in the [This wizard searches for new drivers for] window, and click "Next." [What do you want Windows to do?] is displayed.
 - ② Check that the "Search for the best driver for your device.[Recommended]." check box is selected and click "Next." [Windows will search for new drivers in its driver database on your hard drive, and in any of the following selected locations.] is displayed.
 - ③ For items checked at the beginning, check the "CD-ROM drive" check box and click "Next." [Windows driver file search for the device] is displayed.
 - ④ Check that [USB Composite Device] is displayed and click "Next." The driver is copied.
 - ⑤ When [Windows has finished installing the software that your new hardware device requires.] is displayed, click "Finish."
- 4 Install the USB Human Interface Device
 - ① Check that "USB Human Interface Device" is displayed in the [This wizard searches for new drivers for] window, and click "Next." [What do you want Windows to do?] is displayed.
 - ② Check that the "Search for the best driver for your device.[Recommended]." check box is checked, and click "Next." [Windows will search for new drivers in its driver database on your hard drive, and in any of the following selected locations.] is displayed.
 - ③ For items checked at the beginning, check the "CD-ROM drive" check box, and click "Next." [Windows driver file search for the device] is displayed.
 - ④ Check that [USB Human Interface Device] is displayed, and click "Next." The driver is copied.
 - ⑤ When [Windows has finished installing the software that your new hardware device requires.] is displayed, click "Finish."

5 Install USB Audio Device

- ① Check that "USB Audio Device" is displayed in the [This wizard searches for new drivers for] window, and click "Next." [What do you want Windows to do?] is displayed.
- ② Check that the "Search for the best driver for your device.[Recommended]." check box is selected and click "Next." [Windows will search for new drivers in its driver database on your hard drive, and in any of the following selected locations.] is displayed.
- ③ For items checked at the beginning, check the "CD-ROM drive" check box and click "Next." [Windows driver file search for the device] is displayed.
- ④ Check that [USB Audio Device] is displayed, and click "Next." The driver is copied.
- ⑤ When [Windows has finished installing the software that your new hardware device requires.] is displayed, click "Finish."

Notes

- You need not perform the above installation procedure when connecting for the second time or later. (When connected to different USB ports, you may have to install again).
- The above installation procedure may differ depending on the version of Windows 98SE.

Setting of music CD replay

This setting is necessary when playing back the music CD in the CD-ROM drive.

- 1 Select "Settings" - "Control Panel" from the "Start" menu.
- 2 Double click the icon "Multimedia" and open "Multimedia Properties."
- 3 Select "CD Music."
- 4 Check the check box "Enable digital CD audio for this CD-ROM device."
- 5 Select "OK" and exit.

How to use (see fig. C)

First, turn down the volume of the system. The volume should be set to minimum before you begin playing the connected device.
When installing the system using the stand, refer to "Setting the stand."

- 1 Switch on the computer
The POWER indicator lights up.
- 2 Pull the left speaker of the system and extending the shaft.
- 3 Start the software for replaying the music in your computer

Notes

- Hold both enclosures in your hands while extending.
- Do not twist the speakers.
- Start the software for replaying the music in your computer

Note
If the system is connected while the music software is running in your computer, music may not come from the system. Stop the music software once and start again. Music can be heard from the system.

To adjust the volume

To set the appropriate volume, adjust either the VOLUME of the speakers or the volume control of your computer.

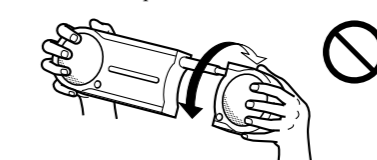
To store the USB cable

Store the USB cable as illustrated.



Notes on use

- When the sound is low even on increasing the volume of the system, the volume of the computer may be set at a low level. Check the volume of the computer from the control panel. The volume will differ depending on the software's recording levels.
- When you only hear the music in the system with the system running on batteries, it is recommended that you set the brightness control of your computer to minimum, to increase the life span of the battery. Use the AC adaptor when using the system for an extended period.
- Do not continuously cause the "Beep" to sound in your system, to avoid reducing battery life span or malfunction from excess current.
- Do not use the system via a USB hub. The speaker's volume may be reduced. Connect the system directly to the computer with the USB cable.
- When connecting the USB plug to your computer, do not pull out or insert the plug continuously or forcibly, as the system may not be recognized on your computer, there may be no sound from the system, or the system may malfunction.
- Connect the system to the USB jack (Type A jack) of your computer. For details, refer to the manual of your computer.
- Do not twist the left and right speakers to avoid disconnection of speakers.



- When checking the connection between the system and the computer, check the device manager of the computer. For details, refer to the manual of your computer.
- When the computer has two or more USB jacks, the system may not be used with other USB devices at the same time. It may cause low-output, sound skipping or noise. For details, refer to the manual of your computer.

- Operations are not guaranteed with Windows OS installed in do-it-yourself computers, upgraded Windows OS, or except compliant OS.
- Sony recommends that the CPU of your computer should be Pentium II 266MHz or faster. If the requirements of the CPU is insufficient or when other applications are running simultaneously, reading data may be skipped which may cause noise or intermittent sound.
- Using an extension cable for a USB connection may cause a malfunction or low output.
- If the sound from the speakers is distorted, or noise is excessive, adjust the volume of the system and that of the computer through the control panel.
- If the sound of the alarm of your computer and that of playback is unbalanced, adjust by following the manual of your computer.
- Sony recommends that you take a back up of important data before installing the USB device drivers. Sony will not be responsible in the case that the computer cannot be used or data is lost due to a mistaken operation or breakdown.
- When using the suspension resume function (System suspend, system hibernation etc.), the system speakers may not work correctly. In such a case, restart either the application or the computer.
- Do not disconnect and reconnect the USB cable while playing music in a CD player or in a media player. It may cause a malfunction or a breakdown.
- Do not disconnect and reconnect the USB cable of the system while the computer is on. It may cause a malfunction. If, however you have disconnected and connected the USB cable, restart it after shutting down a running software.

Troubleshooting

Sound is distorted.
The input signal is too high.
→ Reduce the volume of the computer.
→ Depending on the software you are using, the plot comes closer to being flat by adjusting the equalizer.

Sound is low or no sound.
VOLUME must be at MIN.
→ Adjust VOLUME.

Sound is low.
The volume control of the computer or the volume of the music playback software must be turned down.
→ Adjust the volume control.

There is no sound.
• The USB cable is not connected properly.
→ Connect the USB cable properly.
• The system is connected while music software is being replayed.
→ Stop playback of the music software and start again.
• The audio replaying device of your computer is not set correctly.
→ Windows XP: Select "Audio" in [Sounds and Audio Devices Properties], and select "USB Audio CODEC" for [Default device] in the Sound playback menu.
→ Windows 2000: Select "Audio" in [Sounds and Multimedia Properties], and select "USB Audio Device" for [Preferred device] in the Sound Playback menu.
→ Windows Me: Select "Audio" in [Sounds and Multimedia Properties], and select "USB Audio Device" for [Preferred device] in the Sound Playback menu.

→ Windows 98SE: Select "Audio" in [Multimedia Properties], and select "USB Audio Device" for [Preferred device] in the Playback menu.
• The volume control of the computer or the music playback software is set at "Mute."
→ Remove the mute.
• The USB port is not recognized.
→ Restart after quitting the playback software. If the problem persists, restart your computer.
• USB is not available.
→ Check the device manager of your computer.

Sound is distorted; there is noise or no sound.
• The CPU of your computer is overloaded.
→ Exit other applications.
• The system is being used via the USB hub.
→ Connect the system directly to the USB jack of your computer.

There is no sound from the speakers when using the built-in mike or external mike of the connected computer.
• The audio recording device of your computer is not set correctly.
→ Change the audio recording device of your computer, from the USB audio device to the audio device or external mike installed in your computer.

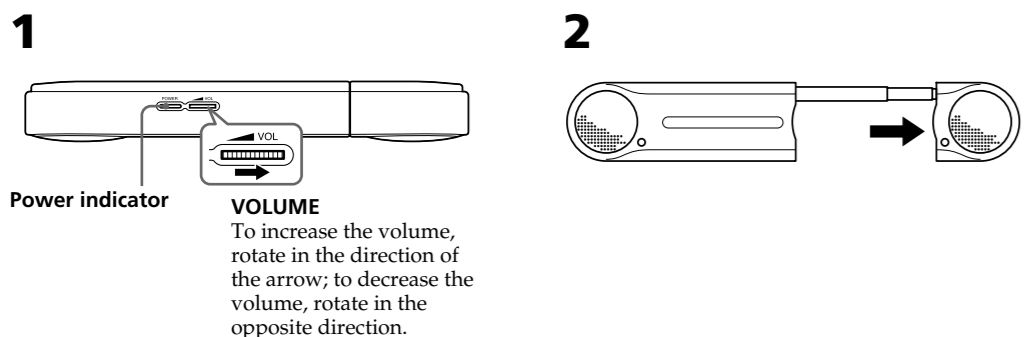
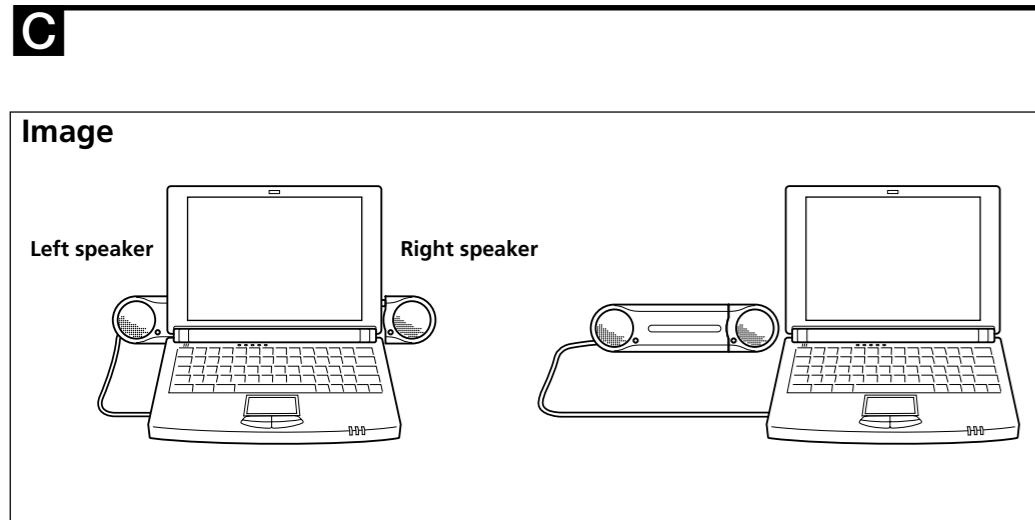
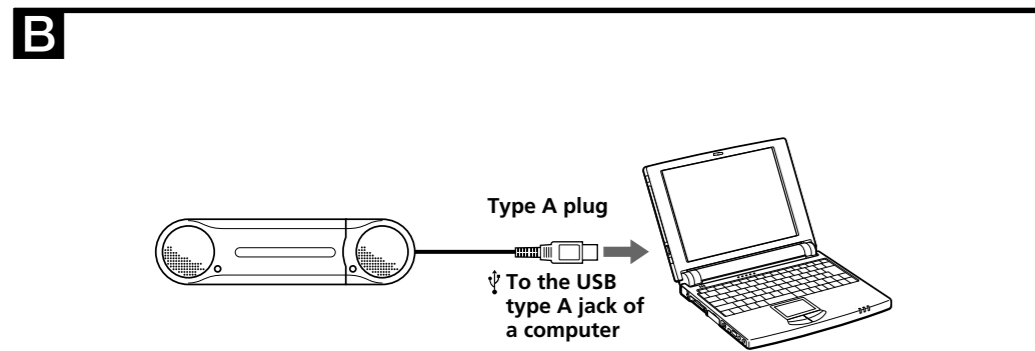
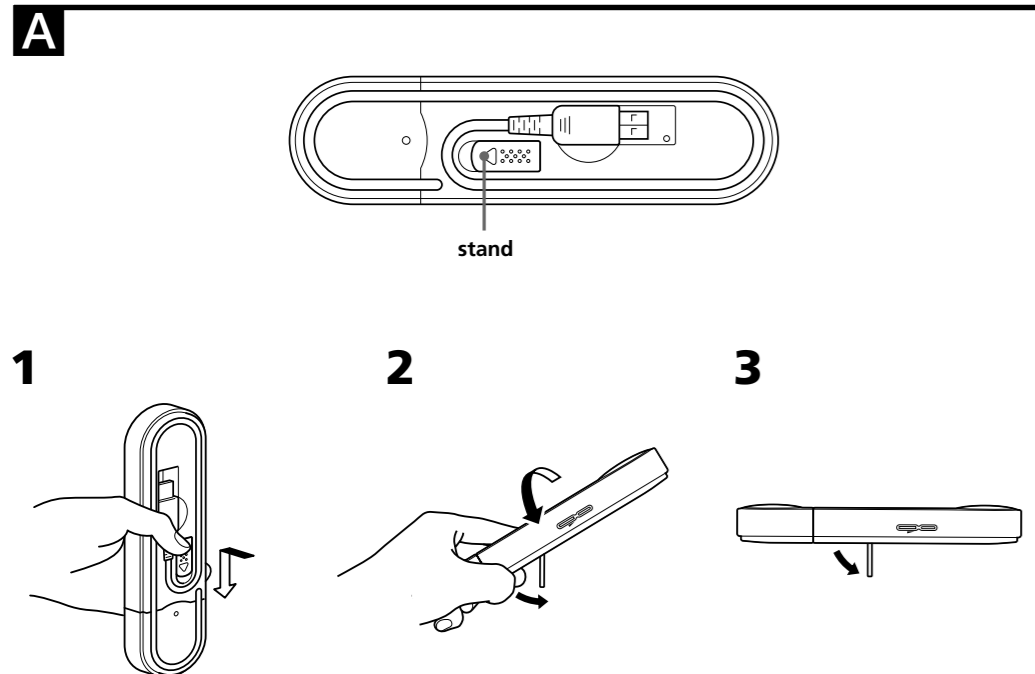
For details on the operation of your computer, refer to the manual of your computer.

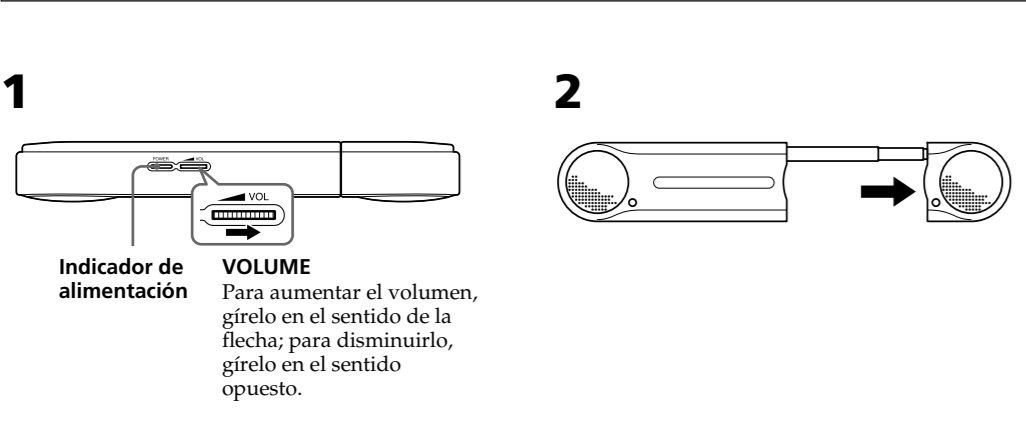
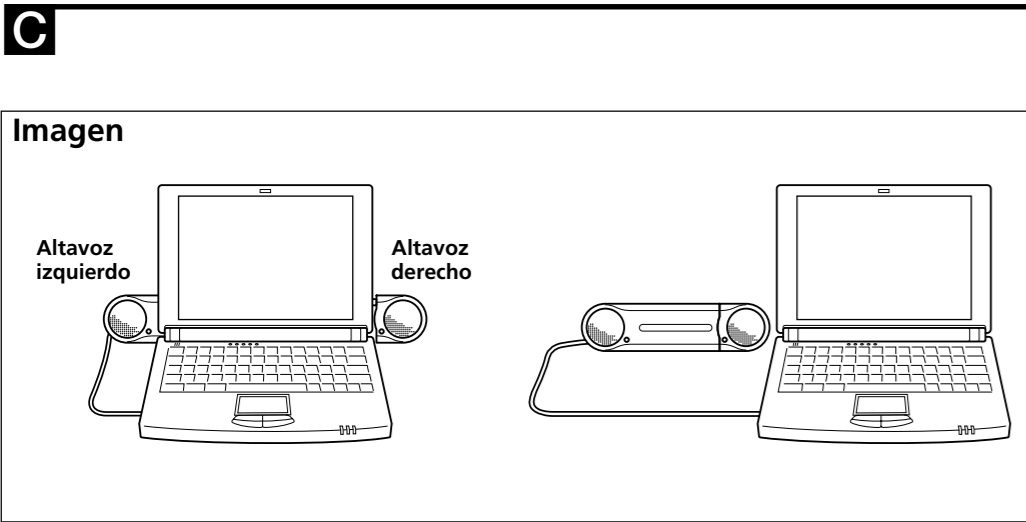
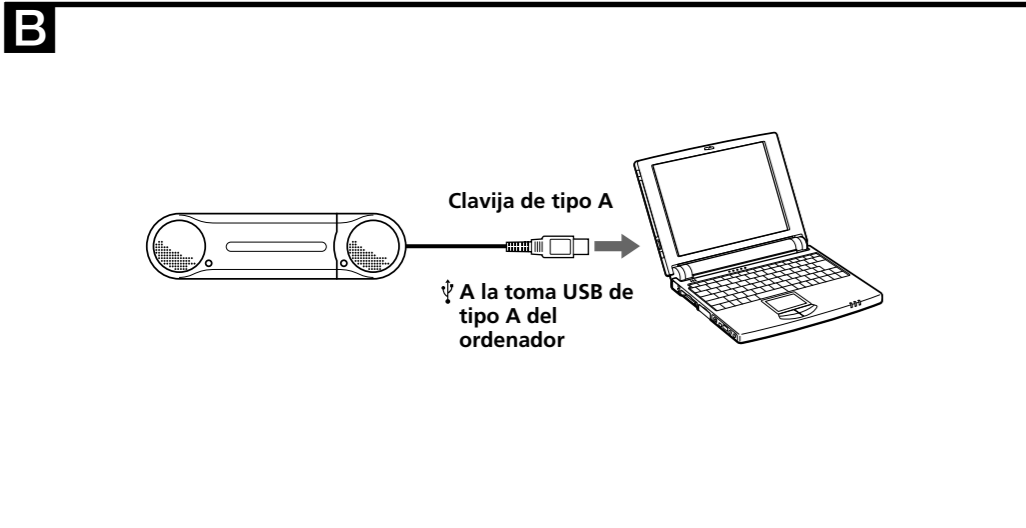
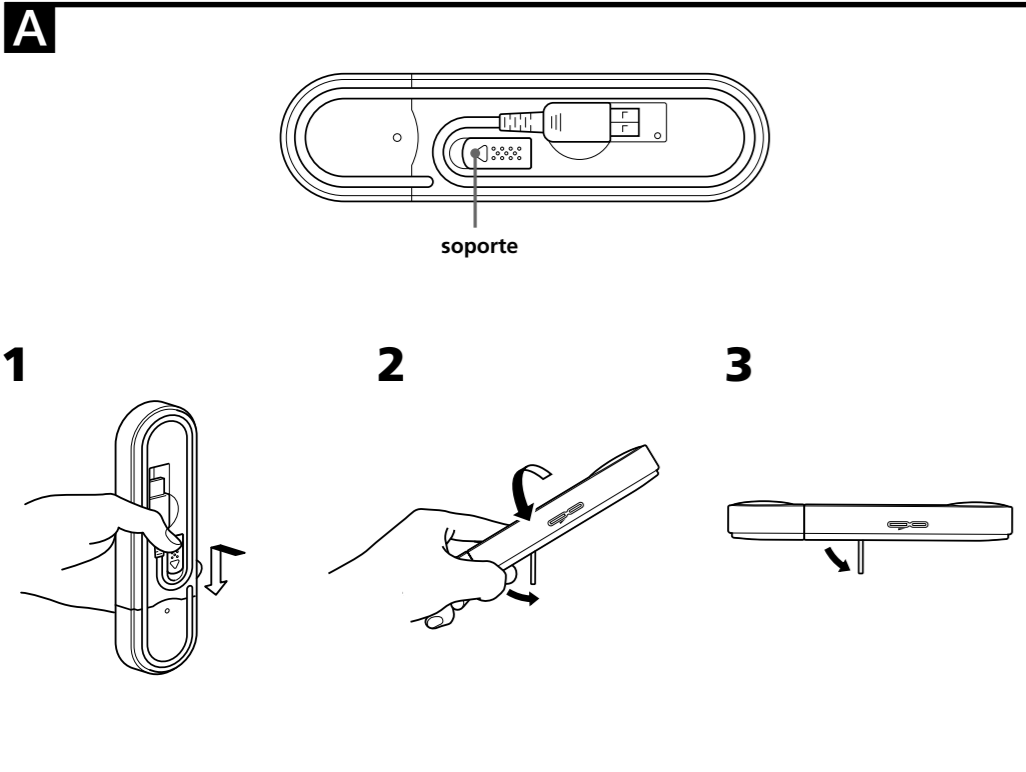
There can be some breakdowns that cannot be solved even with "Troubleshooting". In such cases, contact your nearest Sony dealer.

Specifications

USB section	
USB connector	Type A plug
USB cord length	Approx. 51 cm (20 1/8 inch)
Compliant OS	Windows XP, Windows 2000, Windows Me, Windows 98SE Complies with the standard operating systems that are installed
Compliant computer	IBM PC/AT or compatible computers
Recommended CPU	Pentium II 266MHz or faster
Amplifier section	
Maximum output power	0.6 W + 0.6 W (10 % T.H.D., 1 kHz, 20 Ω)
Input	USB terminal
Speaker section	
Enclosure type	Full range, Bass reflex
Speaker system	34 mm magnetically shielded
Impedance	20 Ω
Rated input power	1 W
General	
Power supply	USB bus power compliant (5 V, 500 mA)
Dimensions (w × h × d)	Approx. 209 × 53 × 24.2 mm (8 1/8 × 2 1/8 × 3/4 inch) (When extended approx. 428 × 53 × 24.2 mm, 16 7/8 × 2 1/8 × 3/4 inch) Approx. 250 g (9 oz.)
Mass	
Supplied accessories	Operating instructions (1)

Design and specifications are subject to change without notice.





Español

Para los clientes en México Sistema de altavoces activo POR FAVOR LEA DETALLADAMENTE ESTE MANUAL DE INSTRUCCIONES ANTES DE CONECTAR Y OPERAR ESTE EQUIPO. RECUERDE QUE UN MAL USO DE SU APARATO PODRÍA ANULAR LA GARANTÍA.

ADVERTENCIA

Para evitar incendios o riesgo de electrocución, no exponga la unidad a la lluvia ni a la humedad. Para evitar descargas eléctricas, no abra la unidad. En caso de avería, solicite los servicios de personal cualificado solamente. Para evitar el riesgo de incendio, no cubra la ventilación del aparato con periódicos, manteles, cortinas, etc., ni ponga velas encendidas encima del aparato. Para evitar el riesgo de incendio o electrocución, no coloque sobre el aparato objetos que contengan líquidos como, por ejemplo, un jarrón.

No instale el aparato en un espacio cerrado, como una estantería para libros o un armario empotrado.

La validez de la marca CE se limita únicamente a aquellos países en los que la legislación la impone, especialmente los países de la EEA (Área económica europea).

- Microsoft y Windows son marcas comerciales registradas de Microsoft Corporation en los Estados Unidos y/u otros países.
- En este manual, el término Windows XP se utiliza para indicar Microsoft® Windows® XP Home Edition y Microsoft® Windows® XP Professional.
- En este manual, el término Windows 2000 se utiliza para indicar Microsoft® Windows® 2000 Professional.
- En este manual, el término Windows Me se utiliza para indicar Microsoft® Windows® Millennium Edition.
- En este manual, el término Windows 98SE se utiliza para indicar Microsoft® Windows® 98 Second Edition.
- Todos los demás nombres de sistemas y productos son marcas comerciales o marcas comerciales registradas de sus respectivos propietarios. Las marcas ™ y ® se omiten en este manual.

Características

Diseño compacto

- Sistema de altavoces compacto de fácil transporte junto con el ordenador portátil. Dispone de una gran variedad de sonidos gracias a la conexión USB con el ordenador.
- Gracias a la alimentación suministrada a través del cable USB, no es necesario conectar un adaptador de alimentación de la ca ni pilas para los altavoces. (Observe que cuando el ordenador funciona con la alimentación de la batería, la vida útil de ésta se reduce.)
- El cable USB puede guardarse dentro de los altavoces.

Ajustes sencillos

- La varilla incorporada permite aumentar o disminuir libremente la distancia entre los altavoces.
- Sólo requiere una única conexión de toma USB.
- Es posible ajustar el volumen con el control de volumen.

Sonido de alta calidad

- El amplificador digital de 1 bit, clase D incorporado de nuevo desarrollo emite sonido digital con gran nitidez y el mínimo ruido procedente del ordenador.
- El altavoz con imán de neodimio de 34 mm de nuevo desarrollo ofrece un sonido profundo y equilibrado.
- El circuito MEGABASS incorporado mejora el sonido de los graves independientemente de los niveles de volumen de reproducción.

Precauciones

- Cuando termine de utilizar el sistema con el cable USB, desconecte dicho cable del ordenador si no va a utilizar el sistema durante un período de tiempo prolongado.
- No abra la unidad. Solicite asistencia técnica únicamente a personal cualificado.
- No deje el sistema cerca de fuentes de calor, ni en lugares expuestos a la luz solar directa, polvo excesivo, humedad, lluvia o golpes mecánicos.
- Si se introduce algún objeto sólido o líquido en el sistema, retire el cable USB y hágalo revisar por personal cualificado antes de seguir utilizándolo.
- No utilice alcohol, bencina o disolvente para limpiar la unidad.
- Aunque este sistema está magnéticamente protegido, no deje cintas grabadas, reles, tarjetas de crédito o discos que utilicen codificación magnética frente al sistema durante un largo período de tiempo.

Si la imagen del televisor o la pantalla del monitor aparece distorsionada debido al magnetismo

Aunque este sistema está magnéticamente protegido, es posible que, en ocasiones, la imagen de algunos ordenadores personales o televisores se distorsione debido al magnetismo. En tal caso, desactive una vez la alimentación del televisor o del ordenador personal y, transcurridos de 15 a 30 minutos, vuelva a activarla. En el caso del ordenador personal, tome las debidas medidas de precaución, como guardar los datos antes de desconectarlo.

Si el problema persiste, coloque el sistema más alejado del televisor o del ordenador personal. Además, asegúrese de no colocar objetos que tengan o utilicen imanes cerca del televisor o del ordenador personal, como soportes de audio, soportes de televisor, juguetes, etc. Éstos podrían ser la causa de la distorsión magnética en la imagen.

Si tiene preguntas o problemas referentes al sistema y no encuentra la solución en este manual, póngase en contacto con su distribuidor Sony más cercano.

Colocación del soporte

Cómo colocar el soporte (consulte la figura A)

- Deslice el soporte presionándolo en el sentido de la flecha

Nota
Si coloca el soporte sin deslizarlo, es posible que se dañe. Preste especial atención cuando coloque el soporte.

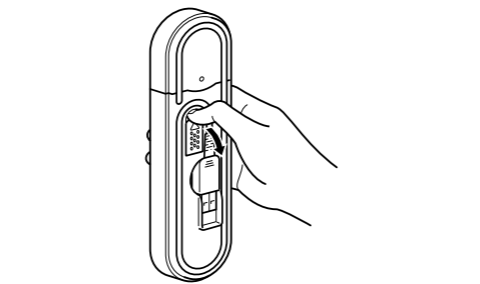
- Coloque el soporte.

- Tire del soporte hacia afuera hasta que quede completamente fijado.

Cuando gude el soporte, realice el procedimiento anterior en orden inverso.

Sugerencia

También puede colocar el soporte tal y como se indica en la ilustración.



Preparativos

Preparativo 1: Conexión (consulte la figura B)

- Extraiga el cable USB tirando de él desde la sección de almacenamiento del sistema.

- Conecte el conector USB (clavija de tipo A) del sistema al puerto USB del ordenador.

Notas sobre la conexión USB

- Si el ordenador está conectado a otros dispositivos USB a través de un concentrador, es posible que no se emita ningún sonido o que éste sea demasiado bajo. Conecte el sistema directamente al ordenador mediante el cable USB para evitar ruidos.
- Si el cable USB no está conectado correctamente, es posible que el ordenador no reconozca el sistema. Compruebe la dirección del conector y conecte el cable USB debidamente.

Preparativo 2: Instalación de los controladores del dispositivo (Windows XP)

Los controladores del dispositivo deben instalarse al conectar el sistema al puerto USB por primera vez. Éstos se incluyen en Windows XP, por lo que no se suministran con el sistema. Además, necesitará el CD-ROM de Windows XP para instalarlos. Si desea obtener más información, consulte el manual del ordenador.

- Encienda el ordenador e inicie Windows XP.

- Conecte el sistema al ordenador.

- Dispositivo compuesto USB/Dispositivo de audio USB/Dispositivo de interfaz humana USB se instalarán automáticamente.

Notas

- No es necesario realizar el procedimiento de instalación anterior cuando conecte el sistema a partir de la segunda vez. (Es posible que, cuando lo conecte a puertos USB distintos, sí deba realizar la instalación de nuevo.)
- Es posible que el procedimiento de instalación anterior difiera un poco en función de la versión de Windows XP.

Ajuste para reproducir un CD de música

Este ajuste es necesario si reproduce un CD de música en la unidad de CD-ROM.

- Seleccione “Panel de control” del menú “Inicio”.

- Haga clic en “Dispositivos de sonido, audio y voz”.

- Haga clic en el icono “Dispositivos de sonido y audio” para abrir “Propiedades de Dispositivos de sonido y audio”.

- Seleccione “Hardware”.

- Seleccione el icono del CD-ROM que utilizará para reproducir música de “Dispositivos” y haga clic en “Propiedades”.

- Seleccione “Propiedades”.

- Haga clic en la casilla de verificación “Habilitar audio digital de CD para este dispositivo de CD-ROM”.

- Seleccione “Aceptar” para salir del cuadro de diálogo.

Preparativo 2: Instalación de los controladores del dispositivo (Windows 2000)

Los controladores del dispositivo deben instalarse al conectar el sistema al puerto USB por primera vez. Éstos se incluyen en Windows 2000, por lo que no se suministran con el sistema. Además, necesitará el CD-ROM de Windows 2000 para poder instalarlos. Si desea obtener más información, consulte el manual del ordenador.

- Encienda el ordenador e inicie Windows 2000.

- Conecte el sistema al ordenador.

- Dispositivo compuesto USB/Dispositivo de audio USB/Dispositivo de interfaz humana USB se instalarán automáticamente.

Notas

- No es necesario realizar el procedimiento de instalación anterior cuando conecte el sistema a partir de la segunda vez. (Es posible que, cuando lo conecte a puertos USB distintos, sí deba realizar la instalación de nuevo.)
- Es posible que el procedimiento de instalación anterior difiera un poco en función de la versión de Windows 2000.

Ajuste para reproducir un CD de música Este ajuste es necesario si reproduce un CD de música en la unidad de CD-ROM.

- Seleccione “Configuración” – “Panel de control” en el menú “Inicio”.

- Haga doble clic en el icono “Sonidos y multimedia” para abrir “Propiedades de Sonidos y multimedia”.

- Seleccione “Hardware”.

- Seleccione el icono del CD-ROM que utilizará para reproducir música de “Dispositivos” y abra las “Propiedades”.

- Seleccione “Propiedades”.

- Haga clic en la casilla de verificación “Habilitar audio digital de CD para este dispositivo de CD-ROM”.

- Seleccione “Aceptar” para salir del cuadro de diálogo.

Preparativo 2: Instalación de los controladores del dispositivo (Windows Me)

Los controladores del dispositivo deben instalarse al conectar el sistema al puerto USB por primera vez. Éstos se incluyen en Windows Me, por lo que no se suministran con el sistema. Además, necesitará el CD-ROM de Windows Me para poder instalarlos. Si desea obtener más información, consulte el manual del ordenador.

- Encienda el ordenador e inicie Windows Me.

- Conecte el sistema al ordenador.

- Instale el Dispositivo USB Composite. El Dispositivo USB Composite se instala de manera automática.

- Instale el Dispositivo de audio USB
 - El [Asistente para agregar nuevo hardware] aparece inmediatamente después de instalar el Dispositivo USB Composite.

- Compruebe que aparece [Dispositivo de audio USB] en la ventana [Este asistente encontró el siguiente hardware nuevo] y que la casilla de verificación “Buscar automáticamente el controlador (recomendado)” está seleccionada. A continuación, haga clic en “Siguiente”.
- El Dispositivo de audio USB se instala de manera automática.
- Cuando aparezca [Windows ha terminado de instalar el nuevo dispositivo de hardware], haga clic en “Finalizar”.

- Instale el Dispositivo de interfaz humana USB

El Dispositivo de interfaz humana USB se instala automáticamente una vez instalado de Dispositivo de audio USB.

Notas

- No es necesario realizar el procedimiento de instalación anterior cuando conecte el sistema a partir de la segunda vez. (Es posible que, cuando lo conecte a puertos USB distintos, sí deba realizar la instalación de nuevo.)
- Es posible que el procedimiento de instalación anterior difiera un poco en función de la versión de Windows Me.

Ajuste para reproducir un CD de música Este ajuste es necesario si reproduce un CD de música en la unidad de CD-ROM.

- Seleccione “Configuración” – “Panel de control” en el menú “Inicio”.

- Haga doble clic en el icono “Sistema” para abrir “Propiedades de Sistema”.

- Seleccione “Administrador de dispositivos”.

- Haga doble clic en el icono del “CD-ROM”.

- Seleccione la unidad que desea utilizar para reproducir música y haga clic en “Propiedades”.

- Seleccione “Propiedades”.

- Haga clic en la casilla de verificación “Habilitar audio digital de CD para esta unidad de CD-ROM”.

- Seleccione “Aceptar” para salir del cuadro de diálogo.

Preparativo 2: Instalación de los controladores del dispositivo (Windows 98SE)

Los controladores del dispositivo deben instalarse al conectar el sistema al puerto USB por primera vez. Éstos se incluyen en Windows 98SE, por lo que no se suministran con el sistema. Además, necesitará el CD-ROM de Windows 98SE para poder instalarlos. Si desea obtener más información, consulte el manual del ordenador.

- Encienda el ordenador e inicie Windows 98SE.

- Conecte el sistema al ordenador.

Al conectar el sistema al ordenador, aparece el [Asistente para agregar nuevo hardware] y se inicia la instalación automática del controlador de dispositivo.

Instale cada uno de los controladores siguiendo las instrucciones que aparecen en pantalla. * Cuando aparezca un mensaje del tipo Inserte el disco Windows 98SE CD-ROM, inserte el CD-ROM de Windows 98SE en la unidad de CD-ROM y haga clic en “Aceptar”. En función del tipo de ordenador que utilice, es posible que deba especificar los nombres de unidad (como, por ejemplo, D:) o los nombres de archivo.

- Instale el Dispositivo USB Composite

- Compruebe que aparece [Dispositivo USB Composite] en la ventana [Este asistente busca nuevos controladores para:] y haga clic en “Siguiente”.
- Aparecerá [¿Qué desea que haga Windows?]. Compruebe que la casilla de verificación “Buscar el mejor controlador para su dispositivo. (Se recomienda.)” está seleccionada y haga clic en “Siguiente”. Aparecerá [Windows buscará nuevos controladores en la base de datos de controladores de su disco duro y en las ubicaciones siguientes que seleccione].
- Para los elementos comprobados al principio, coloque una marca en la casilla de verificación “Unidad de CD-ROM” y haga clic en “Siguiente”. Aparecerá [Búsqueda del archivo de controlador para el dispositivo:].
- Compruebe que aparece [Dispositivo USB Composite] y haga clic en “Siguiente”. Se copiará el controlador.
- Cuando aparezca [Windows ha terminado de instalar el software requerido por su nuevo dispositivo de hardware], haga clic en “Finalizar”.

- Instale el Dispositivo de interfaz humana USB

- Compruebe que aparece [Dispositivo de interfaz humana USB] en la ventana [Este asistente busca nuevos controladores para:] y haga clic en “Siguiente”.
- Aparecerá [¿Qué desea que haga Windows?]. Compruebe que la casilla de verificación “Buscar el mejor controlador para su dispositivo. (Se recomienda.)” está marcada y haga clic en “Siguiente”. Aparecerá [Windows buscará nuevos controladores en la base de datos de controladores de su disco duro y en las ubicaciones siguientes que seleccione].
- Para los elementos comprobados al principio, coloque una marca en la casilla de verificación “Unidad de CD-ROM” y haga clic en “Siguiente”. Aparecerá [Búsqueda del archivo de controlador para el dispositivo:].
- Compruebe que aparece [Dispositivo de interfaz humana USB] y haga clic en “Siguiente”. Se copiará el controlador.
- Cuando aparezca [Windows ha terminado de instalar el software requerido por su nuevo dispositivo de hardware], haga clic en “Finalizar”.

- Instale el Dispositivo de audio USB

- Compruebe que aparece [Dispositivo de audio USB] en la ventana [Este asistente busca nuevos controladores para:] y haga clic en “Siguiente”.
- Aparecerá [¿Qué desea que haga Windows?]. Compruebe que la casilla de verificación “Buscar el mejor controlador para su dispositivo. (Se recomienda.)” está seleccionada y haga clic en “Siguiente”. Aparecerá [Windows buscará nuevos controladores en la base de datos de controladores de su disco duro y en las ubicaciones siguientes que seleccione].
- Para los elementos comprobados al principio, coloque una marca en la casilla de verificación “Unidad de CD-ROM” y haga clic en “Siguiente”. Aparecerá [Búsqueda del archivo de controlador para el dispositivo:].
- Compruebe que aparece [Dispositivo de audio USB] y haga clic en “Siguiente”. Se copiará el controlador.
- Cuando aparezca [Windows ha terminado de instalar el software requerido por su nuevo dispositivo de hardware], haga clic en “Finalizar”.

Notas

- No es necesario realizar el procedimiento de instalación anterior cuando conecte el sistema a partir de la segunda vez. (Es posible que, cuando lo conecte a puertos USB distintos, sí deba realizar la instalación de nuevo.)
- Es posible que el procedimiento de instalación anterior difiera un poco en función de la versión de Windows 98SE.

Ajuste para reproducir un CD de música Este ajuste es necesario si reproduce un CD de música en la unidad de CD-ROM.

- Seleccione “Configuración” – “Panel de control” en el menú “Inicio”.

- Haga doble clic en el icono “Multimedia” para abrir “Propiedades de Multimedia”.

- Seleccione “Música de CD”.

- Active la casilla de verificación “Habilitar el CD de sonido digital para este dispositivo de CD-ROM”.

- Seleccione “Aceptar” para salir del cuadro de diálogo.

Utilización (consulte la figura C)

En primer lugar, baje el volumen del sistema. El volumen debe estar al mínimo antes de iniciar la reproducción del dispositivo conectado. Si instala el sistema con el soporte, consulte “Colocación del soporte”.

- Encienda el ordenador El indicador POWER se enciende.

- Tire del altavoz izquierdo del sistema y extienda el eje.

- Notas
- Sostenga las dos cajas con las manos cuando extienda el eje.
- No retuerza los altavoces.

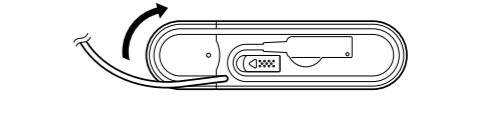
- Inicie el software de reproducción de música en el ordenador

Nota
Si el sistema está conectado mientras se ejecuta el software de música en el ordenador, es posible que el sistema no emita música. Detenga el software de música una vez y reinicielo. El sistema emitirá música.

Para ajustar el volumen

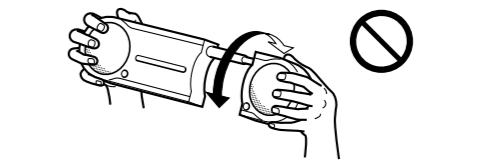
Para establecer el volumen apropiado, ajuste el control VOLUME de los altavoces o el control de volumen del ordenador.

Para guardar el cable USB Guarde el cable USB tal y como se indica en la ilustración.



Notas sobre el uso

- Si el sonido es bajo incluso aumentando el volumen del sistema, es posible que el volumen del ordenador esté ajustado a un nivel bajo. Compruebe el volumen del ordenador en el panel de control. El volumen puede variar en función de los niveles de grabación del software.
- Si sólo oye música en el sistema cuando el ordenador funciona con la batería, se recomienda que ajuste el control de brillo del ordenador al mínimo para aumentar la duración de la batería. Emplee el adaptador de ca cuando utilice el sistema durante un período de tiempo prolongado.
- Precaure que el sistema no emita pitidos continuamente; de este modo evitará que se reduzca la duración de la batería así como posibles fallos de funcionamiento provocados por un exceso de corriente.
- No utilice el sistema a través de un concentrador USB. El volumen del altavoz podría reducirse. Conecte el sistema directamente al ordenador mediante el cable USB.
- Cuando conecte la clavija USB al ordenador, no la extraiga ni la inserte continuamente o a la fuerza, ya que el ordenador podría no reconocer el sistema o el sistema podría no emitir ningún sonido o funcionar incorrectamente.
- Conecte el sistema a la toma USB (toma de tipo A) del ordenador. Si desea obtener más información, consulte el manual del ordenador.
- No retuerza los altavoces izquierdo y derecho para evitar que se desconecten.



- Cuando verifique la conexión entre el sistema y el ordenador, compruebe el administrador de dispositivos del ordenador. Si desea obtener más información, consulte el manual del ordenador.
- En el caso de que el ordenador disponga de dos o más tomas USB, el sistema no puede utilizarse a la vez con otros dispositivos USB. En caso contrario, la salida de los altavoces podría ser baja y podrían producirse saltos de sonido o ruido. Si desea obtener más información, consulte el manual del ordenador.
- No se garantiza el funcionamiento con sistemas operativos Windows instalados en equipos de instalación propia, sistemas operativos Windows actualizados o sistemas operativos no compatibles.
- Sony recomienda la utilización de ordenadores con una CPU Pentium II a 266 MHz o superior. Si la CPU no cumple los requisitos mínimos o si se ejecutan otras aplicaciones simultáneamente, la lectura de los datos podría omitirse, lo que provocaría ruido o un sonido intermitente.
- Si se utiliza un cable prolongador para una conexión USB, es posible que se produzcan fallos de funcionamiento o que la salida de los altavoces sea baja.
- Si el sonido de los altavoces se emite distorsionado o con excesivo ruido, ajuste el volumen del sistema y el del ordenador mediante el panel de control.
- Si el sonido de alarma del ordenador y el de reproducción no están equilibrados, ajústelos siguiendo las instrucciones del manual del ordenador.
- Sony recomienda realizar una copia de seguridad de los datos importantes antes de instalar los controladores de dispositivo USB. Sony no se responsabilizará en caso de imposibilidad de uso del ordenador o de pérdida de datos debido a un funcionamiento incorrecto o a una avería.
- Cuando utilice la función de reanudación tras suspensión (suspensión del sistema, hibernación del mismo, etc.), es posible que los altavoces del sistema no funcionen correctamente. En tal caso, reinicie la aplicación o el ordenador.

- No desconecte ni vuelva a conectar el cable USB mientras reproduce música con un reproductor de CD o un reproductor multimedia. Si lo hace, es posible que se produzcan fallos de funcionamiento o incluso una avería.
- No desconecte ni vuelva a conectar el cable USB del sistema mientras el ordenador esté encendido. De lo contrario, podría producirse un fallo de funcionamiento. No obstante, si desconecta y vuelve a conectar el cable USB, reinicie el sistema tras cerrar todas las aplicaciones de software abiertas.

Solución de problemas

El sonido está distorsionado.

- La señal de entrada es demasiado alta.
- Baje el volumen del ordenador.
- En función del software que utilice, puede ajustar el equalizador para que la curva se haga más plana.

El sonido es bajo o no se emite ningún sonido.

VOLUME debe estar ajustado en MIN.

- Ajuste VOLUME.
- El sonido es bajo.
- El control de volumen del ordenador o el volumen del software de reproducción de música deben haberse bajado.
- Ajuste el control de volumen.

No se emite ningún sonido.

- El cable USB no está conectado correctamente.
- Conéctelo adecuadamente.
- El sistema se ha conectado mientras se reproducía el software de música.
- Detenga la reproducción del software de música y empiece de nuevo.
- El dispositivo de reproducción de audio del ordenador no se ha ajustado correctamente.
- Windows XP: Seleccione “Audio” en [Propiedades de Dispositivos de sonido y audio] y, a continuación, seleccione “USB Audio CODEC” como [Dispositivo predefinido] en el menú Reproducción de sonidos.
- Windows 2000: Seleccione “Audio” en [Propiedades de Sonidos y multimedia] y, a continuación, seleccione “Dispositivo de audio USB” como [Dispositivo preferido] en el menú Reproducción de sonidos.
- Windows Me: Seleccione “Audio” en [Propiedades de Sonidos y Multimedia] y, a continuación, seleccione “Dispositivo de audio USB” como [Dispositivo preferido] en el menú Reproducción de sonidos.
- Windows 98SE: Seleccione “Sonido” en [Propiedades de Multimedia] y, a continuación, seleccione “Dispositivo de audio USB” como [Dispositivo preferido] en el menú Reproducción.
- El control de volumen del ordenador o el software de reproducción de música se ha ajustado en “Silencio”.
- Quite la función de silenciamiento.
- No se reconoce el puerto USB.
- Tras salir del software de reproducción, reinicielo. Si el problema persiste, reinicie el ordenador.
- USB no está disponible.
- Compruebe el administrador de dispositivos del ordenador.

El sonido se emite distorsionado, con ruido o no se emite ningún sonido.

- La CPU del ordenador está sobrecargada.
- Cierre las demás aplicaciones.
- El sistema se está utilizando a través de un concentrador USB.
- Conecte el sistema directamente a la toma USB del ordenador.

Los altavoces no emiten ningún sonido al utilizar el micrófono incorporado o externo del ordenador conectado.

- El dispositivo de grabación de audio del ordenador no se ha ajustado correctamente.
- Cambie el dispositivo de grabación de audio del ordenador del dispositivo de audio USB al dispositivo de audio o al micrófono externo instalado.

Para obtener más información acerca del funcionamiento del ordenador, consulte el manual de instrucciones suministrado con el mismo.

El apartado “Solución de problemas” no puede resolver todas las averías. En caso de avería que no pueda resolverse mediante este apartado, póngase en contacto con el distribuidor Sony más cercano.

Especificaciones

Sección USB

Conector USB	Clavija de tipo A
Longitud del cable USB	Aproximadamente 51 cm
Sistemas operativos compatibles	
	Windows XP, Windows 2000, Windows Me y Windows 98SE compatible con los sistemas operativos estándar instalados

Ordenadores compatibles	IBM PC /AT u ordenadores compatibles
CPU recomendada	Pentium II a