



English

WARNING

To prevent fire or shock hazard, do not expose the unit to rain or moisture.

To prevent fire, do not cover the ventilation of the apparatus with newspapers, table-cloths, curtains, etc. And don't place lighted candles on the apparatus. To prevent fire or shock hazard, do not place objects filled with liquids, such as vases, on the apparatus.

Do not install the appliance in a confined space, such as a bookcase or built-in cabinet.

Precautions

On safety

- Before operating the subwoofer, be sure that the operating voltage of your subwoofer is identical with that of your local power supply.
- Unplug the subwoofer from the wall outlet if it is not to be used for an extended period of time. To disconnect the cord, pull the cord by grasping the plug. Never pull the cord itself.
- Should any liquid or solid object fall into the subwoofer, unplug the subwoofer and have the subwoofer checked by qualified personnel before operating it any further.
- AC power cord must be changed only at the qualified service shop.

When turning on or off an amplifier or other equipment

Lower the volume of the amplifier to minimum.

To avoid damaging the subwoofer

- Be careful in setting the volume control of the amplifier to avoid an excessive input power.
- Do not attempt to open the enclosure or remold speaker units and networks.

In case color irregularity is observed on the nearby TV screen

With the magnetically shielded type of the speaker system, the speakers can be installed near a TV set. However, color irregularity may still be observed on the TV screen depending on the type of your TV set.

If color irregularity is observed...

→ Turn off the TV set once, then turn it on after 15 to 30 minutes.

If color irregularity is observed again...

→ Place the speakers further apart from the TV set.

When howling occurs

Relocate the speaker or turn down the volume of the amplifier.

On installation

- Do not install the subwoofer near heat sources such as radiators or air ducts, or in a place subject to direct sunlight, excessive dust, mechanical vibration or shock.
- Good ventilation is essential to prevent internal heat build-up in the subwoofer. Place the subwoofer in a location with adequate air circulation. Do not place the subwoofer on a soft surface.
- Use caution when placing the speaker on a specially treated (waxed, oiled, polished, etc.) floor, as staining or discoloration may result.
- Take care to avoid any possible injury on the corners of the subwoofer.

On cleaning the cabinet

Clean the cabinet with a soft cloth lightly moistened with water. Do not use any type of abrasive pad, scouring powder or solvent such as alcohol or benzine.

If you have any questions or problems concerning your subwoofer that is not covered in this manual, please consult your nearest Sony dealer.

Installation

Since the human ear cannot detect the direction and position where the bass sound being reproduced by a subwoofer (below 200 Hz) comes from, you can install the subwoofer wherever you like in your room. To obtain a better bass reproduction, we recommend you to install the subwoofer on a solid floor where the resonance is unlikely to occur. You can obtain sufficient heavy bass reproduction from a single subwoofer. However, if you use a couple of subwoofers, you can obtain an even more effective heavy bass reproduction.

Notes

- Always install the subwoofer vertically, keeping a few centimeters away from the wall.
- Do not place an object on the subwoofer or sit on it.
- If the subwoofer is installed in the center of a room, the bass could be extremely weakened. This is due to the influence of the standing wave of the room. If this happened, move the subwoofer away from the center of a room or eliminate the cause of the standing wave, by installing a bookshelf on the wall, etc.

Hooking Up the System

Overview

Use the LINE IN jacks or the SPEAKER IN terminals of the subwoofer when you connect the amplifier.

- If your amplifier has one of the following types of output jacks, connect the LINE IN jack and the amplifier's jack using the supplied audio connecting cord.
 - MONO OUT jack
 - MIX OUT jack
 - SUBWOOFER output jack(s)
 - SUPER WOOFER output jack(s)

- If your amplifier does not have the above mentioned output jacks, connect the speaker terminals of the amplifier to the SPEAKER IN terminals instead. (A)

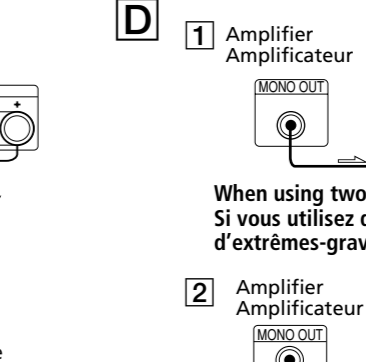
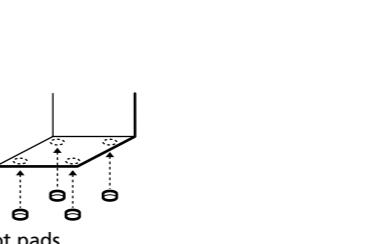
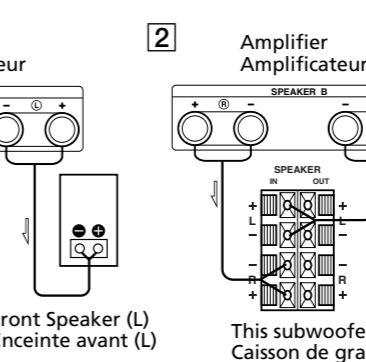
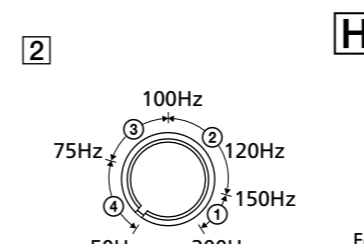
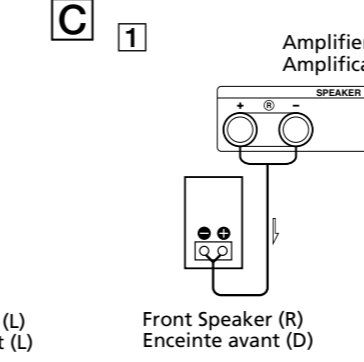
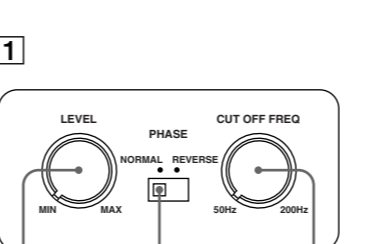
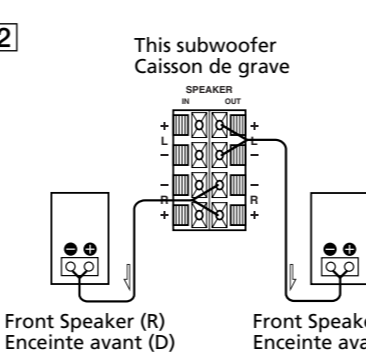
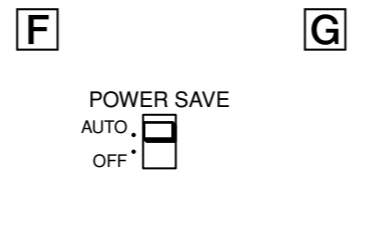
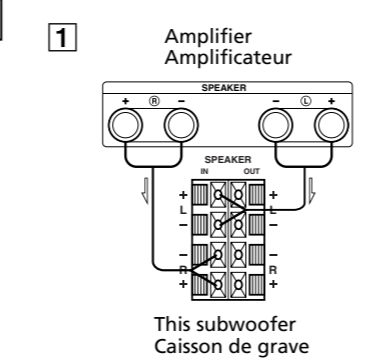
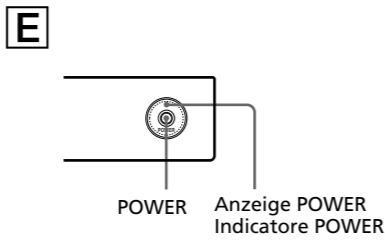
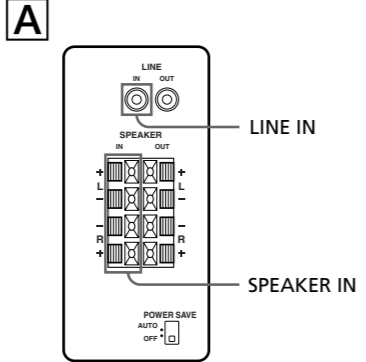
Before you get started

- Turn off the power of the amplifier and the subwoofer before making any connection.
- Use the audio connecting cords that are supplied to the respective equipment. If there are not enough audio connecting cords to make the necessary connections, you need to purchase some optional audio connecting cords.
- Be sure to make connections firmly to avoid noise.
- Connect the AC power cord from the subwoofer to a wall outlet.
- You cannot connect the CENTER output jack for use with Dolby Pro Logic function to the subwoofer. Bass sound is not output with some Dolby Pro Logic modes.

Connecting to an amplifier with a single set of speaker terminals (B)

If your amplifier is equipped with a single set of speaker terminals, connect the subwoofer to the amplifier, and then connect the front speakers to the subwoofer.

© 2003 Sony Corporation Printed in Malaysia



Hookups

- Connect the subwoofer to the amplifier. Connect the SPEAKER IN terminals of the subwoofer to the amplifier's speaker terminals with the speaker cords. Be sure to connect both L and R channels.

- Connect the front speakers to the subwoofer. Connect the speakers to the SPEAKER OUT terminals of the subwoofer.

Connecting to an amplifier with double (A+B) sets of speaker terminals (C)

If your amplifier has double (A+B) sets of speaker terminals, connect both the subwoofer and the front speakers to the amplifier.

Hookups

- Connect the front speakers to the amplifier. Connect the speakers to your amplifier's SPEAKER A terminals.

- Connect the subwoofer to the amplifier. Connect the SPEAKER IN terminals of the subwoofer to the amplifier's SPEAKER B terminals using the supplied speaker cords.

When using the double (A+B) sets of speakers, make sure that you select the "A+B" position with your amplifier.

Note

When you are using SPEAKER A terminal (front speaker) only or when the power of the amplifier is turned off, turn down the volume or turn off the power of the subwoofer. Otherwise, hum noise may be heard.

Connecting to an amplifier with a special jack for a subwoofer

If your amplifier has a special jack for a subwoofer (such as MONO OUT jack, MIX OUT jack, SUBWOOFER jack or SUPER WOOFER jack), connect the LINE IN jack of the subwoofer to one of those jacks.

Hookups (D)

Connect the MONO OUT jack of your amplifier to the LINE IN jack of the subwoofer with the supplied audio connecting cord.

Note

If the output level of your amplifier is not large enough, the sound may not be loud enough. In this case, connect the speaker terminals of the amplifier directly to the SPEAKER IN terminals of the subwoofer.

Connecting the AC power cord

- Connect the AC power cord from the subwoofer and from your amplifier to a wall outlet.
- Make sure that power to the subwoofer is turned off before you plug in or unplug any power cord.

Listening to the Sound (E)

- Turn on the amplifier and select the program source.
- Press POWER. The subwoofer turns on and the POWER indicator lights up in green.
- Play the program source. Adjust the VOLUME so that sound from the front speakers is not distorted. If it is distorted, the sound from the subwoofer will also be distorted.

Turning the power on and off automatically – Auto power on/off function (F)

When the subwoofer is on (i.e. the POWER indicator lights up green) and there is no signal input for about seven minutes, the POWER indicator changes to red and the subwoofer enters power saving mode. While in this mode a signal is input to the subwoofer, the subwoofer automatically turns on (auto power on/off function). To turn this feature off, slide the POWER SAVE switch on the rear panel to OFF.

Notes

- Never set the amplifier's tone control (BASS, TREBLE, etc.) or the equalizer output to a high level or input sinewaves of 20 Hz to 50 Hz recorded on a commercially-available test disc or special sound (bass sound of electronic musical instrument, pop noise of analog disc turntable, sound with abnormally enhanced bass, etc.) in a high level to this unit. These actions may cause damage to the speakers.
- When a special disc containing abnormally enhanced bass is played, noise may be output in addition to the original sound. In such a case, reduce the sound level.
- The subwoofer output signal (DOLBY digital signal) of the digital surround processor sold singularly is set 10 dB higher by Dolby Laboratories Licensing Corporation. In the case of using normally, adjust the subwoofer level.
- If you turn down the volume level of the subwoofer too low, the auto power on/off function may activate, causing the subwoofer to enter power saving mode.

Adjusting the Sound (G)

You can adjust the sound of the subwoofer to suit the sound of your front speakers. Reinforcing the bass sound gives you a greater sense of atmosphere.

- Adjust the cut-off frequency. Turn the CUT OFF FREQ control, depending on the reproduction frequencies of your front speakers. Refer to the following when adjusting.
 - Typical very small sized speakers: 5 – 7 cm dia.
 - Typical small sized speakers: 8 – 15 cm dia.
 - Typical medium sized speakers: 16 – 24 cm dia.
 - Typical large sized speakers: more than 25 cm dia.
- To make the most of the low level converter function of Dolby digital, turn the CUT OFF FREQ as high as possible when playing back the Dolby digital.

- Adjust the volume level of the subwoofer. Turn the LEVEL control so that you can hear the bass sound a little more than before. To increase the volume, turn the control clockwise. To reduce the volume, turn the control counterclockwise.

- Play your favorite song and movie. Male vocal tunes and voice containing bass sounds are most suitable for adjustment. Turn the volume for front speakers to the same level as usual.

- Select the phase polarity. Turn the PHASE selector to select the phase polarity.

- Repeat steps 1 to 4 to adjust for your preference.

Once you have adjusted the subwoofer to the settings you want, use the VOLUME control of the amplifier to adjust the volume of the subwoofer with that of the other speakers. You don't need to adjust the subwoofer settings when you change the volume level of the amplifier.

Notes

- If the sound distorts when you turn on the bass reinforcement from your amplifier (such as, DBFB, GROOVE, the graphic equalizer, etc.), turn off the bass reinforcement and adjust the sound.
- Do not turn the volume of the subwoofer to maximum. Doing so may weaken the bass sound. Moreover, extraneous noise may be heard.
- Selecting NORMAL or REVERSE with the PHASE selector reverses the polarity and may provide better bass reproduction in certain listening environments (depending on the type of front speakers, the position of the subwoofer and the adjustment of the cut-off frequency). It may also change the expansion and tightness of sound, and effect the feeling of the sound field. Select the setting that provides the sound you prefer when listening in your normal listening position.

Setting the speaker (H)

To prevent speaker vibration or movement while listening, attach the supplied foot pads to the speaker.

Troubleshooting

If you experience any of the following difficulties while using the subwoofer, use this troubleshooting guide to help you remedy the problem. Should any problem persist, consult your nearest Sony dealer.

There's no sound.

- Check that this subwoofer and components are connected correctly and securely.
- Turn LEVEL clockwise to turn the volume up.
- Select SPEAKER or LINE with INPUT selector.
- Reset the level.

The sound has suddenly stopped.

- The speaker cords may have short-circuited. Connect the cords properly.

The sound is distorted.

- The input signal is imperfect.
- The input signal level is too high.
- Set the CUT OFF FREQ as high as possible when playing back the Dolby digital.

Severe hum or noise is heard.

- Connect the ground wire of the turntable properly.
- The contacts between the plugs of the connecting cords and the corresponding jacks have not been made properly. Connect the plugs firmly.
- The audio system is picking up some noise from a TV set. Move the audio system away from the TV set or turn the TV set off.

Specifications

System

Type
Active Subwoofer (magnetically shielded design)

Speaker unit
Woofer: 30 cm dia., cone type

Amplifier section
Continuous RMS output : 150 W (DIN)

Reproduction frequency range
20 Hz – 200 Hz

High frequency cut-off frequency
50 Hz – 200 Hz

Phase selector
NORMAL, REVERSE

Inputs

Input jacks
LINE IN: input pin jack

SPEAKER IN: input terminals

Output jacks
LINE OUT: output pin jack

SPEAKER OUT: output terminals

General

Power requirements
230 V AC, 50/60 Hz

Power consumption
110 W

Dimensions
Approx. 360 x 425 x 412 mm (w/h/d)

Mass
19 kg

Supplied accessories

Foot pads (4)
Audio connecting cord (1 phono – 1 phono), 2 m (1)
Speaker cords, 2.5 m (2)

Design and specifications are subject to change without notice.

Français

AVERTISSEMENT

Afin d'éviter tout risque d'incendie ou d'électrocution, ne pas exposer cet appareil à la pluie ou à l'humidité. Pour éviter tout risque d'incendie, ne couvrez pas les ouïes de ventilation de cet appareil avec des journaux, une nappe, un rideau, etc. Par ailleurs, ne déposez pas une bougie allumée sur l'appareil. Pour éviter tout risque d'incendie et de secousse électrique, ne déposez aucun objet remplis de liquide, tels qu'un vase, sur l'appareil.

Ne pas installer l'appareil dans un espace confiné, comme dans une bibliothèque ou un placard mural.

Précautions

Sécurité

- Avant d'utiliser le caisson de grave, vérifiez que sa tension de fonctionnement est identique à celle du secteur local.
- Si vous prévoyez de ne pas utiliser le caisson pendant longtemps, débranchez-le de la prise murale. Pour débrancher le cordon d'alimentation secteur, tirez sur la fiche. Ne jamais tirer sur le cordon proprement dit.
- Si un liquide ou un solide tombait dans le coffret, débranchez le caisson et faites-le contrôler par un technicien qualifié avant de le remettre en service. Un cordon d'alimentation secteur doit être changé par un professionnel seulement.

Avant d'allumer ou d'éteindre l'amplificateur ou un autre appareil

N'oubliez pas de baisser complètement le volume.

Pour éviter d'endommager le caisson de grave

- Réglez avec soin le volume de l'amplificateur pour éviter toute entrée de son excessive.
- Ne pas essayer d'ouvrir le coffret ou de modifier les haut-parleurs et les circuits.

Si vous observez des anomalies de couleurs sur l'écran du téléviseur installé à proximité du caisson

Normalement les enceintes ont un blindage magnétique et peuvent être installés près d'un téléviseur, mais il est possible d'observer des anomalies de couleurs avec certains types de téléviseur.

Si vous observez des anomalies de couleurs...

→ Éteignez le téléviseur, puis rallumez-le 15 à 30 minutes plus tard.

S'il n'y a aucun changement...

→ Éloignez les enceintes du téléviseur.

En cas de rétroaction acoustique

Changez l'emplacement des enceintes ou baissez le volume de l'amplificateur.

Installation

- Ne pas installer le caisson de grave près d'une source de chaleur, comme un radiateur ou une bouche d'air chaud, dans un endroit en plein soleil ou exposé à de la poussière, des vibrations ou des chocs mécaniques.
- Une bonne ventilation est essentielle pour éviter une surchauffe interne du caisson. Installez le caisson dans un endroit où la circulation d'air est suffisante. Ne pas l'installer sur une surface molle.
- Prenez les précautions nécessaires lors de l'installation du haut-parleur sur un plancher traité (cire, huile, verni, etc.) pour éviter l'apparition de taches ou la décoloration du sol.
- Veillez à ne pas vous blesser en heurtant les coins du caisson.

Nettoyage du coffret

Nettoyez le coffret avec un chiffon doux légèrement imprégné d'eau. Ne pas utiliser de tampons abrasifs, poudre à récurer ou diluant, comme l'alcool ou la benzine.

Pour toute question ou problème au sujet du caisson de grave, veuillez contacter votre revendeur Sony le plus proche.

Installation

Comme l'oreille humaine ne peut pas détecter la direction ni la position des basses reproduites par un caisson de grave (en dessous de 200 Hz), vous pouvez installer le caisson où vous voulez dans la pièce. Pour obtenir une meilleure reproduction du grave, il est toutefois conseillé de l'installer sur un sol ferme, où la résonance est peu probable. Vous pouvez obtenir une reproduction des graves suffisamment puissante en utilisant qu'une seule enceinte d'extrêmes graves. Toutefois, si vous installez une paire d'enceinte d'extrêmes graves, la reproduction des graves que vous obtenez sera beaucoup plus puissante.

Remarques

- L'enceinte d'extrêmes graves doit toujours se trouver verticale, à quelques centimètres de la paroi du mur.
- Ne pas poser d'objet sur le caisson ni s'asseoir dessus.
- Si le caisson est installé au centre d'une pièce, le son grave est extrêmement affaibli. Ce phénomène est dû aux ondes stationnaires de la pièce. Le cas échéant, éloignez le caisson du centre de la pièce, ou éliminez la cause des ondes stationnaires, en installant, par exemple, une étagère.

Raccordement du système

Aperçu

- Utilisez les prises LINE IN ou les bornes SPEAKER IN du caisson quand vous raccordez l'amplificateur.
- Si votre amplificateur comporte l'un des modèles de prises de sortie suivants, raccordez-la à la prise LINE IN et la prise de l'amplificateur à l'aide du câble de connexion audio fourni.
 - MONO OUT
 - Prise MIX OUT
 - Prise (s) de sortie SUBWOOFER
 - Prise (s) de sortie SUPER WOOFER
- Si l'amplificateur n'offre aucune des prises de sortie indiquées, reliez les bornes d'enceintes de l'amplificateur aux bornes SPEAKER IN. (A)

Avant de commencer

- Éteignez l'amplificateur et le caisson de grave avant de les relier.
- Utilisez les cordons audio fournis avec les différents appareils. Si vous n'avez pas assez de cordons pour faire les liaisons nécessaires, vous devrez acheter des cordons de liaison audio en option.
- Veillez à insérer à fond les fiches dans les prises pour éviter toute source de bruit.
- Branchez le cordon d'alimentation secteur du caisson sur une prise murale.
- Vous ne pouvez pas relier la prise de sortie CENTER à ce caisson pour utiliser la fonction Dolby Pro Logic. Le son grave n'est pas fourni par certains modes Dolby Pro Logic.

Raccordement à un amplificateur avec une seule paire de bornes d'enceintes (B)

Si votre amplificateur n'a qu'une seule paire de bornes d'enceintes, raccordez le caisson de grave à l'amplificateur, puis les enceintes avant au caisson de grave.

Raccordements

- Raccordez le caisson de grave à l'amplificateur. Raccordez les bornes SPEAKER IN du caisson aux bornes d'enceintes de l'amplificateur avec les cordons d'enceintes. Veillez à raccorder les canaux gauche (L) et droit (R).

- Raccordez les enceintes avant au caisson de grave. Raccordez les enceintes aux bornes SPEAKER OUT du caisson de grave.

Raccordement à un amplificateur avec double paire (A+B) de bornes d'enceintes (C)

Si votre amplificateur a une double paire de bornes d'enceintes (A+B), raccordez le caisson de grave et les enceintes avant à l'amplificateur.

Raccordements

- Raccordez les enceintes avant à l'amplificateur. Reliez les enceintes aux prises SPEAKER A de l'amplificateur.

- Raccordez le caisson de grave à l'amplificateur. Reliez les prises SPEAKER IN de l'enceinte d'extrêmes graves aux prises SPEAKER B de l'amplificateur en vous servant des cordons d'enceinte fournis.

Quand vous utilisez la double paire de prises (A+B), veillez à sélectionner la position "A+B" sur l'amplificateur.

Remarque

Si vous n'utilisez que la prise SPEAKER A (enceinte avant), ou encore si l'alimentation de l'amplificateur est coupée, diminuez le niveau sonore ou bien coupez l'alimentation de l'enceinte d'extrêmes graves. Dans le cas contraire, vous pourriez entendre un roulement.

Raccordement à un amplificateur doté d'une prise spéciale pour haut-parleur d'extrêmes graves

Si votre amplificateur comporte une prise spéciale pour haut-parleur d'extrêmes graves (comme une prise MONO OUT, MIX OUT, SUBWOOFER ou SUPER WOOFER), raccordez la prise LINE IN du haut-parleur à l'une de ces prises.

Raccordements (D)

Raccordez la prise MONO OUT de votre amplificateur à la prise LINE IN du haut-parleur à l'aide du câble de connexion audio fourni.

Remarque

Si le niveau de sortie de l'amplificateur n'est pas suffisant, le son peut ne pas être assez puissant. Dans ce cas, reliez les bornes d'



Active Subwoofer
SA-WM500

Deutsch

VORSICHT

Um Feuergefahr und die Gefahr eines elektrischen Schlages zu vermeiden, darf das Gerät weder Regen noch Feuchtigkeit ausgesetzt werden.

Um ein Feuer zu vermeiden, dürfen die Belüftungsöffnungen dieses Geräts nicht mit Zeitungen, dem Fischtuch, einem Vorhang usw. abgedeckt werden. Ebenfalls dürfen keine brennenden Kerzen auf das Gerät gestellt werden.

Um die Gefahr eines Feuers oder Elektroschocks zu vermeiden, dürfen keine mit Flüssigkeiten gefüllte Behälter, wie zum Beispiel eine Blumenvase, auf dem Gerät abgestellt werden.

Stellen Sie das Gerät nicht in einen geschlossenen Schrank, ein Bücherregal usw.

Zur besonderen Beachtung

Zur Sicherheit

- Bevor Sie den Subwoofer in Betrieb nehmen, vergewissern Sie sich, daß die Betriebsspannung mit der örtlichen Netzspannung übereinstimmt.
- Trennen Sie bei längerer Nichtverwendung das Netzkabel des Subwoofers von der Steckdose ab. Zum Abtrennen fassen Sie stets am Stecker und niemals am Kabel an.
- Sollte ein fester Gegenstand oder Flüssigkeit in den Subwoofer gelangen, trennen Sie ihn ab und lassen Sie ihn von einem Fachmann überprüfen, bevor Sie ihn weiterverwenden.
- Das Netzkabel darf nur von einer Fachwerkstatt ausgetauscht werden.

Vor dem Ein- und Ausschalten des Verstärkers oder eines anderen Geräts

Stellen Sie den Lautstärkeregler am Verstärker in die Minimalposition.

Um Beschädigungen zu vermeiden

- Stellen Sie den Lautstärkeregler am Verstärker nicht zu hoch ein.
- Öffnen Sie das Gehäuse nicht und nehmen Sie keine Änderungen an den Lautsprecherchassis und an der Schaltung vor.

Wenn der Subwoofer Farbverfälschungen des TV-Bildes verursacht

Aufgrund der magnetischen Abschirmung des Subwoofers kann er normalerweise problemlos unmittelbar neben das TV-Gerät gestellt werden. Dennoch kann es bei einigen TV-Geräten manchmal zu Farbverfälschungen kommen. Verfahren Sie dann wie folgt:

Bei Farbverfälschungen...

- Schalten Sie das TV-Gerät einmal aus und dann nach 15 bis 30 Minuten wieder ein.

Treten danach immer noch Farbverfälschungen auf...

→ Stellen Sie den Subwoofer weiter vom TV-Gerät auf.

Bei akustischer Rückkopplung

Wenn es aufgrund einer akustischen Rückkopplung zu Heulgeräuschen kommt, richten Sie den Subwoofer anders aus oder reduzieren Sie die Lautstärke am Verstärker.

Zur Aufstellung

- Stellen Sie den Subwoofer nicht in die Nähe von Heizungen oder Warmluftauslässen und auch nicht an Plätze, die direktem Sonnenlicht, starker Staubentwicklung, mechanischen Vibrationen oder Stößen ausgesetzt sind.
- Damit im Tieftonlautsprecher kein Wärmestau entsteht, ist eine ausreichende Belüftung erforderlich. Stellen Sie den Tieftonlautsprecher daher an einem Ort mit ausreichend Luftzirkulation auf. Stellen Sie den Tieftonlautsprecher nicht auf eine weiche Oberfläche.
- Seien Sie vorsichtig, wenn Sie den Lautsprecher auf einen besonders behandelten Fußboden (gewachst, geölt, poliert usw.) stellen, da es zu Flecken oder Verfärbungen kommen kann.
- Achten Sie darauf, dass von den Ecken des Subwoofers keine Verletzungsgefahr ausgeht.

Zur Reinigung des Gehäuses

Verwenden Sie zum Reinigen des Gehäuses ein weiches, leicht mit Wasser angefeuchtetes Tuch. Scheuerschwämme, Scheuermittel und Lösungsmittel wie Alkohol oder Benzin dürfen nicht verwendet werden.

Bei weiterführenden Fragen wenden Sie sich bitte an den nächsten Sony Händler.

Aufstellung

Da das menschliche Ohr tiefe Frequenzen (unter 200 Hz) nicht orten kann, können Sie den Subwoofer an einer beliebigen Stelle aufstellen. Allerdings sollte darauf geachtet werden, daß der Boden am Aufstellungsplatz stabil ist, damit der Klang nicht durch Resonanzen beeinträchtigt wird. Ein einzelner Subwoofer bietet durchaus eine ausreichend kräftige Baßwiedergabe. Um eine noch effektivere Reproduktion des Baßsignals zu erhalten, wird empfohlen, zwei Subwoofer zu verwenden.

Hinweise

- Der Subwoofer muß stets in vertikaler Position aufgestellt werden, wobei ein Abstand von einigen Zentimetern zur Wand eingehalten werden muß.
- Stellen Sie keine Gegenstände auf den Subwoofer und setzen Sie sich nicht darauf.
- Wenn der Subwoofer in der Mitte des Zimmers steht, wird auf Grund von stehenden Wellen die Baßabstrahlung bedämpft. Stellen Sie den Subwoofer deshalb möglichst nicht in die Mitte Ihres Zimmers oder verhindern Sie das Entstehen von stehenden Wellen, indem Sie diese Bücherregale usw. aufstellen.

Anschluß

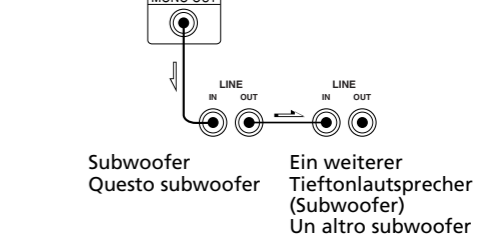
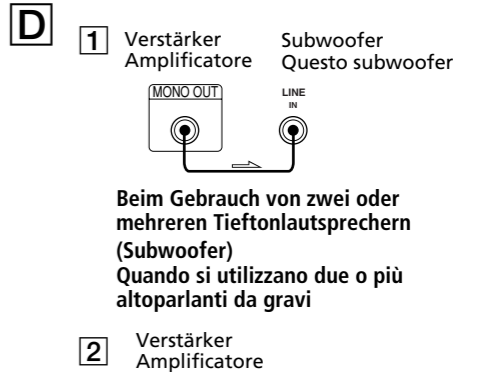
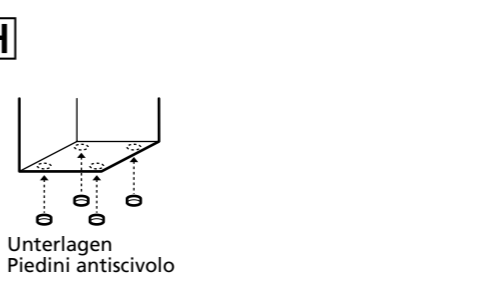
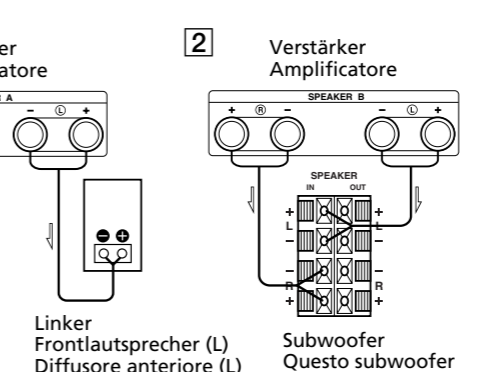
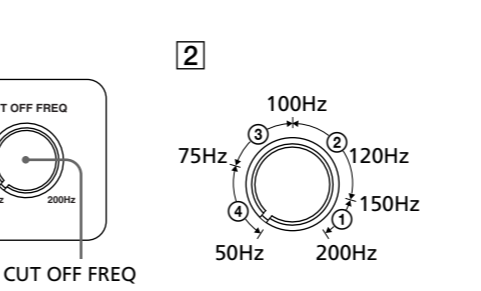
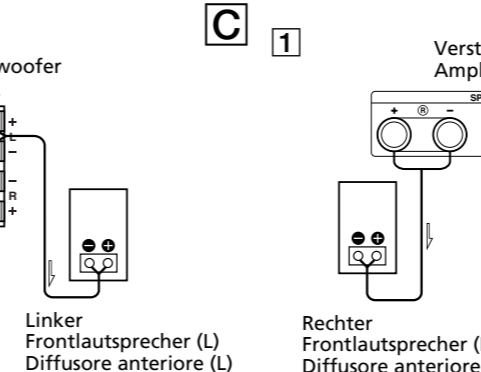
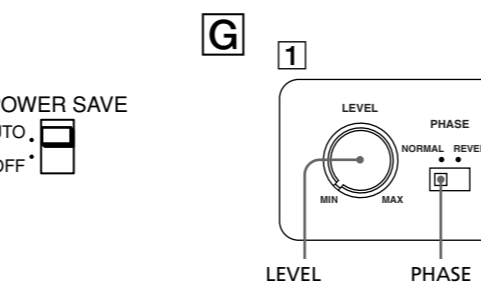
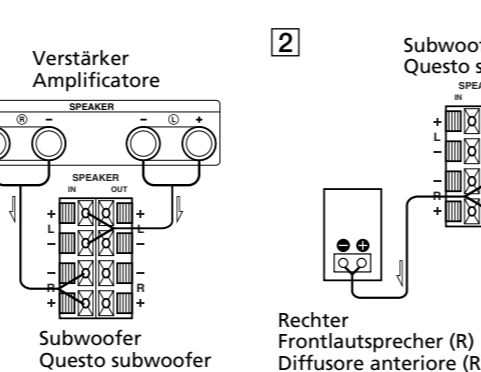
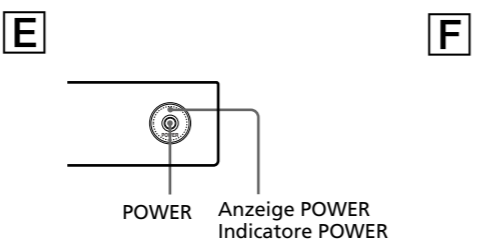
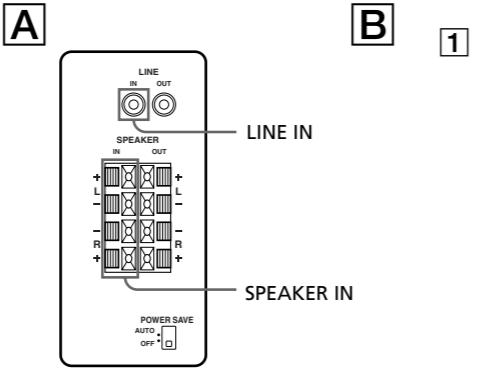
Überblick

Schließen Sie den Verstärker entweder an LINE IN oder SPEAKER IN des Subwoofers an.

- Wenn Ihr Verstärker mit einer der folgenden Ausgangsbuchsen ausgestattet ist, verbinden Sie die Buchse LINE IN über das mitgelieferte Audioverbindungskabel mit der entsprechenden Buchse am Verstärker.
 - MIX OUT-Buchse
 - MIX OUT-Buchse
 - SUBWOOFER-Ausgangsbuchse(n)
 - SUPER WOOFER-Ausgangsbuchse(n)
- Besitzt Ihr Verstärker keine solchen Ausgangsbuchsen, verbinden Sie die Lautsprecheranschlüsse des Verstärkers mit den SPEAKER IN-Klemmen des Subwoofers (A).

Vor dem Betrieb

- Schalten Sie den Verstärker und den Subwoofer aus, bevor Sie Anschlüsse vornehmen.
- Verwenden Sie die beim betreffenden Gerät mitgelieferten Audiokabel. Gegebenenfalls sind zusätzliche, im Fachhandel erhältliche Audiokabel erforderlich.
- Stecken Sie die Stecker fest in die Buchsen ein, um Störgeräusche zu vermeiden.
- Schließen Sie das Netzkabel des Subwoofers an eine Wandsteckdose an.
- Die CENTER-Ausgangsbuchse von Verstärkern mit Dolby Pro Logic-Funktion eignet sich nicht zum Anschluß dieses Subwoofers, da bei einigen Dolby Pro Logic-Betriebsarten der Baßbereich nicht über diese Buchse ausgegeben wird.



Anschluß an einen Verstärker mit einem einzelnen Lautsprecherklemmenpaar (B)

Wenn Ihr Verstärker nur ein Lautsprecherklemmenpaar besitzt, schließen Sie den Subwoofer an den Verstärker und dann die Frontlautsprecher an den Subwoofer an.

Anschluß

- 1 Anschluß des Subwoofers an den Verstärker: Verbinden Sie die SPEAKER IN-Klemmen des Subwoofers über die Lautsprecherkabel mit den Lautsprecheranschlüssen des Verstärkers. Achten Sie darauf, daß rechter und linker Kanal nicht vertauscht sind.
- 2 Anschluß der Frontlautsprecher an den Subwoofer: Schließen Sie die Lautsprecher an die Anschlüsse SPEAKER OUT des Subwoofers an.

Anschluß an einen Verstärker mit zwei Lautsprecherklemmenpaaren (A+B) (C)

Wenn Ihr Verstärker zwei Lautsprecherklemmenpaare (A+B) besitzt, schließen Sie den Subwoofer und die Frontlautsprecher an den Verstärker an.

Anschluß

- 1 Anschluß der Frontlautsprecher an den Verstärker: Die Lautsprecher mit den Klemmen SPEAKER A des Verstärkers verbinden.
- 2 Anschluß des Subwoofers an den Verstärker: Unter Verwendung der mitgelieferten Lautsprecherkabel die SPEAKER IN-Klemmen des Subwoofers mit den SPEAKER B-Klemmen des Verstärkers verbinden.

Bei Verwendung von zwei Lautsprecherpaaren (A+B) schalten Sie am Verstärker in die Position „A+B“.

Hinweis

Bei ausschließlicher Verwendung der Lautsprecheranschlüsse A (nur Frontlautsprecher) und beim Ausschalten des Verstärkers reduzieren Sie die Lautstärke und schalten Sie den Subwoofer aus, da es sonst zu Störgeräuschen kommen kann.

Anschließen an einen Verstärker mit einer Spezialbuchse für einen Tiefsttonlautsprecher

Wenn Ihr Verstärker mit einer Spezialbuchse für einen Tiefsttonlautsprecher ausgestattet ist (z. B. einer Buchse MONO OUT, MIX OUT, SUBWOOFER oder SUPER WOOFER), verbinden Sie die Buchse LINE IN des Tiefsttonlautsprechers mit dieser Buchse.

Anschluß (D)

Verbinden Sie die Buchse MONO OUT des Verstärkers über das mitgelieferte Audioverbindungskabel mit der Buchse LINE IN des Tiefsttonlautsprechers.

Hinweis

Bei obiger Anschlußart reicht manchmal der Ausgangspegel des Verstärkers nicht zur Ansteuerung des Subwoofers aus; der Subwoofer-Lautstärkepegel ist dann zu gering. Schließen Sie in einem solchen Fall die Lautsprecherklemmen des Verstärkers an die SPEAKER IN-Klemmen des Subwoofers an.

Anschließen des Netzkabels

- Schließen Sie das Netzkabel des Subwoofers und des Verstärkers an eine Wandsteckdose an.
- Vergewissern Sie sich, daß der Tiefsttonlautsprecher ausgeschaltet ist, bevor Sie ein Netzkabel anschließen oder lösen.

Wiedergabe (E)

- 1 Schalten Sie den Verstärker ein, und wählen Sie die Signalquelle.
- 2 Drücken Sie POWER. Der Subwoofer wird eingeschaltet, und die POWER-Anzeige leuchtet grün auf.
- 3 Geben Sie die Signalquelle wieder. Stellen Sie VOLUME nur so hoch ein, daß der Ton von den Frontlautsprechern nicht verzerrt ist. Wenn dieser Ton verzerrt ist, ist auch der Ton vom Subwoofer verzerrt.

Automatisches Ein- und Ausschalten der Stromversorgung – Automatik-Ein-/Ausschaltfunktion (F)

Wenn der Subwoofer eingeschaltet ist (d.h. die POWER-Anzeige leuchtet grün auf), aber während der nächsten sieben Minuten kein Signal übermittelt wird, leuchtet die POWER-Anzeige rot auf, und der Subwoofer schaltet in den Energiesparmodus. Wenn in diesem Modus ein Signal zum Subwoofer übermittelt wird, schaltet sich der Subwoofer automatisch wieder ein (Automatik-Ein-/Ausschaltfunktion). Um diese Funktion zu deaktivieren, muß der POWER SAVE-Schalter an der Geräterückseite auf OFF geschoben werden.

Hinweise

- Stellen Sie auf keinen Fall die Klangregler des Verstärkers oder eines Equalizers auf eine extreme Position, und verwenden Sie kein Sinus-Testsignal zwischen 20 Hz und 50 Hz, wie es auf speziellen Testplatten vorhanden ist. Geben Sie auch keine Programmquellen mit extrem starkem Baßanteil (z.B. von elektronischen Instrumenten) bei hohem Pegel für längere Zeit wieder, da dies zur Beschädigung der Lautsprecher führen kann. Wenn eine Aufnahme mit extrem starkem Baßanteil wiedergegeben wird, können Nebengeräusche hörbar werden. Regeln Sie in einem solchen Fall die Lautstärke zurück.
- Das Tiefsttonlautsprecherausgangssignal (DOLBY Digital-Signal) des digitalen Raumklangprozessors (geordnet erhältlich) wird von der Dolby Laboratories Licensing Corporation um 10 dB höher eingestellt. Bei normalem Gebrauch müssen Sie den Pegel des Tiefsttonlautsprechers anpassen.
- Wenn der Lautstärkepegel des Subwoofers zu niedrig eingestellt wird, kann dies eine Aktivierung der Automatik-Ein-/Ausschaltfunktion zur Folge haben, wodurch der Subwoofer in den Energiesparmodus schaltet.

Toneinstellung (G)

Durch Anheben der Bässe kann der Raumklangdruck verstärkt werden.

- 1 Stellen Sie die Übernahmefrequenz ein. Drehen Sie hierzu den CUT OFF FREQ-Regler. Die optimale Einstellung hängt vom Frequenzumfang Ihrer Frontlautsprecher ab. Im allgemeinen ist folgende Einstellung optimal:
 - ① Sehr kleine Lautsprecherboxen (5 bis 7 cm Durchmesser)
 - ② Kleine Lautsprecherboxen (8 bis 15 cm Durchmesser)
 - ③ Mittelgroße Lautsprecherboxen (16 bis 24 cm Durchmesser)
 - ④ Große Lautsprecherboxen (über 25 cm Durchmesser)
- Damit der Pegelkonverter der Dolby-Digital-Funktion optimal arbeitet, stellen Sie bei der Wiedergabe einer Dolby-Digital-Quelle CUT OFF FREQ möglichst hoch ein.

2 Stellen Sie den Lautstärkepegel des Subwoofers ein.

Drehen Sie den LEVEL-Regler so weit auf, daß die Bässe etwas lauter als zuvor zu hören sind. Zum Erhöhen des Pegels drehen Sie nach rechts und zum Verringern nach links.

3 Geben Sie eine Musikaufzeichnung oder einen Videofilm wieder.

Besonders geeignet für die folgenden Einstellungen sind männliche Sing- oder Sprecherstimmen mit ausgeprägten Bässen. Stellen Sie normalen Frontlautsprecher-Lautstärkepegel ein.

4 Legen Sie die Phase fest.

Mit dem PHASE-Wähler kann die Phase umgekehrt werden.

5 Wiederholen Sie die Schritte 1 bis 4, bis die Klangcharakteristik Ihren Vorstellungen entspricht.

Der obige Einstellvorgang braucht im allgemeinen nur einmal ausgeführt zu werden. Im täglichen Betrieb können Sie dann die Lautstärke am VOLUME-Regler des Verstärkers einstellen. Dieser Regler ändert sowohl die Lautstärke des Subwoofers als auch die der anderen Lautsprecher.

Hinweise

- Wenn es zu Verzerrungen kommt, da die Bässe durch die DBFF-, GROOVE-, Graphic Equalizer-Funktion etc. zu stark angehoben werden, schalten Sie diese Funktionen aus bzw. ändern Sie die Einstellung.
- Drehen Sie die Lautstärke des Tiefsttonlautsprechers nicht ganz auf. Andernfalls werden die Bässe möglicherweise gedämpft, und Störgeräusche sind zu hören.
- Welche Phase am günstigsten ist, hängt von den verwendeten Lautsprechern, der Platzierung des Subwoofers und der Übernahmefrequenz ab. Ermitteln Sie die günstigste Phase, indem Sie die PHASE-Taste wiederholt drücken und die Klangqualität an Ihrem Hörplatz überprüfen.

Vorbereiten des Lautsprechers (H)

Um zu verhindern, daß der Lautsprecher während der Wiedergabe vibriert oder verrutscht, bringen Sie die mitgelieferten Unterlagen unten am Lautsprecher an.

Störungsüberprüfungen

Bei Problemen mit dem Subwoofer gehen Sie die folgende Liste durch. Wenn sich das Problem nicht beheben läßt, wenden Sie sich an den nächsten Sony Händler.

Kein Ton.

- Darauf achten, daß der subwoofer und die Geräte richtig angeschlossen sind.
- LEVEL nach rechts drehen, um die Lautstärke zu erhöhen.
- Den INPUT-Wähler auf SPEAKER oder LINE stellen.
- Die Pegelstellung ändern.

Der Ton setzt plötzlich aus.

- Kurzschluß an den Lautsprecherkabeln. Die Kabel richtig anschließen.

Verzerrungen.

- Das Eingangssignal ist verzerrt.
- Der Pegel des Eingangssignals ist zu hoch.
- Bei der Wiedergabe einer Dolby-Digital-Quelle CUT OFF FREQ möglichst hoch stellen.

Starkes Brummen oder andere Störgeräusche.

- Den Plattenspieler erden.
- Die Kabelstecker sind nicht richtig in die Buchsen eingesteckt. Die Stecker fest einstecken.
- Störeinstrahlungen von einem TV-Gerät in die Audioanlage. Die Audioanlage weiter vom TV-Gerät entfernt aufstellen oder das TV-Gerät ausschalten.

Technische Daten

System

Typ Aktiv-Tiefsttonlautsprecher (magnetisch abgeschirmt)

Bestückung Woofer: 30 cm Durchmesser, Konus

Verstärker Maximale Ausgangsleistung: 150 W (DIN)

Frequenzgang 20 Hz bis 200 Hz

Höhenfilter-Eckfrequenz 50 Hz bis 200 Hz

Phasenschalter NORMAL (normal), REVERSE (umgekehrt)

Eingänge

Buchsenbezeichnung LINE IN (Cinch)

SPEAKER IN (Klemmanschluß)

Ausgänge LINE OUT: Ausgangsstiftbuchse

SPEAKER OUT: Ausgangsanschlüsse

Allgemeines

Stromversorgung 230 V Wechselspannung, 50/60 Hz

Leistungsaufnahme 110 W

Abmessungen ca. 360 x 425 x 412 mm (B/H/T)

Gewicht 19 kg

Mitgeliefertes Zubehör

- Unterlagen (4)
- Audiokabel (1 Cinch zu 1 Cinch), 2 m (1)
- Lautsprecherkabel, 2,5 m (2)

Änderungen, die dem technischen Fortschritt dienen, bleiben vorbehalten.

Italiano

ATTENZIONE

Per evitare il pericolo di incendi o scosse elettriche, non esporre l'apparecchio alla pioggia o all'umidità. Per evitare incendi, non coprire le fessure di ventilazione dell'apparecchio con giornali, tovaglie, tende o altro. Non appoggiare candele accese su di esso. Per evitare incendi o fulgurazioni, non appoggiare contenitori di liquidi, ad esempio vasi da fiori, sull'apparecchio.

Non installare l'apparecchio in spazi ristretti, come librerie o scaffali a muro.

Precauzioni

Sicurezza

- Prima di usare il subwoofer, controllare che la tensione operativa del subwoofer sia identica a quella della rete di elettrica locale.
- Se non si usa il subwoofer per un lungo periodo, scollegare il cavo di alimentazione dalla presa a muro. Non tirare mai il cavo stesso.
- In caso di penetrazione di oggetti o liquidi all'interno del subwoofer, scollegare il cavo di alimentazione e far controllare il subwoofer da personale qualificato prima di usarlo nuovamente.
- Il cavo di alimentazione CA deve essere sostituito presso un centro assistenza qualificato.

Quando si accende o si spegne l'amplificatore o un altro apparecchio

Abbassare il volume dell'amplificatore al minimo.

Per evitare danni al woofer

- Fare attenzione nella regolazione del comando del volume dell'amplificatore per evitare una potenza in ingresso eccessiva.
- Non tentare di aprire la cassa o di modificare le unità diffusore o le reti.

Nel caso appaiano irregolarità nel colore di un televisore nei pressi

Con questo tipo di sistema diffusori a schermatura magnetica, i diffusori possono essere installati vicino ad un televisore. Tuttavia, irregolarità nel colore possono comunque apparire sullo schermo del televisore con alcuni tipi di televisore.

Se appaiono irregolarità di colore...

- Spegnere il televisore e riaccenderlo dopo 15 - 30 minuti.

Se riappaiono irregolarità di colore...

- Collocare i diffusori più lontano dal televisore.

Quando si verifica feedback

Spegnere il diffusore o abbassare il volume dell'amplificatore.

Installazione

- Non collocare il subwoofer nei pressi di fonti di calore, come caloriferi o condotti dell'aria calda, o in luoghi esposti alla luce solare diretta, polvere eccessiva, vibrazioni meccaniche o scosse.
- È essenziale garantire una buona ventilazione per evitare il surriscaldamento interno del subwoofer. Collocare il subwoofer in una posizione che consenta una circolazione dell'aria adeguata. Non collocare il subwoofer su superfici morbide.
- Se il diffusore viene collocato su un pavimento trattato con prodotti speciali, quali cera, olio o lucidanti, prestare attenzione onde evitare eventuali macchie o perdite di colore.
- Prestare attenzione agli angoli della cassa acustica subwoofer per evitare possibili ferimenti.

Pulizia del rivestimento

Pulire il rivestimento con un panno morbido leggermente inumidito con acqua. Non usare alcun tipo di prodotto graffiante, polvere abrasiva o solventi come alcool o benzina.

Nel caso di interrogativi o problemi riguardanti l'uso del subwoofer non contemplati in questo manuale, contattare il proprio rivenditore Sony.

Installazione

Poiché l'orecchio umano non può individuare la direzione e la posizione del suono dei bassi riprodotto da un subwoofer (sotto 200 Hz), è possibile installare il subwoofer in qualsiasi punto desiderato della stanza. Per ottenere una migliore riproduzione dei bassi, consigliamo di installare il subwoofer su un pavimento solido dove non si verificano facilmente risonanze. Un solo subwoofer può bastare. Usandone due, però, la riproduzione dei bassi sarà più soddisfacente.

Note

- Installare il subwoofer sempre verticalmente ed a qualche centimetro da una parete.
- Non collocare oggetti sopra il subwoofer e non sedervi sopra.
- Se il subwoofer è installato al centro di una stanza, i bassi possono risultare molto indeboliti. Questo è dovuto all'influenza dell'onda stazionaria della stanza. In questo caso, non installare il subwoofer vicino al centro della stanza o eliminare la causa dell'onda stazionaria, installando uno scaffale su una parete, ecc.

Collegamento al sistema

Descrizione generale

- Usare le prese LINE IN o i terminali SPEAKER IN del subwoofer per il collegamento all'amplificatore.
- Se l'amplificatore dispone di uno dei seguenti tipi di prese di uscita, collegare la presa LINE IN e la presa dell'amplificatore utilizzando il cavo di collegamento audio in dotazione.
 - Presa MONO OUT
 - Presa MIX OUT
 - Presa/e di uscita SUBWOOFER
 - Presa/e di uscita SUPER WOOFER
- Se l'amplificatore non dispone dei suddetti tipi di presa, collegare invece i terminali diffusore dell'amplificatore ai terminali SPEAKER IN (A).

Prima di cominciare

- Spegnere l'amplificatore e il subwoofer prima di eseguire qualsiasi collegamento.
- Usare i cavi di collegamento audio in dotazione ai rispettivi apparecchi. Se non si ha un numero sufficiente di cavi di collegamento per i collegamenti necessari, è necessario acquistare alcuni cavi di collegamento opzionali.
- Assicurarsi di eseguire collegamenti saldi per evitare disturbi.
- Collegare il cavo di alimentazione CA del subwoofer ad una presa a muro.
- Non è possibile collegare la presa di uscita CENTER per l'uso con la funzione Dolby Pro Logic a questo subwoofer. Il suono dei bassi non viene emesso in alcuni modi Dolby Pro Logic.

Collegamento ad un amplificatore con un solo gruppo di terminali diffusori (B)

Se l'amplificatore è dotato di un solo gruppo di terminali diffusori, collegare il subwoofer all'amplificatore e quindi collegare i diffusori anteriori al subwoofer.

Collegamento

1 Collegare il subwoofer all'amplificatore.

Collegare i terminali SPEAKER IN del subwoofer ai terminali diffusori dell'amplificatore con i cavi diffusore. Assicurarsi di collegare entrambi i canali sinistro e destro.

2 Collegare i diffusori anteriori al subwoofer.

Collegare i diffusori ai terminali SPEAKER OUT del subwoofer.

Collegamento ad un amplificatore con due gruppi (A+B) di terminali diffusori (C)

Se l'amplificatore dispone di due gruppi (A+B) di terminali diffusori, collegare sia il woofer che i diffusori anteriori all'amplificatore.

Collegamento

1 Collegare i diffusori anteriori all'amplificatore.

Collegare i diffusori ai terminali SPEAKER A del proprio amplificatore.

2 Collegare il subwoofer all'amplificatore.

Collegare i terminali SPEAKER IN del subwoofer ai terminali SPEAKER B dell'amplificatore con i cavi per diffusori in dotazione.

Quando si usano due coppie (A+B) di diffusori, assicurarsi di selezionare la posizione "A+B" sull'amplificatore.

Note

- Si usano solo i terminali SPEAKER A (diffusori anteriori) o se l'amplificatore è spento, abbassare il volume o spegnere il subwoofer. Si potrebbe altrimenti sentire qualche rumore di fondo.

Collegamento ad un amplificatore dotato di presa speciale per subwoofer