

Personal Audio System

Operating Instructions



©2013 Sony Corporation Printed in China

GTK-N1BT

GB

<http://www.sony.net>



WARNING

To reduce the risk of fire, do not cover the ventilation opening of the appliance with newspapers, tablecloths, curtains, etc. Do not expose the appliance to naked flame sources (for example, lighted candles).

To reduce the risk of fire or electric shock, do not expose this appliance to dripping or splashing, and do not place objects filled with liquids, such as vases, on the appliance.

Do not install the appliance in a confined space, such as a bookcase or built-in cabinet.

As the main plug is used to disconnect the unit from the mains, connect the unit to an easily accessible AC outlet. Should you notice an abnormality in the unit, disconnect the main plug from the AC outlet immediately.

The unit is not disconnected from the mains as long as it is connected to the AC outlet, even if the unit itself has been turned off.

Do not expose batteries or appliances with battery-installed to excessive heat, such as sunshine and fire.

This equipment has been tested and found to comply with the limits set out in the EMC Directive using a connection cable shorter than 3 meters.

Notice for customers: the following information is only applicable to equipment sold in countries applying EU directives.

This product has been manufactured by or on behalf of Sony Corporation, 1-7-1 Konan Minato-ku Tokyo, 108-0075 Japan. Inquiries related to product compliance based on European Union legislation shall be addressed to the authorized representative, Sony Deutschland GmbH, Hedelfinger Strasse 61, 70327 Stuttgart, Germany. For any service or guarantee matters, please refer to the addresses provided in the separate service or guarantee documents.

Hereby, Sony Corp., declares that this equipment is in compliance with the essential requirements and other relevant provisions of Directive 1999/5/EC.

For details, please access the following URL:
<http://www.compliance.sony.de/>

For customers in Australia and New Zealand

This equipment should be installed and operated with at least 20 cm and more between the radiator and person's body (excluding extremities: hands, wrists, feet and ankles).

License and Trademark Notice

- iPhone, iPod, iPod classic, iPod nano, and iPod touch are trademarks of Apple Inc., registered in the U.S. and other countries.
- MPEG Layer-3 audio coding technology and patents licensed from Fraunhofer IIS and Thomson.
- Windows Media is either a registered trademark or trademark of Microsoft Corporation in the United States and/or other countries.
- The BLUETOOTH® word mark and logos are registered trademarks owned by BLUETOOTH SIG, Inc. and any use of such marks by Sony Corporation is under license. Other trademarks and trade names are those of their respective owners.
- The N Mark is a trademark or registered trademark of NFC Forum, Inc. in the United States and in other countries.
- © 2012 CSR plc and its group companies. The aptX® mark and the aptX logo are trade marks of CSR plc or one of its group companies and may be registered in one or more jurisdictions.
- Android is a trademark of Google Inc.
- This product is protected by certain intellectual property rights of Microsoft Corporation. Use or distribution of such technology outside of this product is prohibited without a license from Microsoft or an authorized Microsoft subsidiary.
- The system names and product names indicated in this manual are generally the trademarks or registered trademarks of the manufacturer. ™ and ® marks are omitted in this manual.



Disposal of Old Electrical & Electronic Equipment (Applicable in the European Union and other European countries with separate collection systems)

This symbol on the product or on its packaging indicates that this product shall not be treated as household waste. Instead it shall be handed over to the applicable collection point for the recycling of electrical and electronic equipment. By ensuring this product is disposed of correctly, you will help prevent potential negative consequences for the environment and human health, which could otherwise be caused by inappropriate waste handling of this product. The recycling of materials will help to conserve natural resources. For more detailed information about recycling of this product, please contact your local Civic Office, your household waste disposal service or the shop where you purchased the product.

Europe Only



Disposal of waste batteries (applicable in the European Union and other European countries with separate collection systems)

This symbol on the battery or on the packaging indicates that the battery provided with this product shall not be treated as household waste. On certain batteries this symbol might be used in combination with a chemical symbol. The chemical symbols for mercury (Hg) or lead (Pb) are added if the battery contains more than 0.0005% mercury or 0.004% lead.

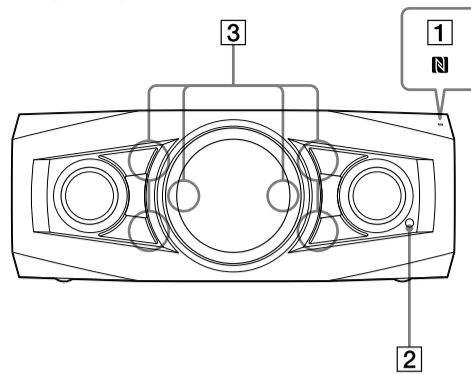
By ensuring these batteries are disposed of correctly, you will help prevent potentially negative consequences for the environment and human health which could otherwise be caused by inappropriate waste handling of the battery. The recycling of the materials will help to conserve natural resources.

In case of products that for safety, performance or data integrity reasons require a permanent connection with an incorporated battery, this battery should be replaced by qualified service staff only. To ensure that the battery will be treated properly, hand over the product at end-of-life to the applicable collection point for the recycling of electrical and electronic equipment. For all other batteries, please view the section on how to remove the battery from the product safely. Hand the battery over to the applicable collection point for the recycling of waste batteries.

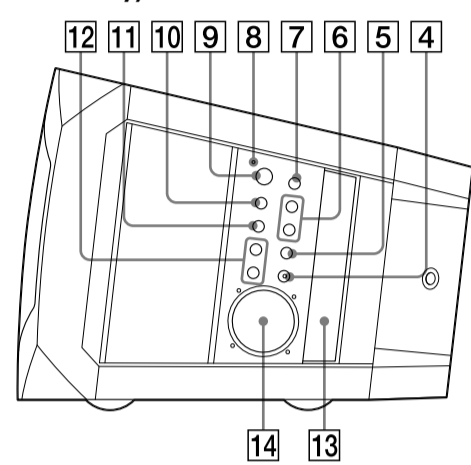
For more detailed information about recycling of this product or battery, please contact your local Civic Office, your household waste disposal service or the shop where you purchased the product.

Location of Controls

Unit (Front)



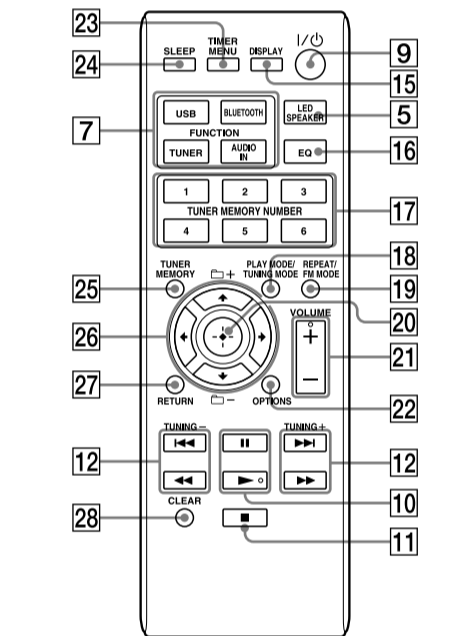
Unit (Right side when installed horizontally)



Note

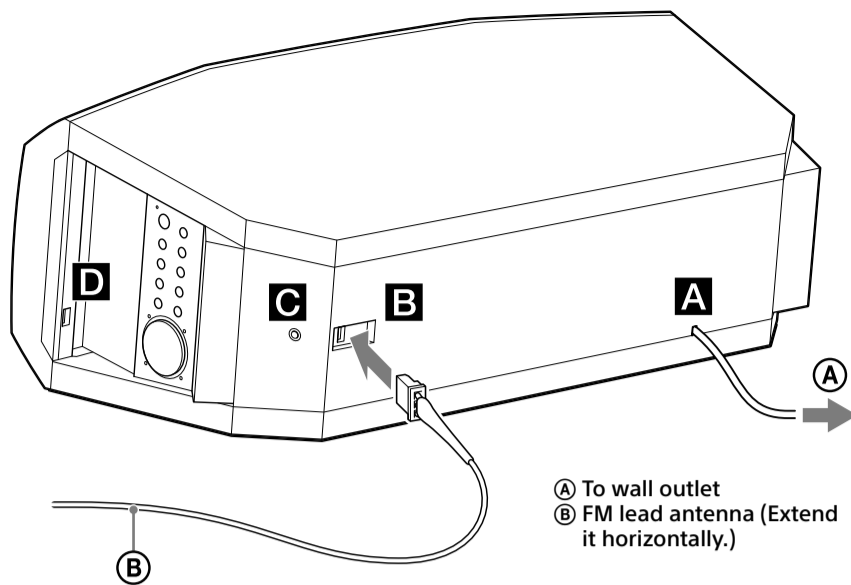
Headphone output is not available as this system does not have a headphone jack.

Remote



This manual mainly explains operations using the remote, but the same operations can also be performed using the buttons on the unit having the same or similar names.

Getting Started



A Power

Connect the power cord ④ to a wall outlet. The demonstration appears in the display 13. When you press I/O 9, the system turns on and the demonstration automatically ends. If the supplied adaptor on the plug does not fit your wall outlet, detach it from the plug (only for models equipped with an adaptor).

B Antenna

When inserting the connector of FM lead antenna ⑥, make sure to insert it in the correct orientation. Find a location and an orientation that provide good reception when you set up the antenna. Keep the antenna away from the power cord to avoid picking up noise.

C AUDIO IN (external input) jack

Connect optional external equipment using an audio connecting cable (not supplied).

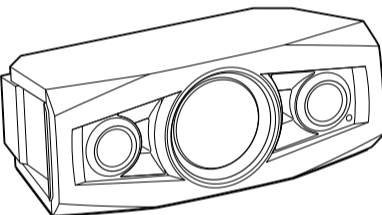
D USB port

Connect an iPod/iPhone or USB device using a USB cable (not supplied).

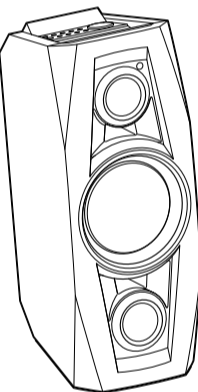
Installing the system

The system can be installed either vertically or horizontally. Select the installation style based on your preferences.

Horizontal installation

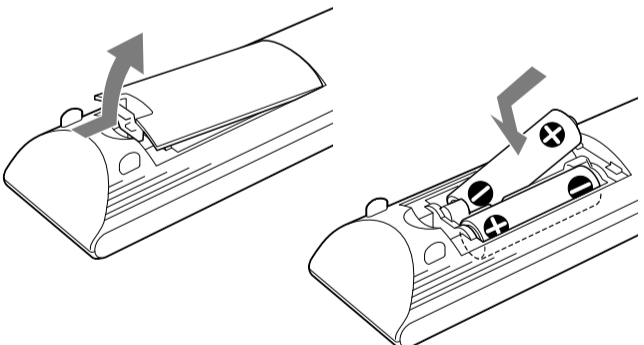


Vertical installation



Using the remote

Insert the two R6 (size AA) batteries (supplied), matching the polarities shown below.



Notes on using the remote

- With normal use, the batteries should last for about 6 months.
- Do not mix an old battery with a new one or mix different types of batteries.
- If you do not use the remote for a long period of time, remove the batteries to avoid damage from battery leakage and corrosion.

Setting the clock

- 1 Press I/O 9 to turn on the system.
- 2 Press TIMER MENU 23 to select the clock set mode. If "PLAY SET" flashes, press 4/6 repeatedly to select "CLOCK," and then press 0 (enter) 20.
- 3 Press 4/6 repeatedly to set the hour, then press 0 20.
- 4 Use the same procedure to set the minutes.

Note

The clock settings are reset when you disconnect the power cord or if a power failure occurs.

To display the clock when the system is off

Press DISPLAY 15. The clock is displayed for about 8 seconds.

Operations

Using the BLUETOOTH function

You can listen to music from your "WALKMAN" or BLUETOOTH device over a wireless connection. Before using the BLUETOOTH function, perform pairing to register your BLUETOOTH device.

The system supports registration and connection of the BLUETOOTH device and NFC, which enables data communication by just touching a specified location. For details on NFC, see "Connecting by one-touch action (NFC)."

What is pairing?

The BLUETOOTH devices to be connected must be registered with each other beforehand. Pairing is an operation of registering two devices. Once a pairing operation is performed, it does not have to be performed again. In the following cases, however, a pairing operation must be performed again:

- Pairing information was erased when the BLUETOOTH device was repaired.
- You attempt to pair the system with more than 10 BLUETOOTH devices. This system can pair with up to 9 BLUETOOTH devices. If you pair another BLUETOOTH device after pairing with 9 devices was performed, pairing information of the device that was connected with the system first is overwritten with that of the new device.
- Pairing registration information of this system is erased from the connected device.
- If you initialize the system or erase the pairing history with the system, all the pairing information will be erased.

About the BLUETOOTH indicator

The BLUETOOTH indicator in the center of the BLUETOOTH button 4 allows checking the BLUETOOTH status.

System status	Indicator status
The system is in BLUETOOTH Standby (when the system is on).	Flash slowly in blue.
During BLUETOOTH pairing	Flash quickly in blue.
The system is attempting to connect with a BLUETOOTH device.	Flash in blue.
The system has established in connection with a BLUETOOTH device.	Lit in blue.

Enabling reception of AAC codec

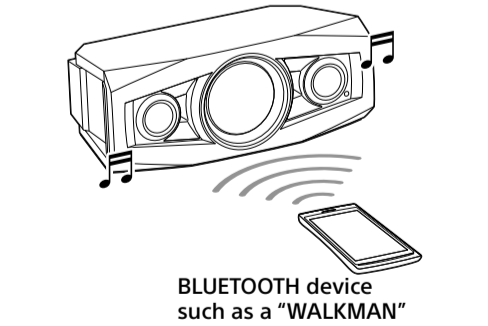
You can receive data in AAC codec format from a BLUETOOTH device. To enable reception, set up using the option menu.

- 1 Press BLUETOOTH FUNCTION 7 on the remote or press BLUETOOTH 4 on the unit until "BT AUDIO" appears in the display 13.
- 2 Press OPTIONS 22 to display the setting menu.
- 3 Press 4/6 repeatedly to select "BT AAC," then press 0 20.
- 4 Press 4/6 repeatedly to select "ON" or "OFF," then press 0 20.
ON: to enable reception in AAC codec format
OFF: to receive in SBC or aptX codec format

Notes

- If you initiate setup during BLUETOOTH connection, the connection is cut.
- When using an Apple product, update it to the latest software version. For details on updating, refer to the operation manual supplied with your Apple product.
- If sound is interrupted during reception in AAC codec format, set the BT AAC menu to "OFF."

Pairing this system with a BLUETOOTH device



- 1 Place the BLUETOOTH device to be connected within 1 meter from the system.
- 2 Press BLUETOOTH FUNCTION 7 on the remote or press BLUETOOTH 4 on the unit until "BT AUDIO" appears in the display 13.
 - The BLUETOOTH indicator 4 flashes slowly in blue.
 - If the system has been automatically connected with the BLUETOOTH device in the past, press BLUETOOTH 4 on the unit to cancel the connection so that "BT AUDIO" appears in the display 13.
- 3 Press and hold BLUETOOTH 4 on the unit for 2 seconds or longer.
 - The BLUETOOTH indicator 4 flashes quickly in blue and "PAIRING" flashes in the display 13. The system is in Pairing mode.

- 4 Perform the pairing operation on the BLUETOOTH device and search for this system with the BLUETOOTH device.

- When searching has finished, a list of the devices found may appear on the BLUETOOTH device display.
- This system appears as "SONY:GTK-N1BT." If it does not appear, perform the procedure from step 1 again.
 - When establishing connection with this system, select the audio profile (A2DP, AVRCP) on the BLUETOOTH device.
 - If the BLUETOOTH device does not support AVRCP (Audio Video Remote Control Profile), you cannot perform playback or other operations with the system.

- For details on operations of the BLUETOOTH device to be connected, refer to the operation manual supplied with your BLUETOOTH device.

- 5 Select "SONY:GTK-N1BT" in the display of the BLUETOOTH device.
 - If prompted to enter a passkey on the BLUETOOTH device, enter "0000."
- 6 Operate the BLUETOOTH device and perform BLUETOOTH connection.
 - When pairing is completed and connection with the BLUETOOTH device is established correctly, the display 13 changes to "BT AUDIO" from "PAIRING" and the BLUETOOTH indicator 4 flashes slowly in blue.
 - Depending on the type of BLUETOOTH device, connection may start automatically after pairing is completed.

Notes

- "Passkey" may be called "Passcode," "PIN code," "PIN number" or "Password," etc., depending on the device.
- The pairing standby status of the system is cancelled after about 5 minutes. If pairing is not successful, perform the procedure from step 1.
- If you want to pair with several BLUETOOTH devices, perform the procedure from steps 1 to 6 individually for each BLUETOOTH device.

Tip

You can perform a pairing operation or attempt to make a BLUETOOTH connection with another BLUETOOTH device while the BLUETOOTH connection is established with one BLUETOOTH device. The currently established BLUETOOTH connection is cancelled when BLUETOOTH connection with another device is successfully established.

To erase the pairing registration information

- 1 Press BLUETOOTH FUNCTION 7 on the remote or press BLUETOOTH 4 on the unit until "BT AUDIO" appears in the display 13.
 - When the system is connected with a BLUETOOTH device, the device name set for the connected BLUETOOTH device appears in the display 13 of the system. Press BLUETOOTH 4 on the unit to cancel the connection with that BLUETOOTH device then display "BT AUDIO."
 - 2 Press CLEAR 28.
 - "DEL LINK" flashes.
 - 3 Press 0 20.
 - "COMPLETE" appears and all the pairing information is erased.
- Notes**
- If you erase the pairing information, you cannot make a BLUETOOTH connection unless pairing is performed. In order to connect with a BLUETOOTH device after performing this operation, you must enter the passkey again.
 - If you erase the pairing information, the BLUETOOTH Standby mode setting is set to off.

Connecting by one-touch action (NFC)

NFC enables data communication by just touching your device to a specified location. Compatible smartphones are those equipped with the NFC function (compatible operating system: Android version 2.3.3 or later with the exception of Android 3.x). Check the website below for information on compatible devices. For customers in Europe: <http://support.sony-europe.com/> For customers in Latin America: <http://www.sony-latin.com/index.crp> For customers in other countries/regions: <http://www.sony-asia.com/support>

Preparation on your smartphone (Android)

- An NFC-compliant application must be installed on your smartphone. If not installed, you can download "NFC Easy Connect" from Google Play.
- In some countries and regions, NFC-compliant application may not be downloaded.
 - For some smartphones, this function may be available without downloading "NFC Easy Connect." In this case, the operation and specifications of the smartphone may be different from the description in this manual.

- 1 Install the application.
 - If you access using 2D Code



Depending on the BLUETOOTH device, you may have to press 11 10 on the unit twice.

If the application is not found at the website above, search "NFC Easy Connect" on Google Play and install it.

- 2 Set your smartphone to enable NFC function. For details, refer to the user's guide supplied with your smartphone.

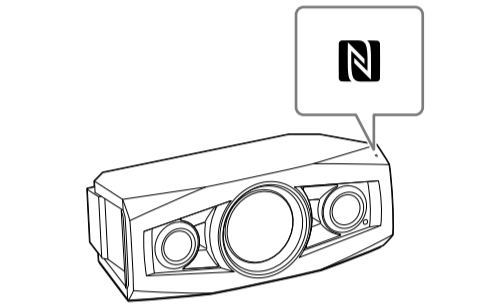
About the "NFC Easy Connect" application
This is a free application especially used for Android. Search the internet for detailed information on "NFC Easy Connect" and download the application.

- In some countries and regions, NFC-compliant application may not be downloaded.

Making a connection with your smartphone by one-touch action

Just touch your smartphone to the system. The system is turned on automatically, and pairing and BLUETOOTH connection are established.

- 1 Start the "NFC Easy Connect" application on your smartphone.
 - Check that the application display appears.
- 2 Touch your smartphone to the unit.
 - Touch the smartphone to the N-Mark 1 on the unit and maintain contact until the smartphone vibrates.



Complete the connection with your smartphone, following the instructions on the screen.

Refer to the user's guide of your smartphone for the part of your smartphone used touch contact.

- To disconnect the established connection, touch your smartphone to the N-Mark 1 on the unit.
- When you touch an NFC-compliant smartphone to the unit while another BLUETOOTH device is connected with this system, the BLUETOOTH device is disconnected and the system is connected with the smartphone.
- If you touch the smartphone connected with this system to another NFC-compliant BLUETOOTH headset or speaker, the smartphone is disconnected from the system and connected with the touched BLUETOOTH device.

Listening to music through a BLUETOOTH connection

You can operate a BLUETOOTH device by connecting the system and a BLUETOOTH device using AVRCP.

- Check the following before playing music:
- The BLUETOOTH function of the BLUETOOTH device is enabled.
 - Pairing has been completed.

- 1 Press BLUETOOTH FUNCTION 7 on the remote or press BLUETOOTH 4 on the unit until "BT AUDIO" appears in the display 13.
- 2 Establish BLUETOOTH connection with the BLUETOOTH device.
 - Once the connection is established, "LINKED" appears in the display 13 then the BLUETOOTH device name set with the BLUETOOTH device appears.
 - If the BLUETOOTH device has been connected with this system in the past, it may be connected automatically with no user operation required.
- 3 Press 11 10 on the remote or 11 10 on the unit to start playback.
 - Depending on the BLUETOOTH device, you may have to press 11 10 or 11 10 twice.
 - Depending on the BLUETOOTH device, you may have to start up the AV software of the BLUETOOTH device beforehand.
- 4 Press VOLUME +/- 21 on the remote or turn the volume dial 14 on the unit to adjust the volume.

Other operations

To	Do the following:
Pause playback	Press 11 10 on the remote or 11 10 on the unit.*
Stop playback	Press 11.
Select a folder	Press 14 +/- 28 (14 +/- 6) on the unit.
Select a file	Press 14/11 12.
Find a point in a file	Hold down 14/11 12 (or 14/11 12) on the unit) during playback and release the button at the desired point.

* Depending on the BLUETOOTH device, you may have to press 11 10 on the unit twice.

Note

These operations may not be available for certain BLUETOOTH devices. In addition, the actual operations may differ depending on the connected BLUETOOTH device.

To check the address of a connected BLUETOOTH device

Press DISPLAY 15 while the BLUETOOTH device name set on the connected BLUETOOTH device is shown in the display 13. The BLUETOOTH device address appears in two installations on the system display for 8 seconds.

To cancel the connection with a BLUETOOTH device

Press BLUETOOTH 4 on the unit. "UNLINKED" appears in the display 13. Depending on the BLUETOOTH device, the connection may be cancelled automatically when you stop playback.

Setting the BLUETOOTH Standby mode

When BLUETOOTH Standby mode is enabled, the system enters Wait mode for BLUETOOTH connection even when the system is turned off. If the system receives a playback command from the connected BLUETOOTH device, it turns on and music is played back. The BLUETOOTH Standby mode is disabled by default.

- 1 Press BLUETOOTH FUNCTION 7 on the remote or press BLUETOOTH 4 on the unit until "BT AUDIO" appears in the display 13.
- 2 Press OPTIONS 22 to display the setting menu.
- 3 Press 4/6 26 repeatedly to select "BT STBY," then press 0 20.
- 4 Press 4/6 26 repeatedly to select "ON" or "OFF," then press 0 20.
- 5 Press I/O 9 to turn off the system.
 - When "BT STBY" is set to "ON," the system turns on and you can listen to music by activating BLUETOOTH on the connected component.

App Remote via BLUETOOTH wireless technology (Android phone)

Downloading the "App Remote" application from Google Play is required for Android phone. If the application is downloaded to an Android phone connected to the unit, the following features are available:

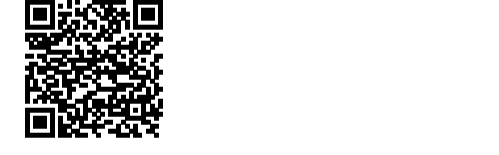
- Operate the unit to launch and control compatible applications on Android phone.
- Operate Android phone with simple finger gestures to control the source of the unit.
- Display detailed source information (song title, artist name, album art, etc.) on Android phone.
- Read out incoming text messages/SMS automatically.

Available operations differ depending on the application. For details on available applications, visit the support site below:

For customers in Europe:
<http://support.sony-europe.com/>
For customers in Latin America:
<http://www.sony-latin.com/index.crp>
For customers in other countries/regions:
<http://www.sony-asia.com/support>

To install the application if you access using 2D Code

Use the 2D Code Reader application.



If the application is not found at the website above, search for "App Remote" on Google Play and install it.

Notes

- The "App Remote" application via the BLUETOOTH function is only available for Android phones with Android 2.2, 2.3, 4.0 or 4.1 installed.
- Automatic reading of the SMS function is only available for Android phones with TTS Engine installed.

Two-way music control with Android phone

Before connecting the mobile device, turn down the volume of the unit.

- 1 Connect this unit and the mobile device via the BLUETOOTH function.
 - If the function of the unit does not appear on the application, press and hold BLUETOOTH 4 on the unit for more than 2 seconds.
- 2 Start up the "App Remote" application.
 - Some playback operations of the unit can be controlled by the mobile device. For details on the operations on the mobile device, see the help of the application.

