

Personal Audio System

Operating Instructions



©2013 Sony Corporation Printed in China

GTK-N1BT



http://www.sony.net/



WARNING

To reduce the risk of fire or electric shock, do not expose this apparatus to rain or moisture.

To reduce the risk of fire, do not cover the ventilation opening of the appliance with newspapers, tablecloths, curtains, etc. Do not expose the appliance to naked flame sources (for example, lighted candles).

To reduce the risk of fire or electric shock, do not expose this appliance to dripping or splashing, and do not place objects filled with liquids, such as vases, on the appliance.

Do not install the appliance in a confined space, such as a bookcase or built-in cabinet.

As the main plug is used to disconnect the unit from the mains, connect the unit to an easily accessible AC outlet. Should you notice an abnormality in the unit, disconnect the main plug from the AC outlet immediately.

The unit is not disconnected from the mains as long as it is connected to the AC outlet, even if the unit itself has been turned off.

Do not expose batteries or appliances with battery-installed to excessive heat, such as sunshine and fire.

Owner's Record

The model and serial numbers are located on the rear of the unit. Record these numbers in the space provided below. Refer to them whenever you call upon your Sony dealer regarding this product.

Model No. GTK-N1BT

Serial No. _____



This symbol is intended to alert the user to the presence of uninsulated "dangerous voltage" within the product's enclosure that may be of sufficient magnitude to constitute a risk of electric shock to persons.



This symbol is intended to alert the user to the presence of important operating and maintenance (servicing) instructions in the literature accompanying the appliance.

Important Safety Instructions

- Read these instructions.
- Keep these instructions.
- Heed all warnings.
- Follow all instructions.
- Do not use this apparatus near water.
- Clean only with dry cloth.
- Do not block any ventilation openings. Install in accordance with the manufacturer's instructions.
- Do not install near any heat sources such as radiators, heat registers, stoves, or other apparatus (including amplifiers) that produce heat.
- Do not defeat the safety purpose of the polarized or grounding-type plug. A polarized plug has two blades with one wider than the

other. A grounding type plug has two blades and a third grounding prong. The wide blade or the third prong are provided for your safety. If the provided plug does not fit into your outlet, consult an electrician for replacement of the obsolete outlet.

- Protect the power cord from being walked on or pinched particularly at plugs, convenience receptacles, and the point where they exit from the apparatus.

- Only use attachments/accessories specified by the manufacturer.

- Use only with the cart, stand, tripod, bracket, or table specified by the manufacturer, or sold with the apparatus. When a cart is used, use caution when moving the cart/apparatus combination to avoid injury from tip-over.

- Unplug this apparatus during lightning storms or when unused for long periods of time.

- Refer all servicing to qualified service personnel. Servicing is required when the apparatus has been damaged in any way, such as power-supply cord or plug is damaged, liquid has been spilled or objects have fallen into the apparatus, the apparatus has been exposed to rain or moisture, does not operate normally, or has been dropped.

The following FCC statement applies only to the version of this model manufactured for sale in the U.S.A. Other versions may not comply with FCC technical regulations.

NOTE:

This equipment has been tested and found to comply with the limits for a Class B digital device, pursuant to Part 15 of the FCC Rules. These limits are designed to provide reasonable protection against harmful interference in a residential installation. This equipment generates, uses and can radiate radio frequency energy and, if not installed and used in accordance with the instructions, may cause harmful interference to radio communications. However, there is no guarantee that interference will not occur in a particular installation. If this equipment does cause harmful interference to radio or television reception, which can be determined by turning the equipment off and on, the user is encouraged to try to correct the interference by one or more of the following measures:

- Reorient or relocate the receiving antenna.
- Increase the separation between the equipment and receiver.
- Connect the equipment into an outlet on a circuit different from that to which the receiver is connected.
- Consult the dealer or an experienced radio/TV technician for help.

CAUTION

You are cautioned that any changes or modifications not expressly approved in this manual could void your authority to operate this equipment.

Properly shielded and grounded cables and connectors must be used for connection to host computers and / or peripherals in order to meet FCC emission limits.

This device complies with Part 15 of the FCC Rules. Operation is subject to the following two conditions: (1) this device may not cause harmful interference, and (2) this device must accept any interference received, including interference that may cause undesired operation.

This equipment must not be co-located or operated in conjunction with any other antenna or transmitter.

This equipment complies with FCC radiation exposure limits set forth for an uncontrolled environment and meets the FCC radio frequency

(C) to OET65. This equipment has very low levels of RF energy that it deemed to comply without maximum permissive exposure evaluation (MPE). But it is desirable that it should be installed and operated keeping the radiator at least 20cm or more away from person's body (excluding extremities: hands, wrists, feet and ankles).

This device complies with Industry Canada licence-exempt RSS standard(s).

Operation is subject to the following two conditions: (1) this device may not cause interference, and (2) this device must accept any interference, including interference that may cause undesired operation of the device.

This equipment complies with IC radiation exposure limits set forth for an uncontrolled environment and meets RSS-102 of the IC radio frequency (RF) Exposure rules.

This equipment has very low levels of RF energy that it deemed to comply without maximum permissive exposure evaluation (MPE). But it is desirable that it should be installed and operated keeping the radiator at least 20cm or more away from person's body (excluding extremities: hands, wrists, feet and ankles).

License and Trademark Notice

•iPhone, iPod, iPod classic, iPod nano, and iPod touch are trademarks of Apple Inc., registered in the U.S. and other countries.

•MPEG Layer-3 audio coding technology and patents licensed from Fraunhofer IIS and Thomson.

•Windows Media is either a registered trademark or trademark of Microsoft Corporation in the United States and/or other countries.

•The BLUETOOTH® word mark and logos are registered trademarks owned by BLUETOOTH SIG, Inc. and any use of such marks by Sony Corporation is under license. Other trademarks and trade names are those of their respective owners.

•The N Mark is a trademark or registered trademark of NFC Forum, Inc. in the United States and in other countries.

•© 2012 CSR plc and its group companies.

The aptX® mark and the aptX logo are trade marks of CSR plc or one of its group companies and may be registered in one or more jurisdictions.

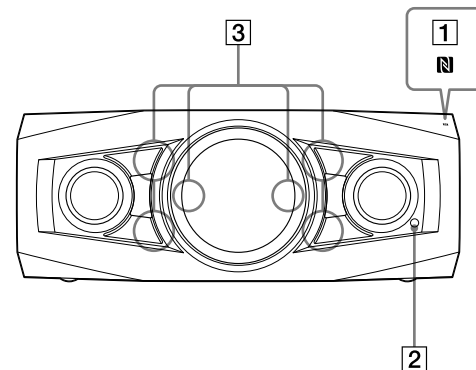
•Android™ and Google Play™ are trademarks of Google Inc.

•This product is protected by certain intellectual property rights of Microsoft Corporation. Use or distribution of such technology outside of this product is prohibited without a license from Microsoft or an authorized Microsoft subsidiary.

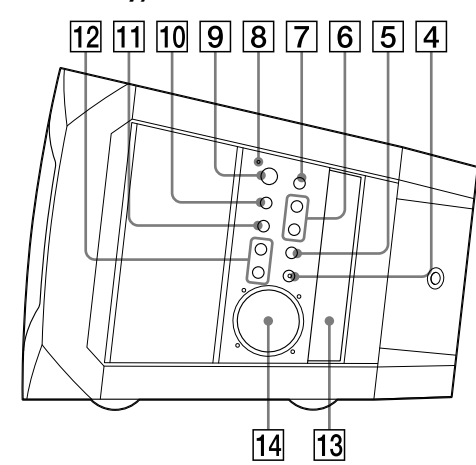
•The system names and product names indicated in this manual are generally the trademarks or registered trademarks of the manufacturer.™ and ® marks are omitted in this manual.

Location of Controls

Unit (Front)



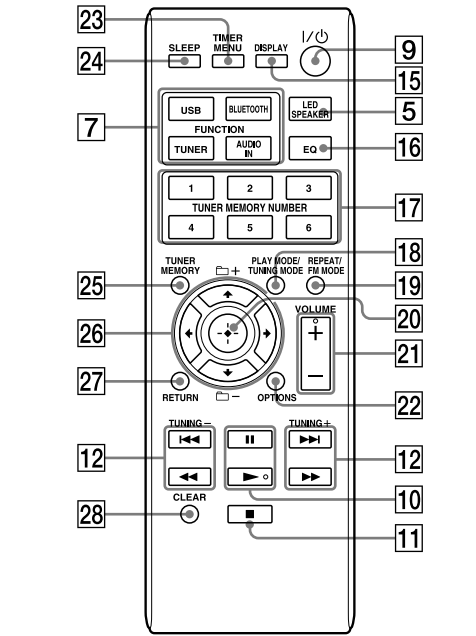
Unit (Right side when installed horizontally)



Note

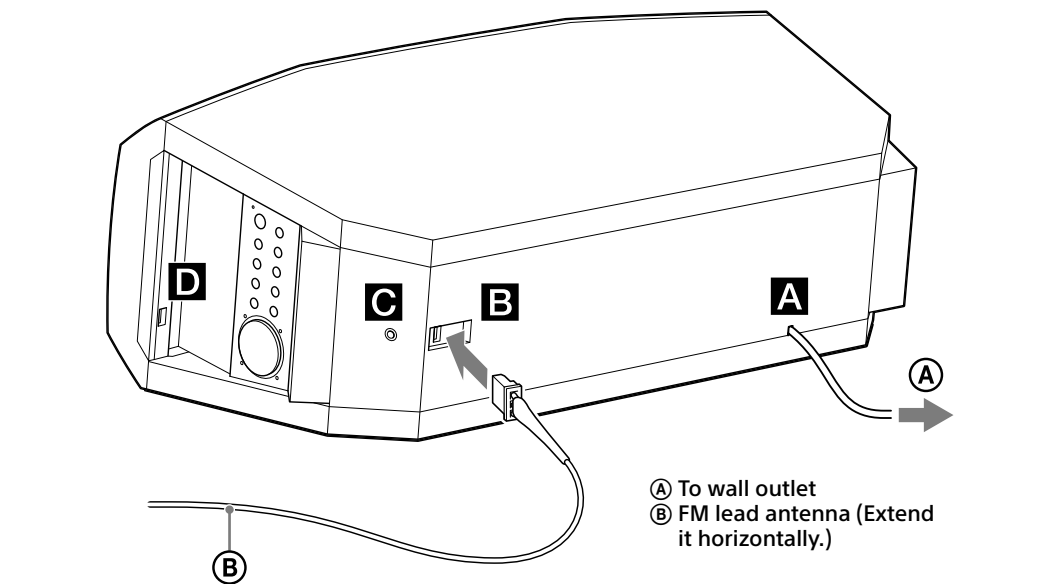
Headphone output is not available as this system does not have a headphone jack.

Remote



This manual mainly explains operations using the remote, but the same operations can also be performed using the buttons on the unit having the same or similar names.

Getting Started



A Power

Connect the power cord ④ to a wall outlet. The demonstration appears in the display ⑬. When you press I/O ⑨, the system turns on and the demonstration automatically ends. If the supplied adaptor on the plug does not fit your wall outlet, detach it from the plug (only for models equipped with an adaptor).

B Antenna

When inserting the connector of FM lead antenna ⑥, make sure to insert it in the correct orientation. Find a location and an orientation that provide good reception when you set up the antenna. Keep the antenna away from the power cord to avoid picking up noise.

C AUDIO IN (external input) jack

Connect optional external equipment using an audio connecting cable (not supplied).

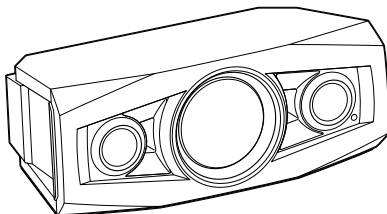
D USB port

Connect an iPod/iPhone or USB device using a USB cable (not supplied).

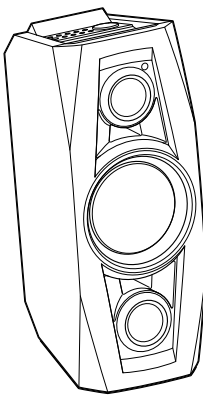
Installing the system

The system can be installed either vertically or horizontally. Select the installation style based on your preferences.

Horizontal installation

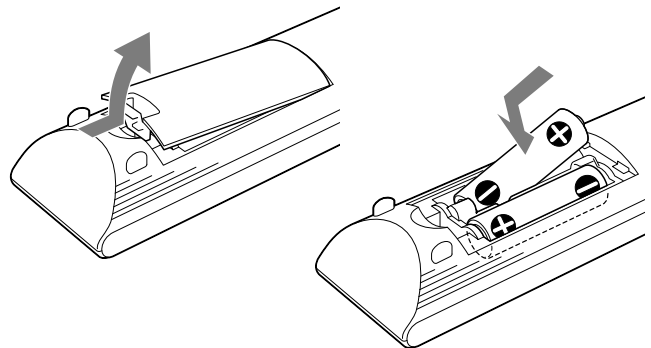


Vertical installation



Using the remote

Insert the two R6 (size AA) batteries (supplied), matching the polarities shown below.



Notes on using the remote

- With normal use, the batteries should last for about 6 months.
- Do not mix an old battery with a new one or mix different types of batteries.
- If you do not use the remote for a long period of time, remove the batteries to avoid damage from battery leakage and corrosion.

Setting the clock

- Press I/O ⑨ to turn on the system.
- Press TIMER MENU ⑳ to select the clock set mode. If "PLAY SET" flashes, press ◀/▶ ㉔ repeatedly to select "CLOCK," and then press ⊙ (enter) ㉕.
- Press ◀/▶ ㉔ repeatedly to set the hour, then press ⊙ ㉕.
- Use the same procedure to set the minutes.

Note

The clock settings are reset when you disconnect the power cord or if a power failure occurs.

To display the clock when the system is off
Press DISPLAY ⑮. The clock is displayed for about 8 seconds.

Operations

Using the BLUETOOTH function

You can listen to music from your "WALKMAN" or BLUETOOTH device over a wireless connection. Before using the BLUETOOTH function, perform pairing to register your BLUETOOTH device.

The system supports registration and connection of the BLUETOOTH device and NFC, which enables data communication by just touching a specified location. For details on NFC, see "Connecting by one-touch action (NFC)."

What is pairing?

The BLUETOOTH devices to be connected must be registered with each other beforehand. Pairing is an operation of registering two devices. Once a pairing operation is performed, it does not have to be performed again. In the following cases, however, a pairing operation must be performed again:

- Pairing information was erased when the BLUETOOTH device was repaired.
- You attempt to pair the system with more than 10 BLUETOOTH devices. This system can pair with up to 9 BLUETOOTH devices. If you pair another BLUETOOTH device after pairing with 9 devices was performed, pairing information of the device that was connected with the system first is overwritten with that of the new device.
- Pairing registration information of this system is erased from the connected device.
- If you initialize the system or erase the pairing history with the system, all the pairing information will be erased.

About the BLUETOOTH indicator

The BLUETOOTH indicator in the center of the BLUETOOTH button ④ allows checking the BLUETOOTH status.

System status	Indicator status
The system is in BLUETOOTH Standby (when the system is on).	Flash slowly in blue.
During BLUETOOTH pairing	Flash quickly in blue.
The system is attempting to connect with a BLUETOOTH device.	Flash in blue.
The system has established in connection with a BLUETOOTH device.	Lit in blue.

Enabling reception of AAC codec

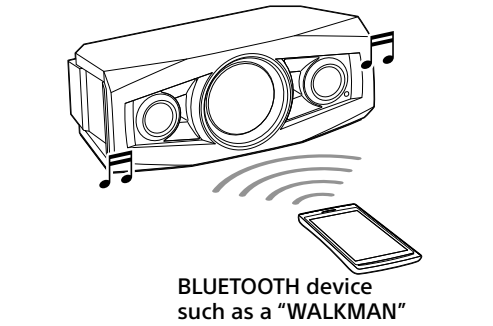
You can receive data in AAC codec format from a BLUETOOTH device. To enable reception, set up using the option menu.

- Press BLUETOOTH FUNCTION ⑦ on the remote or press BLUETOOTH ④ on the unit until "BT AUDIO" appears in the display ⑬.
- Press OPTIONS ㉔ to display the setting menu.
- Press ◀/▶ ㉔ repeatedly to select "BT AAC," then press ⊙ ㉕.
- Press ◀/▶ ㉔ repeatedly to select "ON" or "OFF," then press ⊙ ㉕.
ON: to enable reception in AAC codec format
OFF: to receive in SBC or aptX codec format

Notes

- If you initiate setup during BLUETOOTH connection, the connection is cut.
- When using an Apple product, update it to the latest software version. For details on updating, refer to the operation manual supplied with your Apple product.
- If sound is interrupted during reception in AAC codec format, set the BT AAC menu to "OFF."

Pairing this system with a BLUETOOTH device



- Place the BLUETOOTH device to be connected within 1 meter from the system.
- Press BLUETOOTH FUNCTION ⑦ on the remote or press BLUETOOTH ④ on the unit until "BT AUDIO" appears in the display ⑬.
 - The BLUETOOTH indicator ④ flashes slowly in blue.

- If the system has been automatically connected with the BLUETOOTH device in the past, press BLUETOOTH ④ on the unit to cancel the connection so that "BT AUDIO" appears in the display ⑬.

- Press and hold BLUETOOTH ④ on the unit for 2 seconds or longer. The BLUETOOTH indicator ④ flashes quickly in blue and "PAIRING" flashes in the display ⑬. The system is in Pairing mode.

- Perform the pairing operation on the BLUETOOTH device and search for this system with the BLUETOOTH device.

When searching has finished, a list of the devices found may appear on the BLUETOOTH device display.

- This system appears as "SONY:GTK-N1BT." If it does not appear, perform the procedure from step 1 again.
- When establishing connection with this system, select the audio profile (A2DP, AVRCP) on the BLUETOOTH device.
- If the BLUETOOTH device does not support AVRCP (Audio Video Remote Control Profile), you cannot perform playback or other operations with the system.
- For details on operations of the BLUETOOTH device to be connected, refer to the operation manual supplied with your BLUETOOTH device.

- Select "SONY:GTK-N1BT" in the display of the BLUETOOTH device.

If prompted to enter a passkey on the BLUETOOTH device, enter "0000."

- Operate the BLUETOOTH device and perform BLUETOOTH connection.

When pairing is completed and connection with the BLUETOOTH device is established correctly, the display ⑬ changes to "BT AUDIO" from "PAIRING" and the BLUETOOTH indicator ④ flashes slowly in blue.

- Depending on the type of BLUETOOTH device, connection may start automatically after pairing is completed.

Notes

- "Passkey" may be called "Passcode," "PIN code," "PIN number" or "Password," etc., depending on the device.
- The pairing standby status of the system is cancelled after about 5 minutes. If pairing is not successful, perform the procedure from step 1.
- If you want to pair with several BLUETOOTH devices, perform the procedure from steps 1 to 6 individually for each BLUETOOTH device.

Tip

You can perform a pairing operation or attempt to make a BLUETOOTH connection with another BLUETOOTH device while the BLUETOOTH connection is established with one BLUETOOTH device. The currently established BLUETOOTH connection is cancelled when BLUETOOTH connection with another device is successfully established.

To erase the pairing registration information

- Press BLUETOOTH FUNCTION ⑦ on the remote or press BLUETOOTH ④ on the unit until "BT AUDIO" appears in the display ⑬.

When the system is connected with a BLUETOOTH device, the device name set for the connected BLUETOOTH device appears in the display ⑬ of the system. Press BLUETOOTH ④ on the unit to cancel the connection with that BLUETOOTH device then display "BT AUDIO."

- Press CLEAR ㉒.
- Press ⊙ ㉕.

- "COMPLETE" appears and all the pairing information is erased.

Notes

- If you erase the pairing information, you cannot make a BLUETOOTH connection unless pairing is performed. In order to connect with a BLUETOOTH device after performing this operation, you must enter the passkey again.
- If you erase the pairing information, the BLUETOOTH Standby mode setting is set to off.

Connecting by one-touch action (NFC)

NFC enables data communication by just touching your device to a specified location. Compatible smartphones are those equipped with the NFC function (compatible operating system: Android version 2.3.3 or later with the exception of Android 3.x).

For customers in the United States:
<http://esupport.sony.com/>

For customers in Canada:
<http://esupport.sony.com/CA/>

Preparation on your smartphone (Android)
An NFC-compliant application must be installed on your smartphone. If not installed, you can download "NFC Easy Connect" from Google Play.

- In some countries and regions, NFC-compliant application may not be downloaded.

For some smartphones, this function may be available without downloading "NFC Easy Connect." In this case, the operation and specifications of the smartphone may be different from the description in this manual.

- Install the application.

If you access using 2D Code
Use the 2D Code Reader application.



If the application is not found at the website above, search "NFC Easy Connect" on Google Play and install it.

- Set your smartphone to enable NFC function. For details, refer to the user's guide supplied with your smartphone.

About the "NFC Easy Connect" application

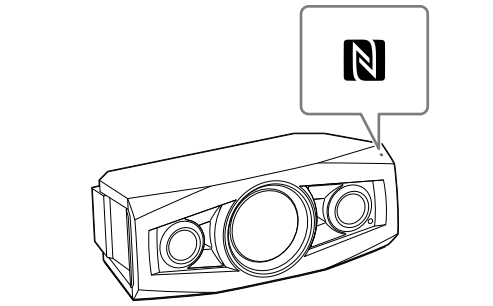
This is a free application especially used for Android. Search the internet for detailed information on "NFC Easy Connect" and download the application.

- In some countries and regions, NFC-compliant application may not be downloaded.

Making a connection with your smartphone by one-touch action
Just touch your smartphone to the system. The system is turned on automatically, and pairing and BLUETOOTH connection are established.

- Start the "NFC Easy Connect" application on your smartphone. Check that the application display appears.

- Touch your smartphone to the unit. Touch the smartphone to the N-Mark ① on the unit and maintain contact until the smartphone vibrates.



Complete the connection with your smartphone, following the instructions on the screen.

Refer to the user's guide of your smartphone for the part of your smartphone used touch contact.

- To disconnect the established connection, touch your smartphone to the N-Mark ① on the unit.
- When you touch an NFC-compliant smartphone to the unit while another BLUETOOTH device is connected with this system, the BLUETOOTH device is disconnected and the system is connected with the smartphone.
- If you touch the smartphone connected with this system to another NFC-compliant BLUETOOTH headset or speaker, the smartphone is disconnected from the system and connected with the touched BLUETOOTH device.

Listening to music through a BLUETOOTH connection

You can operate a BLUETOOTH device by connecting the system and a BLUETOOTH device using AVRCP. Check the following before playing music:

- The BLUETOOTH function of the BLUETOOTH device is enabled.
- Pairing has been completed.

- Press BLUETOOTH FUNCTION ⑦ on the remote or press BLUETOOTH ④ on the unit until "BT AUDIO" appears in the display ⑬.
- Establish BLUETOOTH connection with the BLUETOOTH device.

Once the connection is established, "LINKED" appears in the display ⑬ then the BLUETOOTH device name set with the BLUETOOTH device appears. If the BLUETOOTH device has been connected with this system in the past, it may be connected automatically with no user operation required.

- Press ►|◀ ⑩ on the remote or ►|◀ ⑩ on the unit to start playback. Depending on the BLUETOOTH device, you may have to press ►|◀ ⑩ or ►|◀ ⑩ twice. Depending on the BLUETOOTH device, you may have to start up the AV software of the BLUETOOTH device beforehand.
- Press VOLUME +/- ㉑ on the remote or turn the volume dial ⑭ on the unit to adjust the volume.

Other operations

To	Do the following:
Pause playback	Press ■ ⑩ on the remote or ► ◀ ⑩ on the unit.*
Stop playback	Press ■ ⑪.
Select a folder	Press ◀ +/- ㉒ (▶ +/- ⑧) on the unit.
Select a file	Press ◀▶▶▶ ⑫.
Find a point in a file	Hold down ◀▶▶▶ ⑫ (or ◀▶▶▶▶ ⑫) on the unit) during playback and release the button at the desired point.

* Depending on the BLUETOOTH device, you may have to press ►|◀ ⑩ on the unit twice.

Note

These operations may not be available for certain BLUETOOTH devices. In addition, the actual operations may differ depending on the connected BLUETOOTH device.

To check the address of a connected BLUETOOTH device

Press DISPLAY ⑮ while the BLUETOOTH device name set on the connected BLUETOOTH device is shown in the display ⑬. The BLUETOOTH device address appears in two installations on the system display for 8 seconds.

To cancel the connection with a BLUETOOTH device

Press BLUETOOTH ④ on the unit. "UNLINKED" appears in the display ⑬. Depending on the BLUETOOTH device, the connection may be cancelled automatically when you stop playback.

Setting the BLUETOOTH Standby mode

When BLUETOOTH Standby mode is enabled, the system enters Wait mode for BLUETOOTH connection even when the system is turned off. If the system receives a playback command from the connected BLUETOOTH device, it turns on and music is played back. The BLUETOOTH Standby mode is disabled by default.

- Press BLUETOOTH FUNCTION ⑦ on the remote or press BLUETOOTH ④ on the unit until "BT AUDIO" appears in the display ⑬.
- Press OPTIONS ㉔ to display the setting menu.
- Press ◀/▶ ㉔ repeatedly to select "BT STBY," then press ⊙ ㉕.
- Press ◀/▶ ㉔ repeatedly to select "ON" or "OFF," then press ⊙ ㉕.
- Press I/O ⑨ to turn off the system.

When "BT STBY" is set to "ON," the system turns on and you can listen to music by activating BLUETOOTH on the connected component.

App Remote via BLUETOOTH wireless technology (Android phone)

Downloading the "App Remote" application from Google Play is required for Android phone. If the application is downloaded to an Android phone connected to the unit, the

Two-way music control with Android phone

Before connecting the mobile device, turn down the volume of the unit.

1 Connect this unit and the mobile device via the BLUETOOTH function.

2 Start up the "App Remote" application.

If the function of the unit does not appear on the application, press and hold BLUETOOTH ▣ on the unit for more than 2 seconds.

Some playback operations of the unit can be controlled by the mobile device. For details on the operations on the mobile device, see the help of the application.

Playing a file of the USB device

The audio format that can be played back on this system is MP3/WMA* /AAC*/WAV.
* Files with DRM (Digital Rights Management) copyright protection or files downloaded from an online music store cannot be played on this system. If you try to play one of these files, the system plays the next unproctected audio file.

Check the websites below for the information about compatible USB devices.

For customers in the United States:
http://esupport.sony.com/
For customers in Canada:
http://esupport.sony.com/CA/

1 Press USB FUNCTION ▮ on the remote or press FUNCTION ▮ on the unit repeatedly until "USB" appears in the display ▮.

2 Connect the USB device to the USB port ▣ on the unit.

If the system does not recognize the USB device, disconnect the USB device and reconnect it.

3 Press ▶ ⏮ on the remote or ▶⏮ ⏭ on the unit to start playback.

To	Press
Pause playback	Press ⏮ ⏭ on the remote or ▶ ⏮ ⏭ on the unit. To resume play, press the button again.
Stop playback	■ (stop) ⏮ . To resume play, press ▶ ⏮ on the remote or ▶ ⏮ ⏭ on the unit. To cancel resume play, press ■ ⏮ again*.
Select a folder	▢ +/- ⏮ (▢ +/- ⏮) on the unit repeatedly.
Select a file	◀ (go back)/ ▶ (go forward) ⏮ .
Find a point in a file	Hold down ◀ (rewind)/ ▶ (fast forward) ⏮ (◀ / ▶) ⏮ on the unit) during playback, and release the button at the desired point.
Select Repeat Play	REPEAT ⏮ repeatedly until ◀ (repeat all tracks) or ◀ ▶ (repeat one track) appears.

*1 When playing a VBR MP3/WMA file, the system may resume playback from a different point.

*2 Resume play returns to the top folder.

To change the play mode

Press PLAY MODE ⏮ repeatedly. You can select Normal Play mode (playback in sequence of all files on the USB device), Folder Play mode ("FLDR" for all files in the specified folder on the USB device), or Shuffle Play mode ("SHUF").

Notes on the play mode

- When selecting Shuffle Play mode ("SHUF"), the system shuffles all audio files on the connected USB device in random order. Shuffle Play mode may play the same file repeatedly.
- When the play mode is set to Folder Play mode, ◀▶ is not available.
- When the play mode is set to Shuffle Play mode, the repeat function is not available.
- When repeat play is set, Shuffle Play mode is not available. When repeat play is set to ◀▶, Folder Play mode is not available.
- When you turn off the system, the selected Shuffle Play mode ("SHUF") is cleared and the play mode returns to Normal Play mode.

Note on Repeat play

If you select ◀ when the system is in Normal Play mode, the system executes repeat play of all audio files on the USB device until you stop playback. If you adjust ◀ when the system is in Folder Play mode, the system executes repeat play of all audio files in the selected folder until you stop playback.

Notes

- When USB cable connection is necessary, connect the USB cable supplied with the USB device. See the operation manual supplied with the USB device for details on the operation method.
- It may take about 10 seconds before "READING" appears depending on the type of USB device connected.
- Do not connect the system and the USB device through a USB hub.
- When the USB device is connected, the system reads all the files on the USB device. If there are many folders or files on the USB device, it may take a long time to finish reading the USB device.
- With some connected USB devices, after an operation is performed, there may be a delay before it is performed by this system.
- Compatibility with all encoding/writing software cannot be guaranteed. If audio files on the USB device were originally encoded with incompatible software, those files may produce noise or interrupted sound, or may not be played back at all.
- This system cannot play audio files on the USB device in the following cases:
 - When the total number of audio files in a folder exceeds 256.
 - When the total number of audio files on a USB device exceeds 65,536.

—When the total number of folders on a USB device exceeds 256 (including the "ROOT" folder and empty folders).

- These numbers may vary depending on the file and folder structure. Do not save other types of files or unnecessary folders on a USB device that has audio files.
- This system can play back to a depth of 8 folders only.
- This system does not necessarily support all the functions provided with a connected USB device.
- Resume play will be cancelled when you disconnect the power cord.
- Folders that have no audio files are skipped.
- The audio formats that you can listen to with this system are as follows:
 - MP3: file extension ".mp3"
 - WMA: file extension ".wma"
 - AAC: file extension ".m4a"
 - WAV: file extension ".wav"
- Note that even when file name has the correct file extension, if the actual file differs, the system may produce noise or may malfunction.
- *Disconnect the USB device after stopping playback.

To use the system as a battery charger

You can use the system as a battery charger for USB devices that have a rechargeable function when the system is on. Press USB FUNCTION ▮ on the remote or press FUNCTION ▮ on the unit repeatedly until "USB" appears in the display ▮.

The charging begins when the USB device is connected to the USB port ▣. The charge status appears on the USB device display. For details, see the user's guide of your USB device.

Playing the iPod/iPhone

1 Press USB FUNCTION ▮ on the remote or press FUNCTION ▮ on the unit repeatedly until "USB" appears in the display ▮.

2 Connect the iPod/iPhone to the USB port ▣ on the unit using the USB cable supplied with the iPod/iPhone.

"USB" in the display ▮ changes to "iPod." If the display does not change to "iPod," disconnect the iPod/iPhone and reconnect it.

3 Press ▶ ⏮ on the remote or ▶⏮ ⏭ on the unit to start playback.

To	Press
Pause playback	Press ⏮ ⏭ on the remote or ▶ ⏮ ⏭ on the unit.
Stop playback	■ (stop) ⏮ .
Select a track or chapter of audiobook/ podcast	◀ (go back)/ ▶ (go forward) ⏮ .
Find a point in a track or chapter of audiobook/ podcast	Hold down ◀ (rewind)/ ▶ (fast forward) ⏮ (◀ / ▶) ⏮ on the unit) during playback, and release the button at the desired point.

To use the system as a battery charger

You can use the system as a battery charger for an iPod/iPhone when the system is on. Press USB FUNCTION ▮ on the remote or press FUNCTION ▮ on the unit repeatedly until "USB" appears in the display ▮.

Connect the iPod/iPhone to the USB port ▣ when the iPod/iPhone player is stopped, and the charging begins. The charging status appears on the iPod/iPhone display. For details, see the user's guide of your iPod/iPhone.

To stop charging an iPod/iPhone

Remove the iPod/iPhone.

Note on charging an iPod/iPhone

You cannot charge the iPod/iPhone when the system is off. Some iPod/iPhone may not be charged owing to their characteristics.

Notes

- Turn the "Shake to Shuffle" function off on the iPod/iPhone to avoid unexpected track changes when listening to music at high volumes.
- If the battery of the iPod/iPhone is empty, the system may not recognize it. In such a case, recharge it with a computer, etc. then connect it to the system.
- The performance of the system may vary, depending on the specifications of your iPod/iPhone.
- Hold down ◀/▶ ⏮ ⏭ ⏮ to fast-rewind (or fast-forward) while playing video if ◀/▶ ⏮ ⏭ ⏮ is not function.
- To change the volume, press VOLUME +/- ⏮ on the remote or turn the volume dial ⏮ on the unit. The volume level does not change if you adjust it on the iPod/iPhone.
- To use an iPod/iPhone, refer to the user's guide of your iPod/iPhone.
- *Sony cannot accept responsibility in the event that data recorded to iPod/iPhone is lost or damaged when using an iPod/iPhone with this system.

Listening to the radio

1 Press TUNER FUNCTION ▮ on the remote or press FUNCTION ▮ on the unit repeatedly until "FM" appears in the display ▮.

2 Perform tuning.

For automatic scanning

Press TUNING MODE ⏮ repeatedly until "AUTO" appears, and then press TUNING +/- ⏮ ⏭. Scanning stops automatically and "ST" (for stereo programs only) light up in the display ▮ when a station is found.

scanning, then perform tuning (2) again. When you tune to an FM station that provides RDS services, information such as the service name or station name is provided by broadcasts.

For manual tuning

Press TUNING MODE ⏮ repeatedly until "MANUAL" appears, and then press TUNING +/- ⏮ ⏭ repeatedly to tune to the desired station.

Tip

To reduce static noise on a weak FM stereo station, press FM MODE ⏮ repeatedly until "MONO" appears to turn off stereo reception. You will lose stereo effect, but reception will improve.

Presetting radio stations

1 Tune to the desired station.

2 Press TUNER MEMORY ⏮ to select the tuner memory mode.

Change information in the display ▮ repeatedly when the system is on. Press USB FUNCTION ▮ on the remote or press FUNCTION ▮ on the unit repeatedly until "USB" appears in the display ▮.

The charging begins when the USB device is connected to the USB port ▣. The charge status appears on the USB device display. For details, see the user's guide of your USB device.

If another station is already assigned to the selected preset number, the station is replaced by the new station.

4 Press ⊖ ⏮ to store the station.

5 Repeat steps 1 through 4 to store other stations.

You can preset up to 20 FM stations.

To tune in to a preset radio station

If you registered a radio station to a preset number 1 to 6, the radio station will be tuned in by just pressing the TUNER MEMORY NUMBER (1 to 6) ⏮ when the system function is set to FM. If you registered a radio station to a preset number 7 or higher, press TUNING MODE ⏮ repeatedly until "PRESET" appears then press TUNING +/- ⏮ ⏭ repeatedly to select the desired preset number.

Using optional audio components

1 Prepare the sound source.

Connect additional audio component to the AUDIO IN jack ▣ on the unit using an audio analog cord (not supplied).

2 Adjust the volume level to minimum. Press VOLUME − ⏮ on the remote repeatedly, and turn the volume dial ⏮ on the unit counterclockwise until "VOL MIN" appears in the display ▮.

3 Press AUDIO IN FUNCTION ▮ on the remote or press FUNCTION ▮ on the unit repeatedly until "AUDIO IN" appears in the display ▮.

4 Start playback. Start playback of the connected component and adjust the volume.

Note

The system may enter Standby mode automatically if the volume level of the connected component is too low. Adjust the component's volume accordingly. See "Setting the automatic standby function."

Deactivating the buttons on the unit (Child Lock)

You can deactivate the buttons on the unit (except I/O ⏮) for preventing misoperation, such as child mischief.

Hold down ■ ⏮ on the unit for more than 5 seconds. "CHILD" and "LOCK ON" appear in the display ▮. You can only operate the system using the buttons on the remote. To cancel, hold down ■ ⏮ on the unit for more than 5 seconds until "CHILD" and "LOCK OFF" appear in the display ▮.

Note
Child Lock function will be cancelled when you disconnect the power cord.

Adjusting the sound

To	Press
Adjust the volume	VOLUME +/- ⏮ (or turn the volume dial ⏮ on the unit).
Set the sound effect	EQ ⏮ repeatedly.

Tip

This system is equipped with the DSEE function to reproduce clear treble despite degradation caused by compression. The DSEE function is usually activated automatically by recognizing the sound source, but it may not be activated depending on the function used.

Setting the speaker light illumination

You can set a speaker light illumination from a variety of illumination patterns. The speaker light illumination will create lighting effects based on the music source.

Press LED SPEAKER ▮ repeatedly. Each time you press the button, the pattern changes.

To turn off the speaker light function
Press LED SPEAKER ▮ repeatedly until "LED OFF" appears.

Changing the display

To	Press
Change information in the display ▮ ¹⁾	DISPLAY ⏮ repeatedly when the system is on.
Change Display mode (see below.)	DISPLAY ⏮ repeatedly when the system is off. ²⁾

¹⁾You can view the following information:

- The elapsed playing time, file name and folder name.
- The title, artist and album information.

²⁾The STANDBY indicator ▣ on the unit lights up when the system is off.

The system offers the following display modes.

Display mode	When the system is off ¹⁾
Demonstration	The demonstration is turned on.
Power Saving mode ²⁾	The display is turned off to conserve power. The timer and clock continue to operate.

¹⁾Clock³⁾ The clock is displayed.

²⁾The STANDBY indicator ▣ on the unit lights up when the system is off.

³⁾You cannot set the clock in Power Saving mode.

⁴⁾The clock display automatically turns to Power Saving mode after 8 seconds.

Notes in the display information

- Characters that cannot be displayed appear as " _ "
- Total playing time for a USB device is not displayed.
- The following are not displayed correctly:
 - elapsed playing time of an MP3 file encoded using VBR (variable bit rate).
 - folder and file names that do not follow either the ISO9660 Level 1, Level 2 or Joliet in the expansion format.
- ID3 tag information for MP3 files is displayed when ID3 version 1 and version 2 tags are used (ID3 version 2 tag information display has priority when both ID3 version 1 and version 2 tags are used for a single MP3 file).

Notes in the display information

- Characters that cannot be displayed appear as " _ "
- Total playing time for a USB device is not displayed.
- The following are not displayed correctly:
 - elapsed playing time of an MP3 file encoded using VBR (variable bit rate).
 - folder and file names that do not follow either the ISO9660 Level 1, Level 2 or Joliet in the expansion format.
- ID3 tag information for MP3 files is displayed when ID3 version 1 and version 2 tags are used (ID3 version 2 tag information display has priority when both ID3 version 1 and version 2 tags are used for a single MP3 file).

—folder and file names that do not follow either the ISO9660 Level 1, Level 2 or Joliet in the expansion format.

•ID3 tag information for MP3 files is displayed when ID3 version 1 and version 2 tags are used (ID3 version 2 tag information display has priority when both ID3 version 1 and version 2 tags are used for a single MP3 file).

Using the timers

The system offers 2 timer functions. If you use both timers, the Sleep Timer has priority.

Sleep Timer:
You can fall asleep to music. This function works even if the clock is not set.

Press SLEEP ⏮ repeatedly to select the desired time. To cancel the Sleep Timer, press SLEEP ⏮ repeatedly until "OFF" appears.

Play Timer:
You can wake up to FM reception or USB device at a preset time. Make sure you have set the clock.

1 Prepare the sound source, and then press VOLUME +/- ⏮ on the remote or turn the volume dial ⏮ on the unit to adjust the volume.

2 Select the timer set mode. Press TIMER MENU ⏮.

3 Set the play timer. Press +/- ⏮ ⏭ repeatedly to select "PLAY SET," then press ⊖ ⏮.

4 Set the time to start playback. Press +/- ⏮ ⏭ repeatedly to set the hour, then press ⊖ ⏮. Use the same procedure to set the minutes.

5 Use the same procedure as in step 4 to set the time to stop playback.

6 Select the sound source. Press +/- ⏮ ⏭ repeatedly until the desired sound source appears, then press ⊖ ⏮.

7 Turn off the system. Press I/O ⏮. The system automatically turns on before the preset time.

If the system is already on at the preset time, the Play Timer will not be activated. Do not operate the system from the time the system turns on until the playback starts.

To check the setting

1 Press TIMER MENU ⏮.

2 Press +/- ⏮ ⏭ repeatedly to select "SELECT," and then press ⊖ ⏮.

3 Press +/- ⏮ ⏭ repeatedly to select "PLAY SEL," and then press ⊖ ⏮.

To cancel the timer
Repeat the same procedure as above until "OFF" appears in step 3, and then press ⊖ ⏮.

To change the setting
Start over from step 1 of "Using the timers."

Note

If you select a USB device as a playback source and have many files or folders on that device, it takes time for read processing, causing a slight delay before start of play in response to the timer.

Notes for the iPod/iPhone user

- Make sure the iPod/iPhone is not playing when using the Play Timer.
- The Play Timer may not be activated depending on the status of the connected iPod/iPhone.

Tip

The Play Timer setting remains as long as the setting is not cancelled manually.

To turn off the speaker light function

Press LED SPEAKER ▮ repeatedly until "LED OFF" appears.

Hold down I/O ⏮ ⏮ while the system is on, until "AUTO:STBY OFF" appears. To turn on the function, hold down I/O ⏮ ⏮ until "AUTO:STBY ON" appears.

Notes

- The automatic standby function is invalid for the tuner function (FM), even when you have enabled it.
- The system may not enter standby mode automatically in the following cases:
 - when an audio signal is detected.
 - when a USB device is connected.
 - during playback of audio files.
 - while the preset Play Timer or Sleep Timer is in process.
- The system counts down the time again until it enters Standby mode, even when Automatic Standby function is enabled in the following cases:
 - when a USB device is connected.
 - when a button on the remote or unit is pressed.

Notes in the display information

- Characters that cannot be displayed appear as " _ "
- Total playing time for a USB device is not displayed.
- The following are not displayed correctly:
 - elapsed playing time of an MP3 file encoded using VBR (variable bit rate).
 - folder and file names that do not follow either the ISO9660 Level 1, Level 2 or Joliet in the expansion format.
- ID3 tag information for MP3 files is displayed when ID3 version 1 and version 2 tags are used (ID3 version 2 tag information display has priority when both ID3 version 1 and version 2 tags are used for a single MP3 file).

¹⁾The STANDBY indicator ▣ on the unit lights up when the system is off.

²⁾You cannot set the clock in Power Saving mode.

³⁾The clock display automatically turns to Power Saving mode after 8 seconds.

Troubleshooting

1 Make sure the power cord is connected correctly and firmly.

2 Find your problem in the checklist below, and take the indicated corrective action.

If the issue persists, contact your nearest Sony dealer.

<p>If the STANDBY indicator ▣ flashes</p> <p>Immediately unplug the power cord, and check the following items.</p> <ul style="list-style-type: none">•Is anything blocking the ventilation holes of the system? •Is the USB port ▣ short-circuited? After the STANDBY indicator ▣ stops flashing, reconnect the power cord, and turn on the system. If the issue persists, contact your nearest Sony dealer.
--

General

The demonstration appears in the display ▮ after plugging in the power cord even though the system is not turned on.

- Press DISPLAY ⏮ once while the system is off. The demonstration disappears.

•Set the clock. See "Setting the clock."

The system does not turn on.

- Is the power cord plugged in?

The system has entered standby mode unexpectedly.

- This is