

Personal Audio System

Operating Instructions



©2014 Sony Corporation Printed in China

ZS-RS60BT

http://www.sony.net/



WARNING

To reduce the risk of fire or electric shock, do not expose this apparatus to rain or moisture.

To reduce the risk of fire, do not cover the ventilation opening of the appliance with newspapers, tablecloths, curtains, etc. Do not expose the appliance to naked flame sources (for example, lighted candles).

To reduce the risk of fire or electric shock, do not expose this apparatus to dripping or splashing, and do not place objects filled with liquids, such as vases, on the apparatus.

As the main plug is used to disconnect the unit from the mains, connect the unit to an easily accessible AC outlet. Should you notice an abnormality in the unit, disconnect the main plug from the AC outlet immediately.

The unit is not disconnected from the AC power source (mains) as long as it is connected to the wall outlet, even if the unit itself has been turned off. Do not install the appliance in a confined space, such as a bookcase or built-in cabinet.

Excessive sound pressure from earphones and headphones can cause hearing loss.

Do not expose the batteries (battery pack or batteries installed) to excessive heat such as sunshine, fire or the like for a long time.

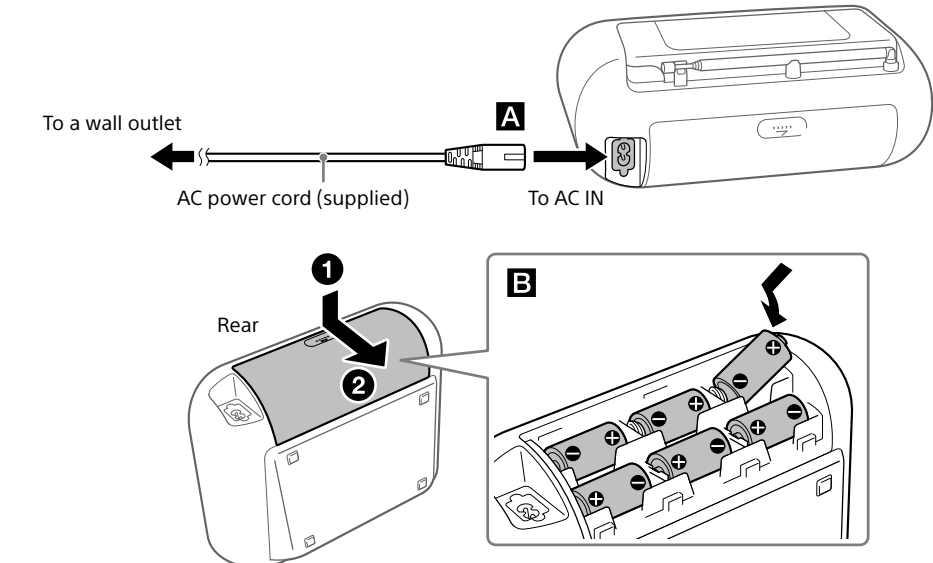
The nameplate is located on the bottom exterior.

For customers in Europe

Notice for customers: the following information is only applicable to equipment sold in countries applying EU directives
This product has been manufactured by or on behalf of Sony Corporation, 1-7-1 Konan Minato-ku Tokyo, 108-0075 Japan. Inquiries related to product compliance based on European Union legislation shall be addressed to the authorized representative, Sony Belgium, bijkantor van Sony Europe Limited, Da Vincilaan 7-D1, 1935 Zaventem, Belgium. For any service or guarantee matters, please refer to the addresses provided in the separate service or guarantee documents.

Power Sources

Connect the AC power cord **A**, or insert six R14 (size C) batteries (not supplied) into the battery compartment **B**.

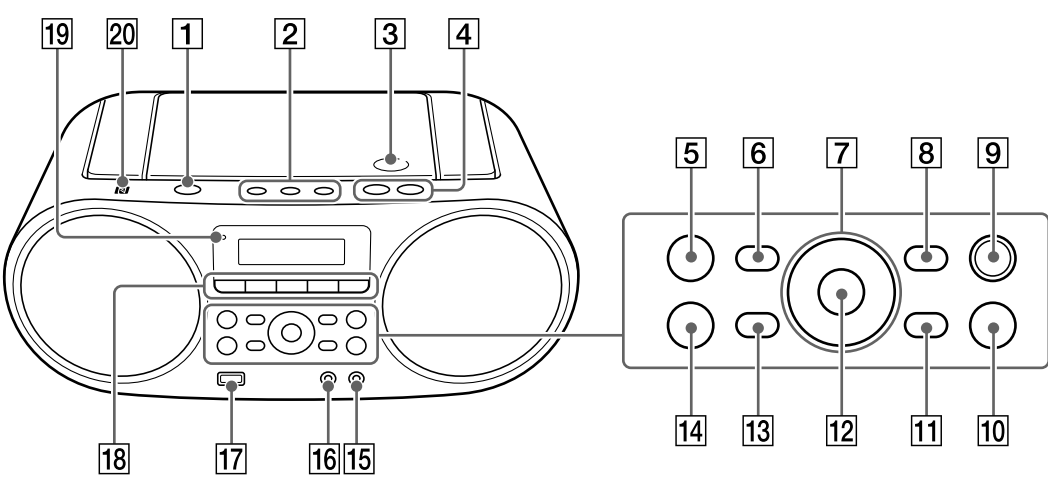


- Notes**
- When using the radio on batteries and the battery power drops to a certain level, the OPR/BATT indicator **18** dims or the power of the radio may go off during playback. If this happens, replace all the batteries with new ones. Even after the OPR/BATT indicator **18** becomes dim, you can use the radio function for some time, although you cannot use the CD player. Before you replace the batteries, be sure to remove any CD and disconnect any USB devices or optional components from the unit.
 - To use the unit on batteries, disconnect the AC power cord from the unit and the wall outlet.
 - In standby mode with the AC power cord connected, "STANDBY" appears on the display.

To use the power-management function (European models only)
This unit is equipped with an automatic standby function. With this function, the unit enters standby mode automatically after about 15 minutes if there is no operation or audio signal output. To turn standby mode on or off, press VOL - **4** while holding down **▲ 7**. Each time you press the buttons, "AUTO STANDBY ON" or "AUTO STANDBY OFF" appears on the display.

- Notes**
- The displayed content starts flashing on the display about 2 minutes before entering standby mode.
 - The automatic standby function is not available with the FM/AM function.

Basic Operations



* **▶ 11 5** and VOL + **4** have a tactile dot.

Before using the unit

To turn the power on or off
Press OPERATE **1**. You can also turn on the power of this unit using the direct power-on function (below).
In this manual, operations are mainly explained using the direct power-on function.

To use the direct power-on function
Press CD **18**, USB **18**, BLUETOOTH **18**, FM/AM **18**, AUDIO IN **18** or FAVORITE RADIO STATIONS (1-3) **2** while the unit is turned off. The power turns on with the relevant function selected.

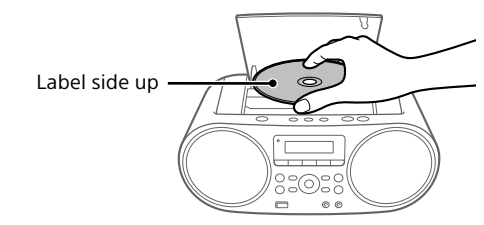
To adjust the volume
Press VOL + or - **4**.

To listen through headphones
Connect headphones to the **∅** (headphones) jack **16**.

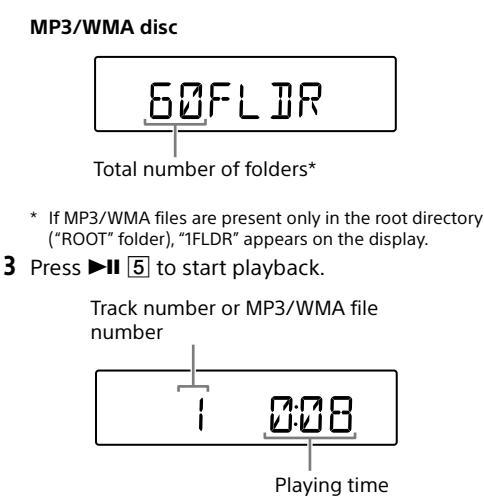
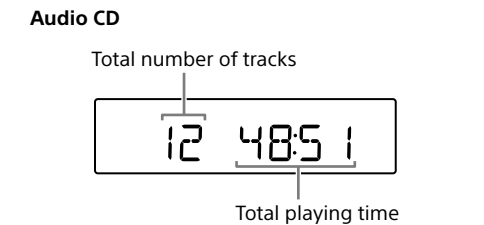
To reinforce the bass
Press MEGA BASS **18**.
"MEGA BASS" lights up on the display.
To return to normal sound, press the button again.

Playing a music disc

- Press CD **18** to turn on the CD function.
- Press PUSH OPEN/CLOSE **▲ 3**, place a disc in the CD compartment and then close the compartment cover.



The disc is loaded and the disc information appears on the display.



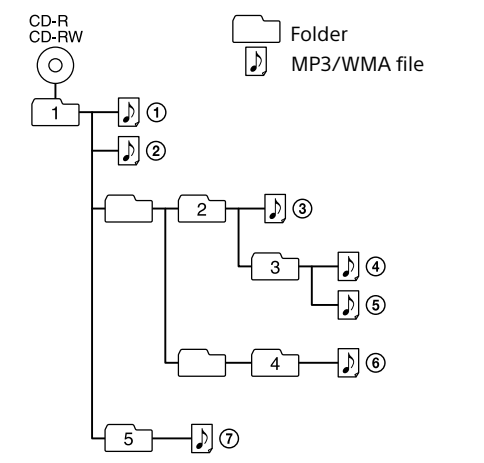
When you play an MP3/WMA disc, the folder name*¹ and song title are displayed before the playing time*² appears.
*¹ If MP3/WMA files are present only in the root directory, "ROOT" appears on the display.
*² If the playing time is longer than 100 minutes, "----" appears on the display.

Other operations	
To	Do this
Pause playback	Press ▶ 11 5 . To return to playback, press the button again.
Stop playback	Press ■ 14 . When you press ▶ 11 5 after playback is stopped, playback starts from the point where you stopped playback (Resume Play).
Select a folder on an MP3/WMA disc	Press ◀ + or - 7 .
Select a track/file	Press ◀◀ or ▶▶ 7 . You can skip tracks/files one by one.
Find a point in a track/file	Hold down ◀◀ or ▶▶ 7 during playback, and release the button at the desired point. When locating a point while paused, press ▶ 11 5 to start playback after the desired point is found.

Tip
To cancel the Resume Play, press **■ 14** while the CD is stopped.

Note
Resume Play is cancelled in the following cases:
- When you open the CD compartment.
- When you turn off the power.

Example of folder structure and playing order
The playing order of the folders and files is as follows. However, the playing order may differ from the original order on the USB device, depending on the recording method used.



- Notes on MP3/WMA discs**
- When a disc is loaded, the unit reads all the files on that disc. During this time, "READING" is flashing. If there are many folders or non-MP3/WMA files on the disc, it may take a long time for play to begin or for the next MP3/WMA file to start to play.
 - We recommend that non-MP3/WMA files or unnecessary folders are excluded when creating MP3/WMA discs.
 - During playback, audio files other than MP3 and WMA files are skipped even if those files are included in a folder.
 - The audio formats supported by this unit are as follows:
- MP3: File extension ".mp3"
- WMA: File extension ".wma"
Note that even if the file name has the correct file extension but the actual file was created in a different audio format, this unit may produce noise or may malfunction.
 - MP3 PRO format is not supported.

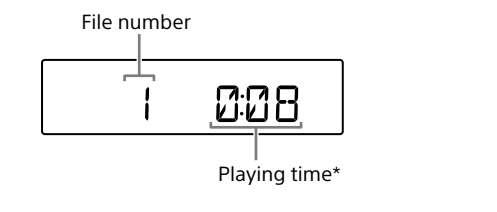
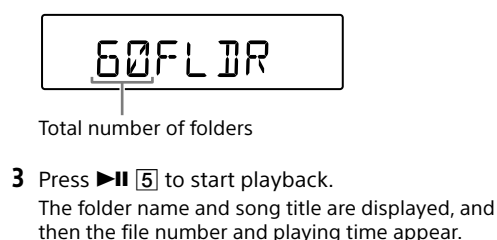
- WMA files encoded in WMA DRM, WMA Lossless and WMA PRO formats cannot be played back.
- This unit cannot play audio files on a disc in the following cases:
- When the total number of audio files exceeds 999.
- When the total number of folders on a single disc exceeds 256 (including the "ROOT" folder).
- When the directory level (folder depths) exceeds 8 (including the "ROOT" folder).
- Folder names can be displayed with up to 32 characters, including quotation marks.
- File names can be displayed with up to 32 characters, including quotation marks and file extensions.
- Characters and symbols that cannot be displayed by the unit will appear as ".".
- This unit conforms to version 1.0, 1.1, 2.2, 2.3 and 2.4 of the ID3 tag format for MP3 files, the WMA tag format defined by the ASF specification (Advanced Systems Format) for WMA files, and the AAC tag format for AAC files. When a file has the ID3, WMA or AAC tag information, the song title, artist name, and album name will be displayed. If a file does not have the tag information, the unit displays as follows:
- File name instead of the song title.
- "NO ARTIST" message instead of the artist name.
- "NO ALBUM" message instead of the album name.
ID3 and WMA tag information can be displayed up to 64 characters.

Listening to music on a USB device

You can listen to audio files stored on a USB device (a digital music player or USB storage media). Audio files in MP3, WMA and AAC formats* can be played on this unit.

- Files with copyright protection (Digital Rights Management) cannot be played on this unit.

- Connect the USB device to the **∅** (USB) port **17**.
- Press USB **18** to turn on the USB function. The volume label scrolls once, then the total number of folders appears on the display.

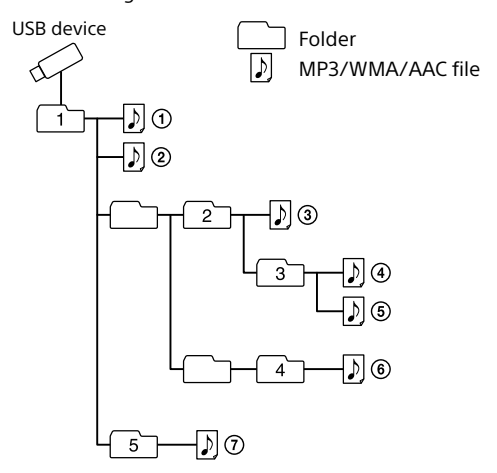


* If the playing time is longer than 100 minutes, "----" appears on the display.

Other operations	
To	Do this
Pause playback	Press ▶ 11 5 . To return to playback, press the button again.
Stop playback	Press ■ 14 . When you press ▶ 11 5 after playback is stopped, playback starts from the point where you stopped playback (Resume Play).
Select a folder	Press ◀ + or - 7 .
Select a file	Press ◀◀ or ▶▶ 7 . You can skip files one by one. To skip files continuously, hold down ◀◀ or ▶▶ 7 and release the button at the desired file.
Find a point in a file	Hold down ◀◀ or ▶▶ 7 during playback, and release the button at the desired point. When locating a point while paused, press ▶ 11 5 to start playback after the desired point is found.

* When playing a VBR MP3/WMA/AAC file, playback may restart from a different point.

Note
When removing a USB device, hold down **■ 15** until "NO DEF" appears, and then turn off the unit or switch to other functions beforehand. Removing the USB device without performing these steps may corrupt the data on the USB device or damage the device itself.



- Notes on the USB device**
- It may take a long time before playback starts when:
- the folder structure is complex.
- the USB device is close to capacity.
 - Do not save non-MP3/WMA/AAC files or unnecessary folders to a USB device that contains MP3/WMA/AAC files.
 - During playback, audio files other than MP3, WMA and AAC files are skipped even if those files are included in a folder.
 - The audio formats supported by this unit are as follows:
- MP3: file extension ".mp3"
- WMA: file extension ".wma"
- AAC: file extension ".m4a", ".3gp" and ".mp4"
Note that even if the file name has the correct file extension but the actual file was created in a different audio format, this unit may produce noise or may malfunction.
 - MP3 PRO format is not supported.
 - WMA files encoded in WMA DRM, WMA Lossless and WMA PRO formats cannot be played back.
 - AAC files encoded in copyright-protected AAC format cannot be played back.
 - This unit supports the AAC-LC (AAC Low Complexity) profile.
 - This unit cannot play audio files on a USB device in the following cases:
- When the total number of audio files in a single folder exceeds 999.
- When the total number of audio files on a single USB device exceeds 5,000.
- When the total number of folders on a single USB device exceeds 256 (including the "ROOT" folder).
- When the directory level (folder depths) exceeds 8 (including the "ROOT" folder).
These numbers may vary depending on the file and folder structure.
 - Compatibility with all encoding/writing software is not guaranteed. If audio files on the USB device were originally encoded with incompatible software, those files may produce noise or interrupted sound, or may not be played back at all.

- Folder names can be displayed with up to 32 characters, including quotation marks.
- File names can be displayed with up to 32 characters, including quotation marks and file extensions.
- Characters and symbols that cannot be displayed by the unit will appear as ".".
- This unit conforms to version 1.0, 1.1, 2.2, 2.3 and 2.4 of the ID3 tag format for MP3 files, the WMA tag format defined by the ASF specification (Advanced Systems Format) for WMA files, and the AAC tag format for AAC files. When a file has the ID3, WMA or AAC tag information, the song title, artist name, and album name will be displayed. If a file does not have the tag information, the unit displays as follows:
- File name instead of the song title.
- "NO ARTIST" message instead of the artist name.
- "NO ALBUM" message instead of the album name.
ID3, WMA and AAC tag information can be displayed up to 64 characters.

Transferring music from a disc to a USB device

You can transfer a whole disc (CD SYNC transfer) or the currently playing track or file (REC1 transfer) to a USB device (digital music player or USB storage media, etc.). When transferring from a CD, the tracks are transferred as MP3 files with a sampling frequency of 44.1 kHz at 128 kbps (CBR). When transferring from an MP3/WMA disc, MP3/WMA files are transferred with the same bit rate as the original MP3/WMA files.

- Connect the USB device to the **∅** (USB) port **17**.
- Press CD **18** to turn on the CD function.
- Place the disc you want to transfer in the CD compartment.

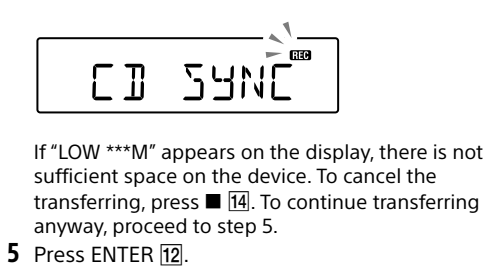
■ CD SYNC transfer
To transfer a whole disc
Proceed to step 4.

To transfer MP3/WMA files in a specific folder
Set the play mode to folder play (**∅**) or folder repeat play (**◀◀** or **▶▶** **7**), and then press **◀ + or - 7** repeatedly to select the folder you want.

To transfer only your favorite tracks/files
Perform step 1 to 5 of "Creating your own program (Program Play)" on the back page.

■ REC1 transfer
To transfer a single track/file
Select and start playback of the track/file you want to transfer.

- Press REC **9**.
"REC" flashes on the display and the unit starts calculating the amount of free space on the USB device.



If "LOW ***M" appears on the display, there is not sufficient space on the device. To cancel the transferring, press **■ 14**. To continue transferring anyway, proceed to step 5.

- Press ENTER **12**.
Transferring starts.
When transferring is completed, playback stops automatically (CD SYNC transfer) or proceeds to the next track/file (REC1 transfer).

To stop transferring
Press **■ 14**.
When the transferring source is a CD-DA track, the audio file is generated up to the point the transferring was stopped. When the source is an MP3 or WMA file, the file that is currently being transferred is not generated.

Folder and file generation rules
When first transferring to a USB device, a "MUSIC" folder and its sub folder "SONY" are created directly below the "ROOT" folder.
Folders and files are generated within the "CD" folder under the "SONY" folder based on the following rules.

CD SYNC transfer		
Transferring source	Folder name	File name
MP3/WMA	Same as the transferring source*1,2	
CD-DA	"ALBUM001"*3	"TRACK001"*4

REC1 transfer		
Transferring source	Folder name	File name
MP3/WMA	"REC1"*5	
CD-DA	"TRACK001"*4	

- *¹ In Program Play mode, the folder name is "FLDRxxx" and the file name depends on the transferring source.
- *² Up to 32 characters (including a file extension for a file that can be displayed).
- *³ Folder names are assigned in sequential order up to a maximum of 256 (including the "ROOT" and "MUSIC" folders).
- *⁴ File names are assigned in sequential order.
- *⁵ A new file is transferred to the "REC1" folder each time single track transfer is performed.

To erase audio files or folders from the USB device

- Press **◀◀ or ▶▶ 7** repeatedly to select an audio file, or press **◀ + or - 7** repeatedly to select a folder.
- Press ERASE **11**.
"ERASE?" appears on the display.
- Press ENTER **12**.
"TRACK ERASE?" or "FOLDER ERASE?" appears on the display.
- Press ENTER **12**.
The selected audio file or folder is erased, and "COMPLETE" appears on the display.

- Notes**
- If you start transferring in shuffle play or repeat play mode, the selected play mode is automatically changed to normal play.
 - Do not remove the USB device during transferring or erase operations. Doing so may corrupt the data on the device or damage the device itself.
 - While transferring, no sound is output and "HI-SPEED" appears on the display.
 - CD-TEXT information is not transferred in the created MP3 files.
 - Transferring stops automatically if:
- the USB device runs out of space during transferring.
- the number of audio files and folders on the USB device reaches the limit that the unit can recognize.
 - Non-MP3/WMA/AAC format files or sub folders in the folder are not erased.
 - Radio sound and sound from an optional component cannot be transferred to a USB device.

Note on copyright-protected content
The transferred music is limited to private use only. Use of the music beyond this limit requires permission from the copyright holders.

Listening to music wirelessly on a BLUETOOTH device

Using the BLUETOOTH connection, you can listen to music from wirelessly connected BLUETOOTH devices such as mobile phones, smartphones, music players, etc.



Pairing this unit with a BLUETOOTH device

BLUETOOTH devices must be "paired" with each other beforehand. Once BLUETOOTH devices are paired, there is no need for pairing again, unless the pairing information is cleared.
Choose the pairing method below depending on your device.

Pairing with an NFC-incompatible BLUETOOTH device: see (Pattern A)

Pairing with an NFC-compatible smartphone: see (Pattern B)

Pairing with an NFC-incompatible BLUETOOTH device
Keep the BLUETOOTH connection to the unit within 1 meter of each other for this operation.

- Press BLUETOOTH **18** to turn on the BLUETOOTH function.
If no devices have been paired, such as when you press BLUETOOTH **18** for the first time after you purchase the unit, the unit automatically enters pairing mode, and the BLUETOOTH indicator **8** and "PAIRING" flash on the display.



When pairing with two or more BLUETOOTH devices
Hold down BLUETOOTH (-PAIRING) **18** until two beeps are heard.

- Turn on the BLUETOOTH function of the BLUETOOTH device.
- Perform the pairing procedure on the BLUETOOTH device to detect the unit.
- Select "ZS-RS60BT" shown on the display of the BLUETOOTH device.

- If "ZS-RS60BT" does not appear on the device's display, repeat from step 2.
- If "Passcode" input is required on the display of the BLUETOOTH device, input "0000".
The BLUETOOTH connection is established. "BT AUDIO" appears on the display.
* "Passcode" may be referred to as "Passkey", "PIN code," "PIN number," or "Password."



Tip
You can pair up to 8 BLUETOOTH devices. If the 9th BLUETOOTH device is paired, the oldest paired device will be deleted.

- Notes**
- Pairing mode of the unit is cancelled after about 5 minutes, and the BLUETOOTH indicator **8** flashes, if pairing mode is cancelled while performing this procedure, start over from step 1.
 - The passcode of the unit is fixed as "0000". The unit cannot be paired with a BLUETOOTH device whose Passcode is not "0000".

Pattern B
Pairing with an NFC-compatible smartphone

By just touching the unit with an NFC-compatible smartphone, the unit is turned on and switched to the BLUETOOTH function automatically and then paired and connected to the smartphone.

Compatible smartphones
Smartphones with the NFC function built-in (OS: Android™ 2.3.3 or later, excluding Android 3.x)

What is "NFC"?
NFC (Near Field Communication) is a technology enabling short-range wireless communication between various devices, such as mobile phones and IC tags. Thanks to the NFC function, data communication can be achieved easily just by touching the relevant symbol or designated location on NFC compatible devices.

- Turn on the NFC function of the smartphone. For details, refer to the operating instructions supplied with the smartphone.

If your smartphone OS is Android 2.3.3 or later, but earlier than Android 4.1
Proceed to step 2.

If your smartphone OS is Android 4.1 or later
Proceed to step 4.

- Download and install the app "NFC Easy Connect" on the smartphone.
"NFC Easy Connect" is an original app by Sony for Android phones, and is available at the Google Play™ Store.
Search for "NFC Easy Connect" or scan the following two-dimensional code to download and install the free app. Communication fees are required to download the app.
The App may not be available in some countries and/or regions.

Tip
For some smartphones, One-touch connection may be available without downloading the app "NFC Easy Connect." In that case, the operation and specifications may be different from the description here. For details, refer to the operating instructions supplied with the smartphone.

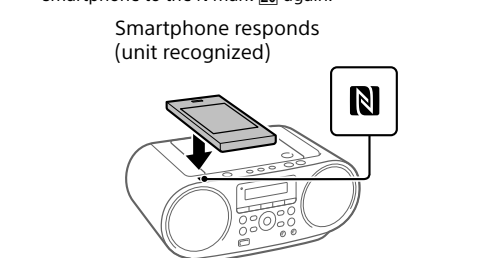
For the two-dimensional code:
Use a two-dimensional code reader app.



- Start the app "NFC Easy Connect" on the smartphone. Make sure that the application screen is displayed.

- Touch the unit with the smartphone. Keep touching the smartphone to the N mark **18** on the unit until the smartphone responds.

Note
If your smartphone screen is locked, the smartphone will not function. Release the lock, then touch the smartphone to the N mark **18** again.



Follow the on-screen instructions to establish the connection.

When the BLUETOOTH connection is established, "BT AUDIO" appears on the display.



Patterns A and B

- Tips**
- If it is difficult to establish the connection, try the following.
- Activate the app "NFC Easy Connect" and move the smartphone slightly across the N mark **18** on the unit.
- If the smartphone is in a case, remove it.
 - Touch the unit with the smartphone again to disconnect.
 - If you have multiple NFC-compatible devices, just touch the smartphone to a different device to switch the connection to that device. For example, when your smartphone is connected with NFC-compatible headphones, just touch the smartphone to the unit to change the BLUETOOTH connection to the unit (One-touch connection switching).

Listening to music

Check the following before operating the unit.
- The BLUETOOTH function of the BLUETOOTH device is turned on.

- Pairing has been completed. (See "Pairing this unit with a BLUETOOTH device".)

- Make the BLUETOOTH connection between the unit and the device.

For an NFC-incompatible BLUETOOTH device
Press BLUETOOTH **18** to turn on the BLUETOOTH function. The last connected device will be connected automatically.

For an NFC-compatible smartphone
Touch the smartphone to the N-Mark **18** on the unit.

- Start playback of an audio source such as music, videos, games, etc., on the device. Refer to the instruction manual of your device for details on playback operations.

Tip
To adjust the volume, set the volume of the BLUETOOTH device or the smartphone to the moderate level, and then press VOL - or + **4** on the unit.

To terminate a BLUETOOTH connection
Do any of the following.

- Turn off the BLUETOOTH function of the BLUETOOTH device. For details, refer to the operating instructions supplied with the device.
- Turn off the BLUETOOTH device.
- Change the function of the unit.
- Turn off the unit.
- Touch the unit with the smartphone again to disconnect (NFC-compatible smartphones only).

To clear the paired device information

- Hold down ERASE **11** until "BT RESET" appears on the display.
- Press ENTER **12**.
When the paired device information is cleared, "COMPLETE" appears on the display. To cancel the reset operation, press **■ 14**.

Listening to the radio

- Press FM/AM **18** repeatedly to turn on the radio function and select the band "FM" or "AM."
- Hold down TUNE + or - **7** until the frequency digits begin to change on the display. The unit automatically scans the radio frequencies and stops when it finds a clear station.

If you cannot tune to a station using automatic tuning mode, press TUNE + or - **7** repeatedly to change the frequency step by step. When an FM stereo broadcast is received, "ST" lights up on the display.

Note
The unit of frequency of tuned stations is MHz for the FM band and kHz for the AM band.

To change the

