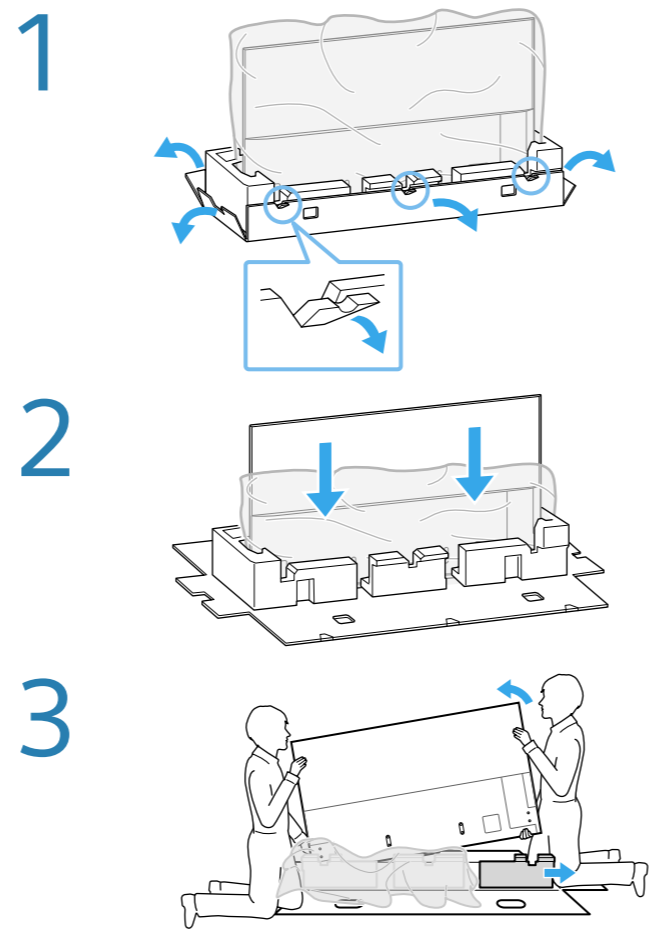
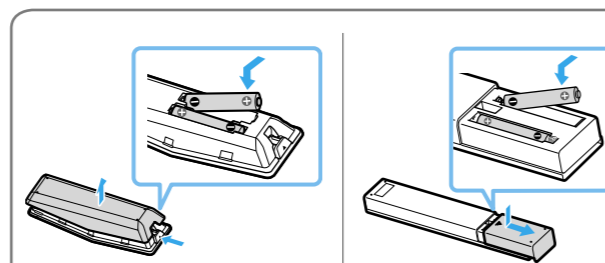
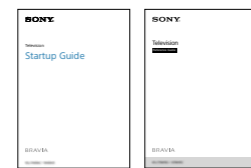
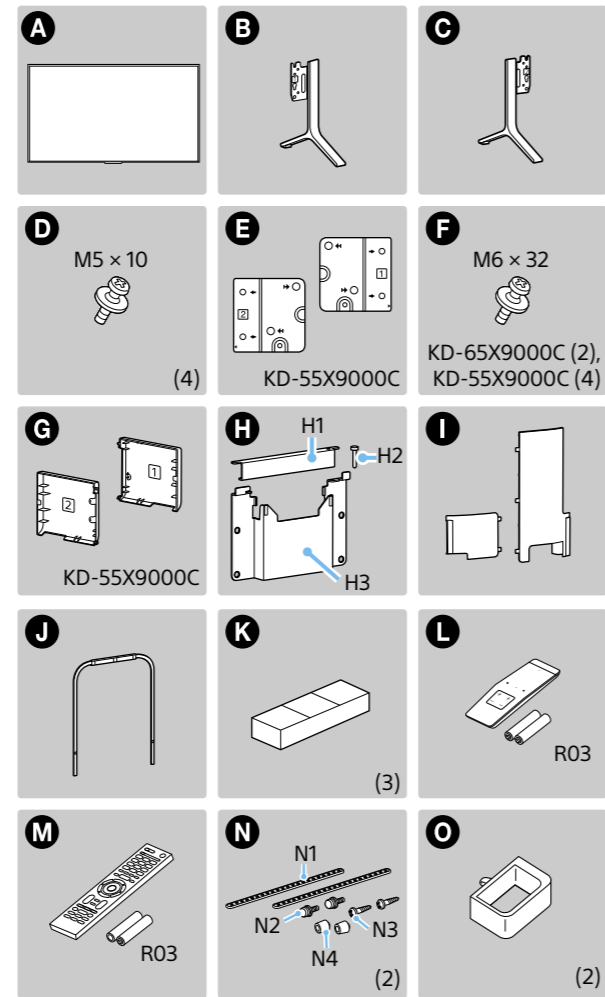
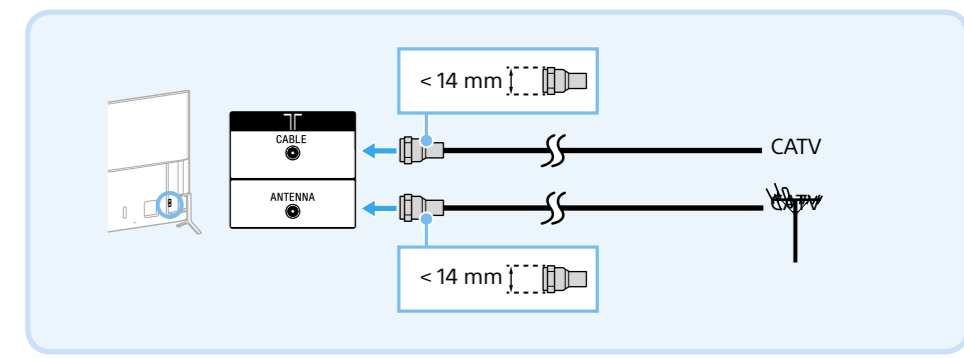
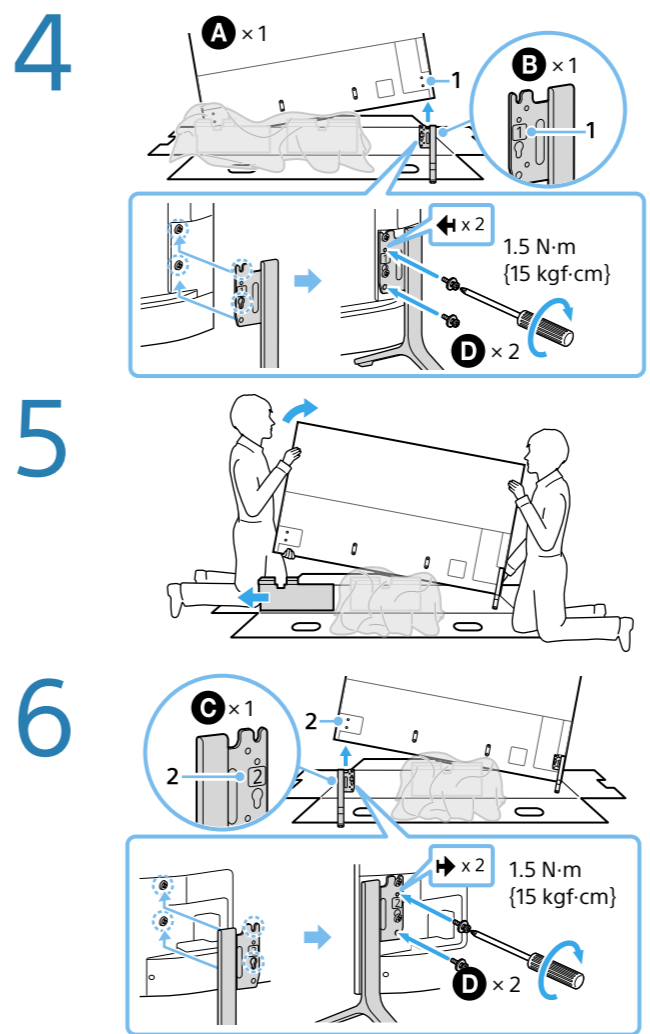


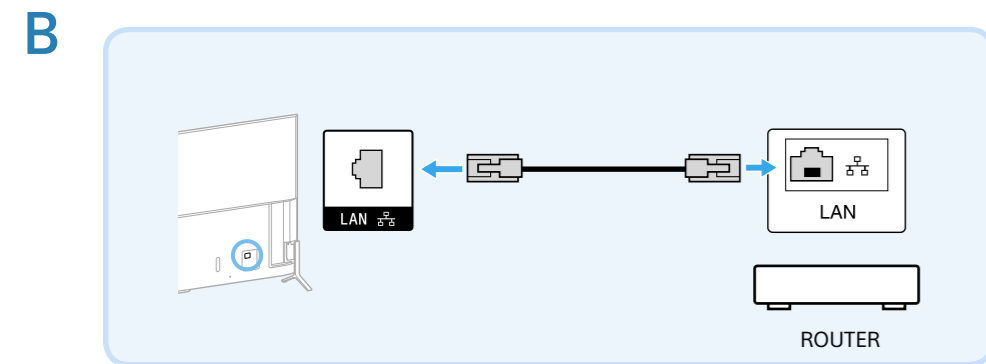
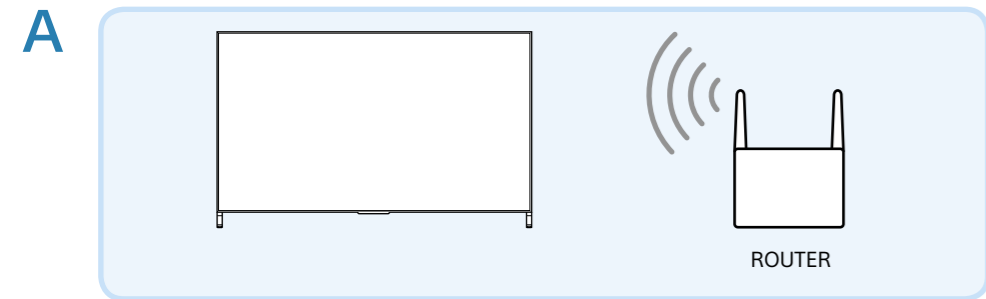
Startup Guide



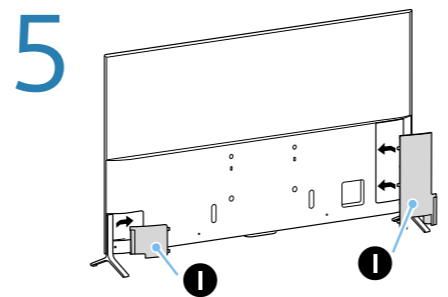
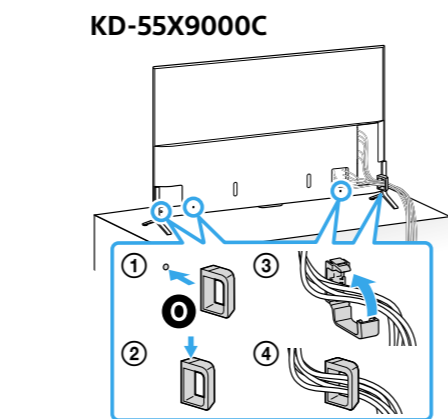
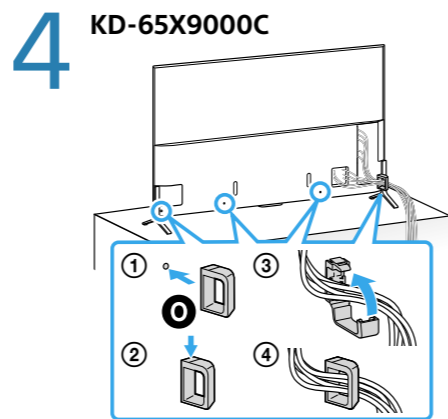
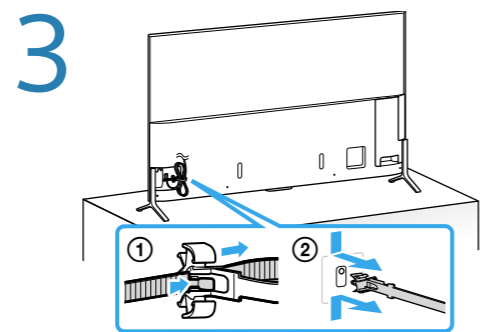
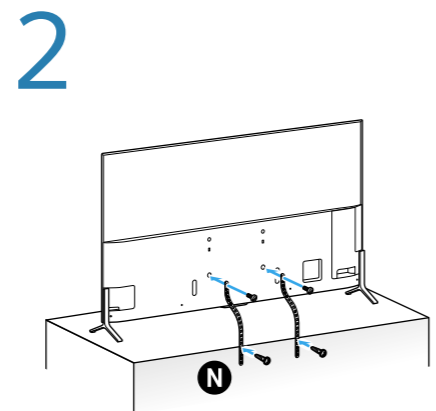
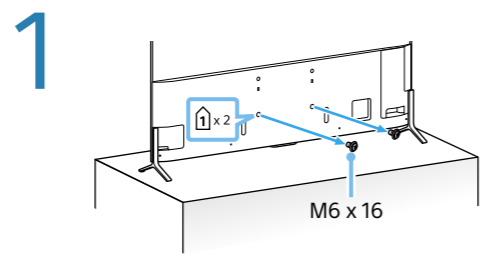
Refer to "Safety Information" in the Reference Guide before transporting the TV.
To change the Table-Top Stand to an alternative position, refer to Reference Guide.



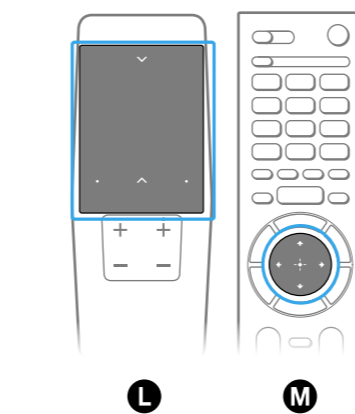
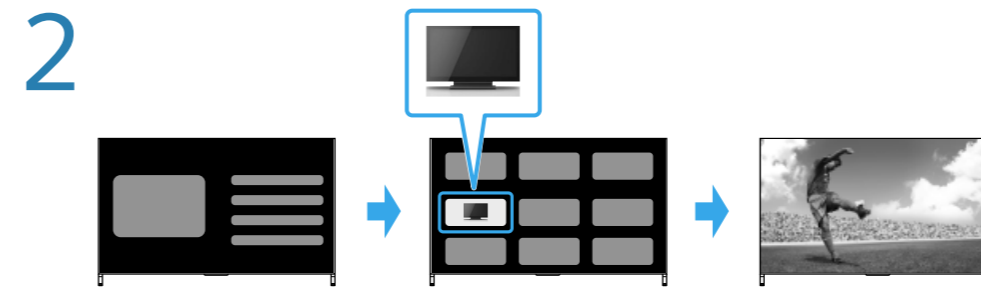
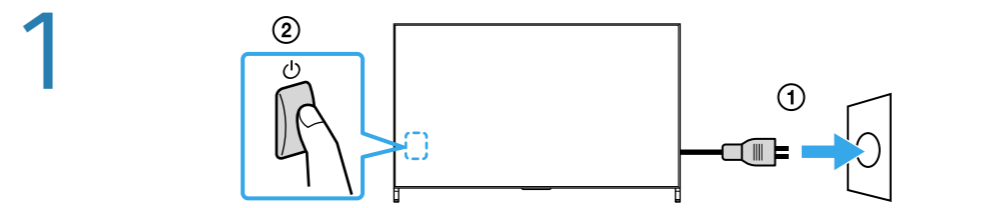
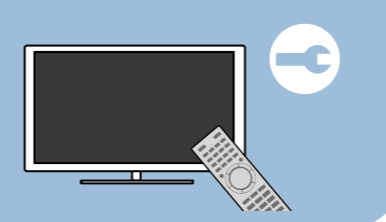
Connections Refer to "Connecting the TV" in the Reference Guide for additional connection information.



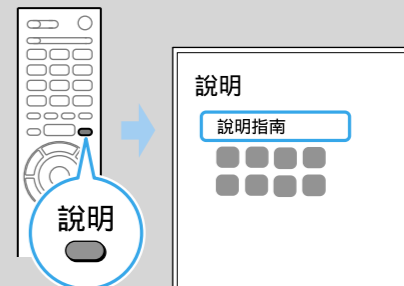
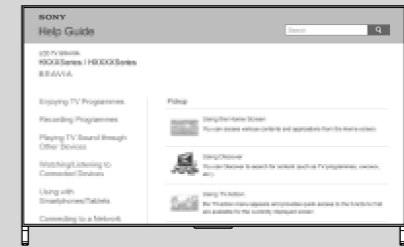
Internet connection wireless (A), wired (use category 7 LAN cable) (B). Refer to the manual supplied with the router for the router's settings.



Installation Do not bundle the mains lead together with other cables.



Turn on the TV and perform the initial setup.



http://rd1.sony.net/help/tv/ctw1/h_tw/

Help Guide : Information on how to use the TV's features. Available on both the TV and the Web.



http://rd1.sony.net/help/tv/cga2/h_ga/

Android TV Setup Guide : Available on the Web.