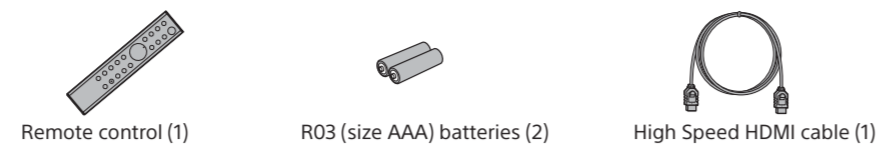




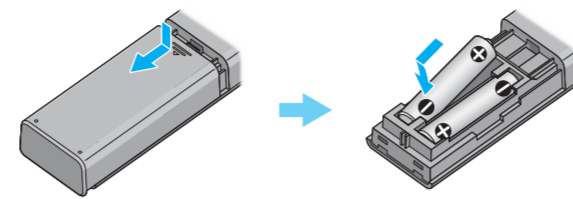
Home Theatre System Startup Guide

HT-RT3

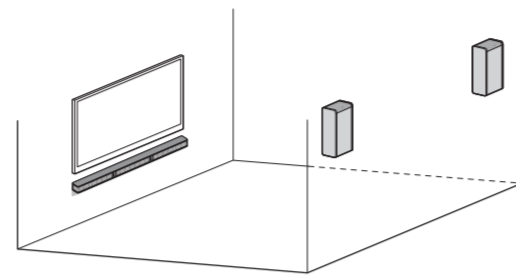
Supplied accessories



Setting up the remote control

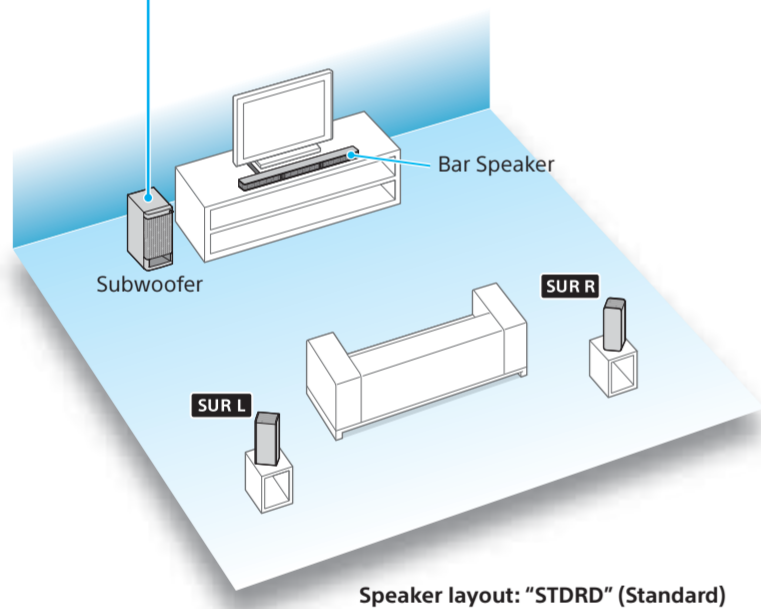
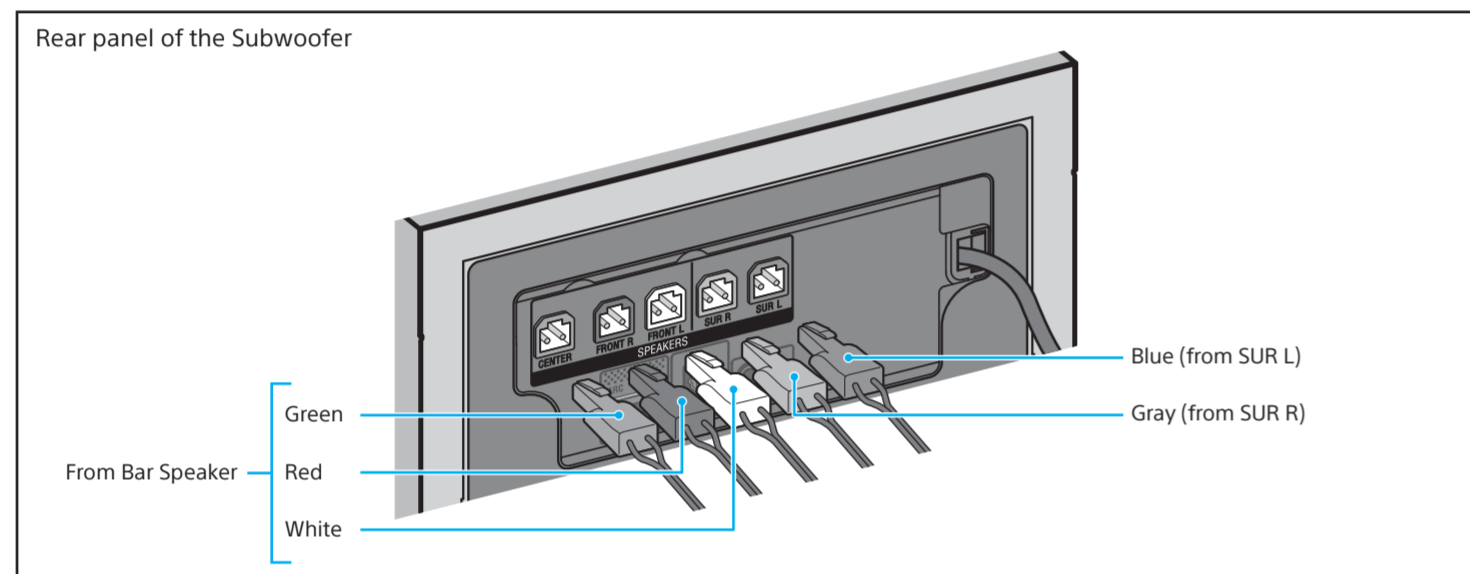


To mount the Bar Speaker and the Surround Speakers (SUR L/SUR R) on a wall
Refer to the supplied Operating Instructions.

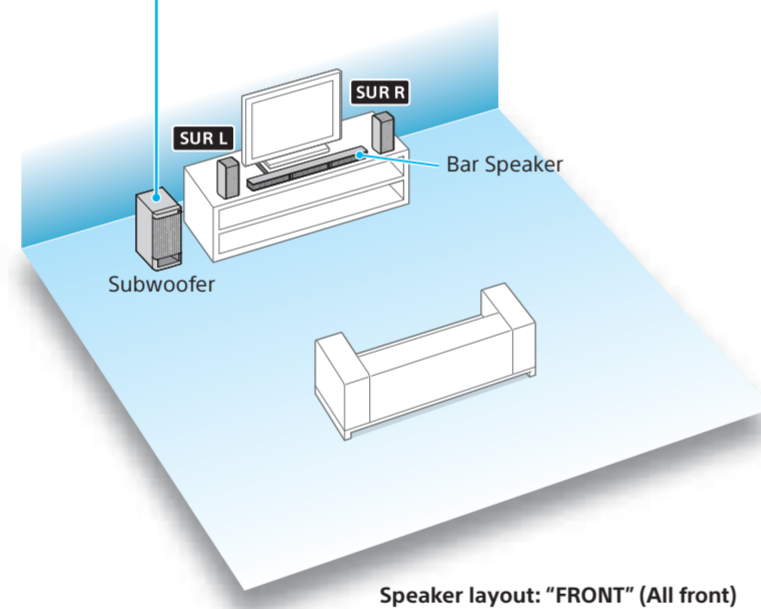


1 Connecting the speakers

Connect the speaker cords to match the color of the SPEAKERS jacks on the rear panel of the Subwoofer.



Speaker layout: "STDRD" (Standard)

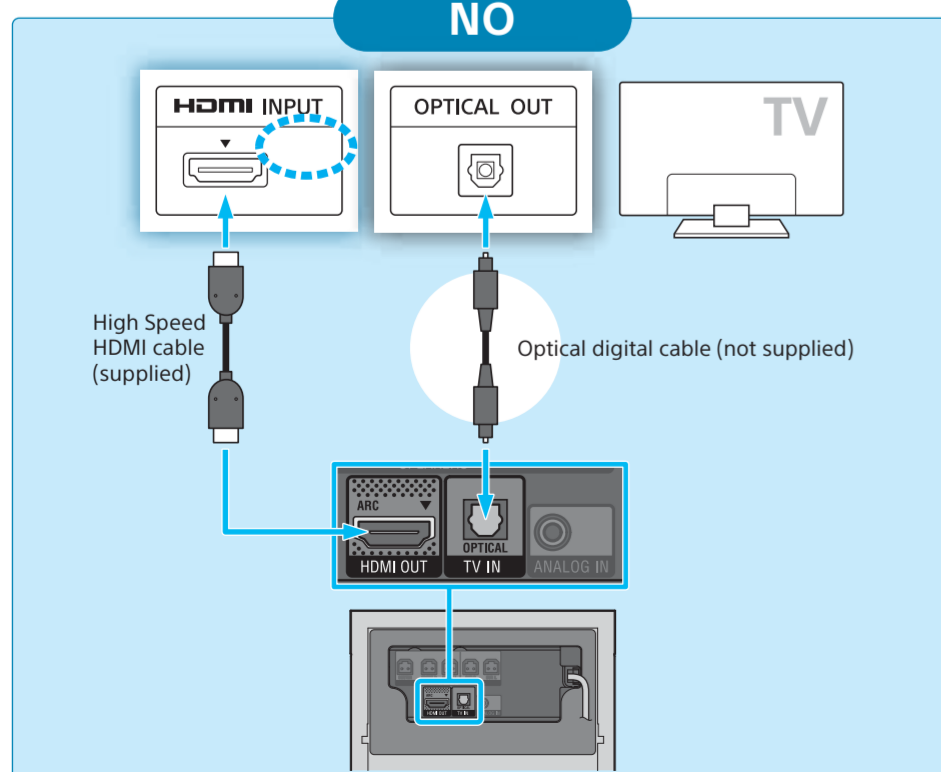


Speaker layout: "FRONT" (All front)

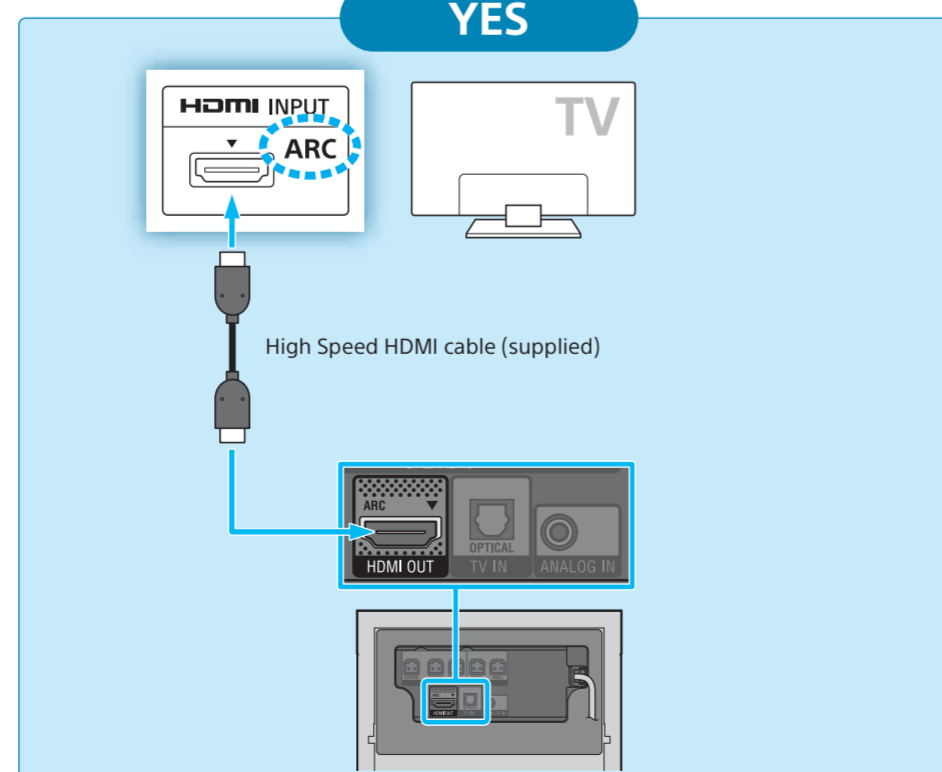
2 Connecting with a TV

Is the HDMI input jack on your TV labeled "ARC" ?

NO

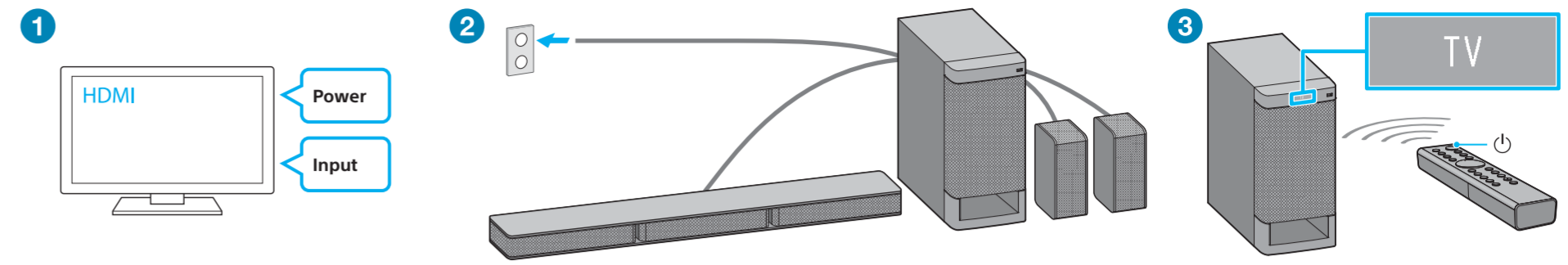


YES



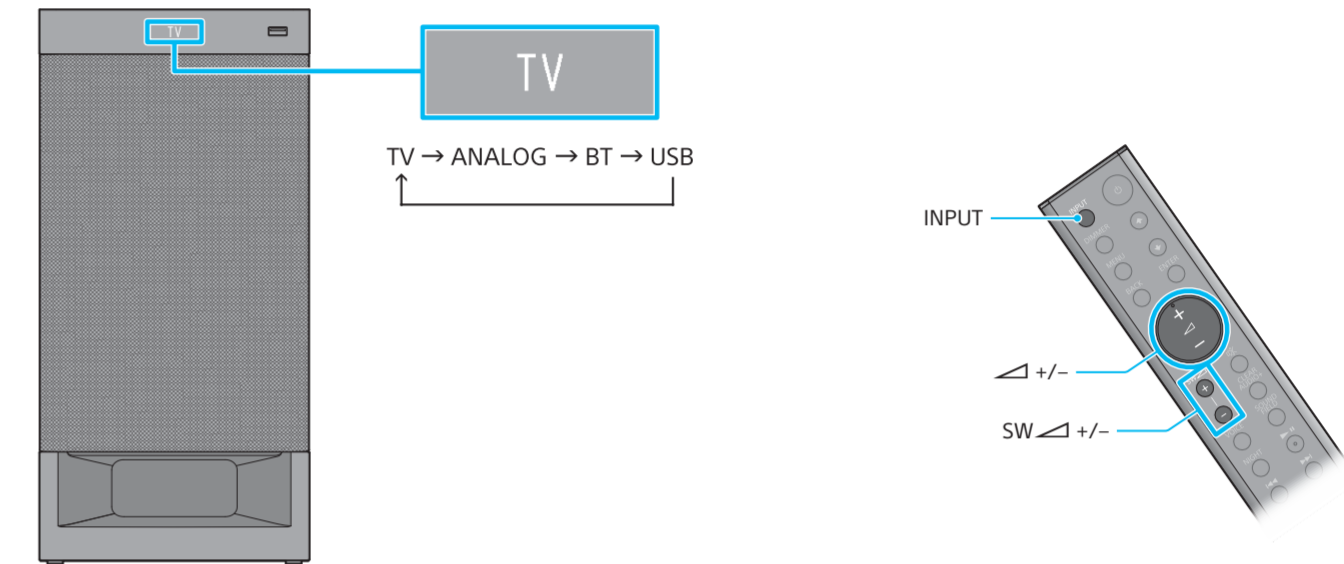
Note
Make sure that the HDMI cable is firmly inserted.

3 Turning on the system



- 1 Turn on the TV and then change the input of the TV to the input which the Subwoofer is connected.
- 2 Connect the AC power cord (mains lead) of the Subwoofer.
- 3 Press (power).
The front panel display lights up.

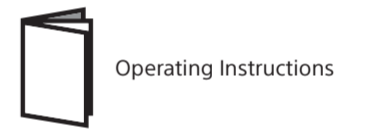
4 Listening to the sound



Press INPUT repeatedly until the device you want appears in the front panel display. Then, press +/- repeatedly to adjust the volume of the system and press SW +/- repeatedly to adjust the volume of the Subwoofer.

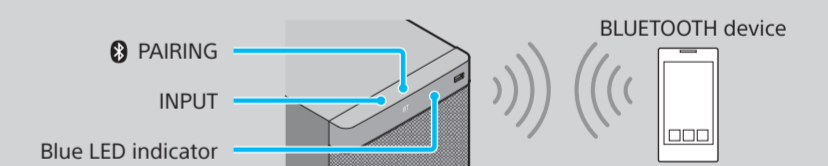
Setup completed! Enjoy!

Please refer to the supplied Operating Instructions about the sound mode, and other functions.



Listening to music from a BLUETOOTH device

When pairing a BLUETOOTH device



To pair the system with a BLUETOOTH device (Pairing)

- 1 Place the BLUETOOTH device within 1 meter from the Subwoofer.
- 2 Press PAIRING on the Subwoofer.
The blue LED indicator flashes quickly (••) during BLUETOOTH pairing.
- 3 Turn on the BLUETOOTH function, and then select "HT-RT3" after searching for it on the BLUETOOTH device.
Perform this step within 5 minutes, otherwise pairing mode will be canceled. When the BLUETOOTH connection is established, the blue LED indicator lights up (•). If passkey is required on the BLUETOOTH device, enter "0000".

To listen to music from the paired device

- 1 Turn the BLUETOOTH function of the paired device on.
- 2 Press INPUT repeatedly to select "BT".
The system automatically reconnects to the BLUETOOTH device it was most recently connected to. When the BLUETOOTH connection is established, the blue LED indicator lights up (•).
- 3 Start playback on the BLUETOOTH device.
- 4 Adjust the volume.

When using One-touch connection (NFC)



- 1 Hold the remote device near to the N-Mark on the Subwoofer until the remote device vibrates. When the BLUETOOTH connection is established, the blue LED indicator lights up (•).
- 2 Start playback of audio source on the remote device.
 - Compatible remote devices
 - Remote devices with a built-in NFC function (OS: Android™ 2.3.3 or later, excluding Android 3.x)



SongPal
A dedicated App for this model is available on both Google Play™ and App Store.
Search for "SongPal" and download the free App to find out more about the convenient features.